

\*\* 5" STRUCTURAL  
1/2" WEARING  
(MIN. @ FACE OF CURB AT  
MIDSPAN BEAM 1 &  
MIDSPAN BEAM 8)

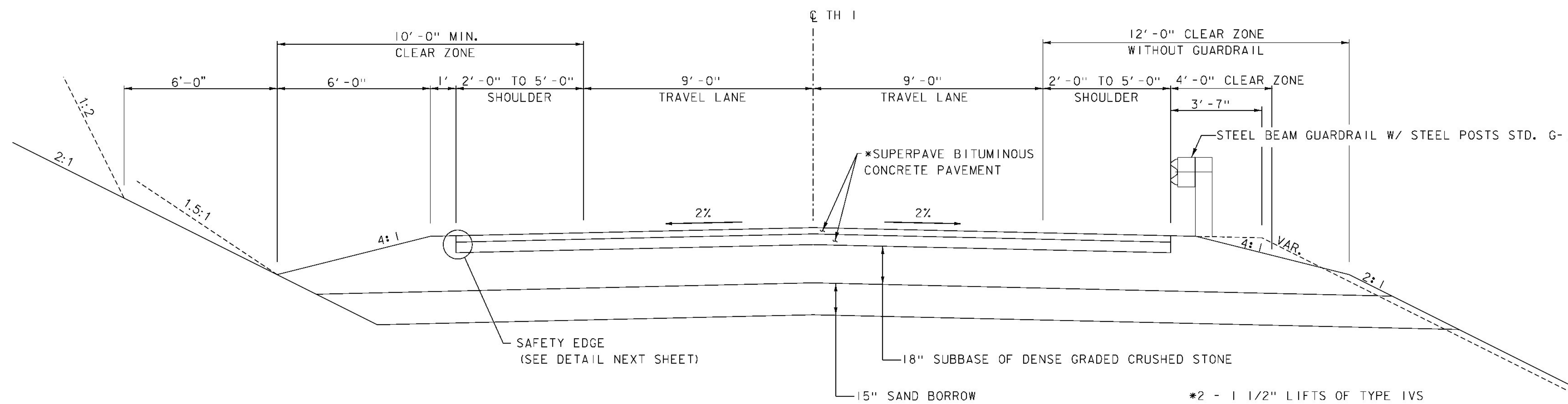
**BRIDGE TYPICAL**

SCALE 3/8" = 1'-0"  
1 0 1 2 3 4

**NOTES**

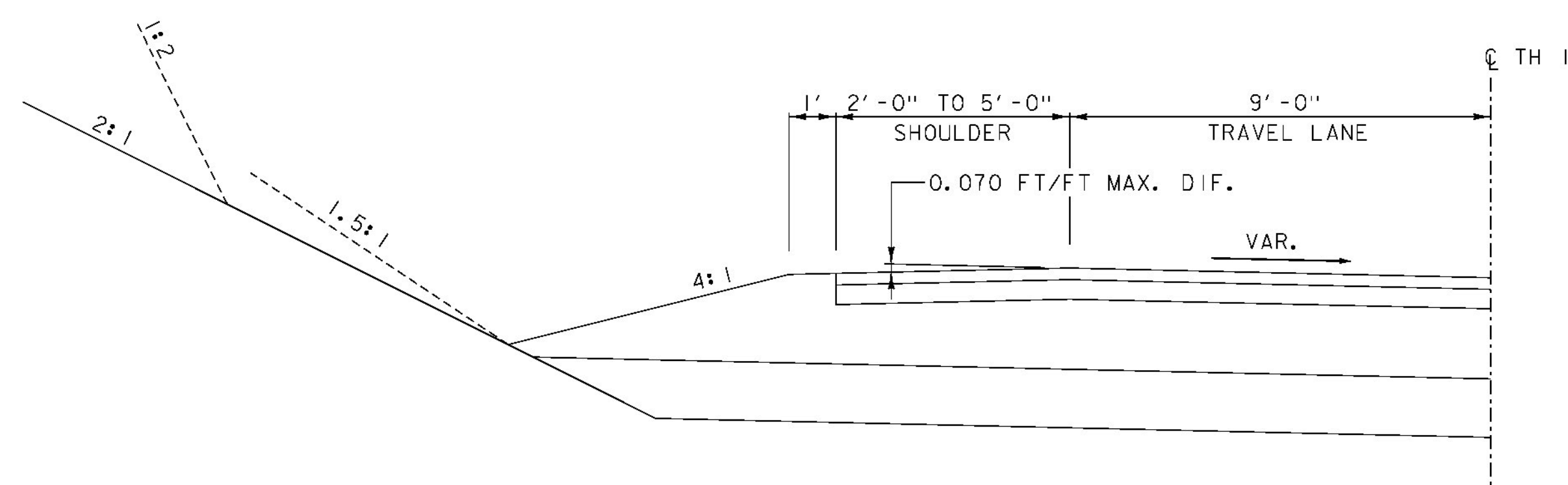
MARKER POSTS: TO BE PLACED AS INDICATED OR AS DIRECTED BY THE ENGINEER, ITEM 619.16 STEEL MARKER POSTS.  
SLOPE ROUNDING: ALL CUT SLOPES TO BE ROUNDED IN ACCORDANCE WITH STANDARD SHEET B - 5.  
TACK COAT: EMULSIFIED ASPHALT IS TO BE APPLIED AT THE RATE OF 0.015 GAL/SY ON ALL COLD PLANED SURFACES AND BETWEEN SUCCESSIVE COURSES OF PAVEMENT AS DIRECTED BY THE ENGINEER.

MATERIAL ITEM	THICKNESS TOLERANCE
PAVEMENT (TOTAL DEPTH)	+/- 1/4"
SUBBASE	+/- 1"
SAND BORROW	+/- 1"



**ROADWAY TYPICAL SECTION**

SCALE 3/8" = 1'-0"  
1 0 1 2 3 4



**HIGH SIDE OF BANKED SECTION**

SCALE 3/8" = 1'-0"  
1 0 1 2 3 4

PROJECT NAME: LINCOLN  
PROJECT NUMBER: BRF 0188 (8)

**PB** PARSONS BRINCKERHOFF  
650 ELM STREET  
MANCHESTER, NH 03101

FILE NAME: z10j066+yp.dgn  
PROJECT I FADFR: G.K. DONINGTON  
DESIGNED BY: P. ARMANO  
TYPICAL SECTIONS (1)

PLOT DATE: 8-DEC-2014  
DRAWN BY: W. GERHOLD  
CHECKED BY: A. STOCKIN  
SHEET 3 OF 62