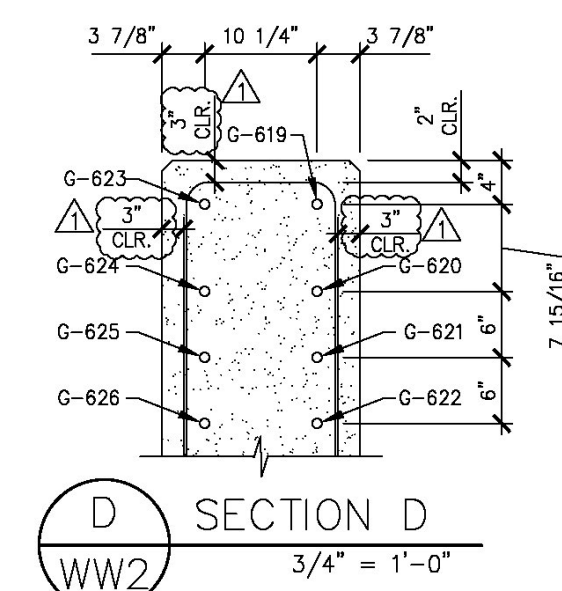
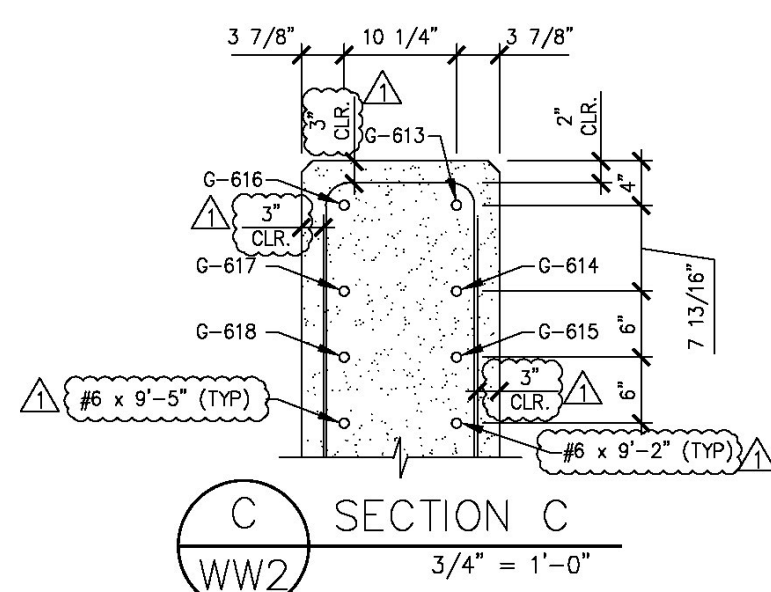
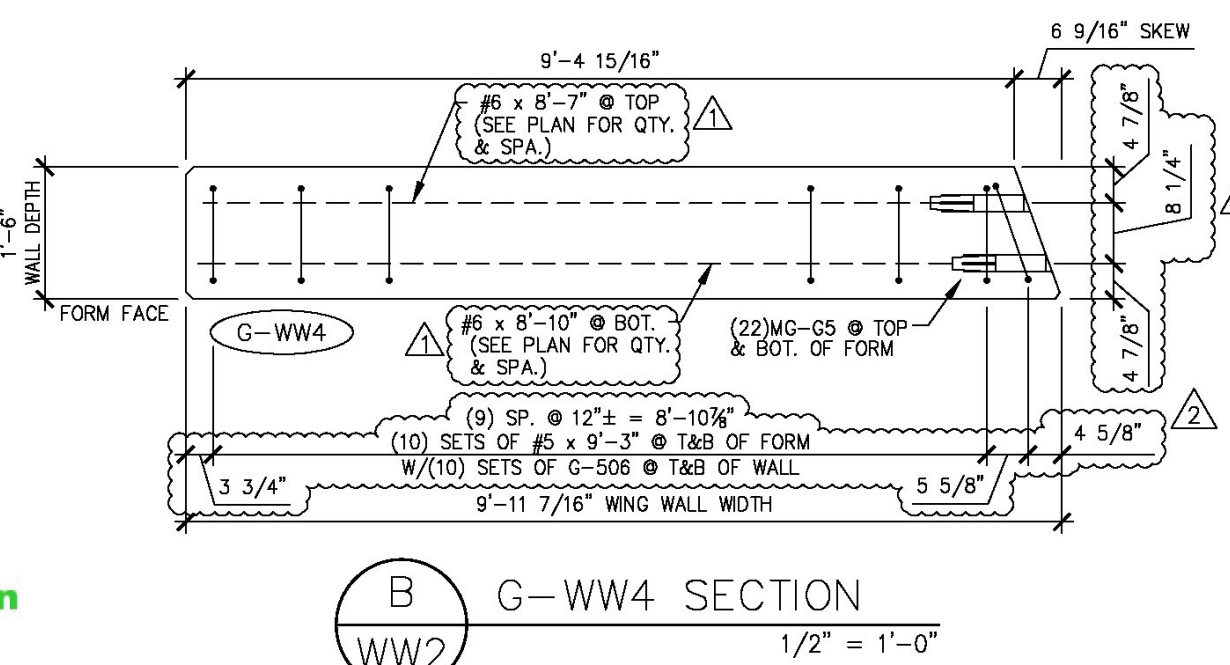
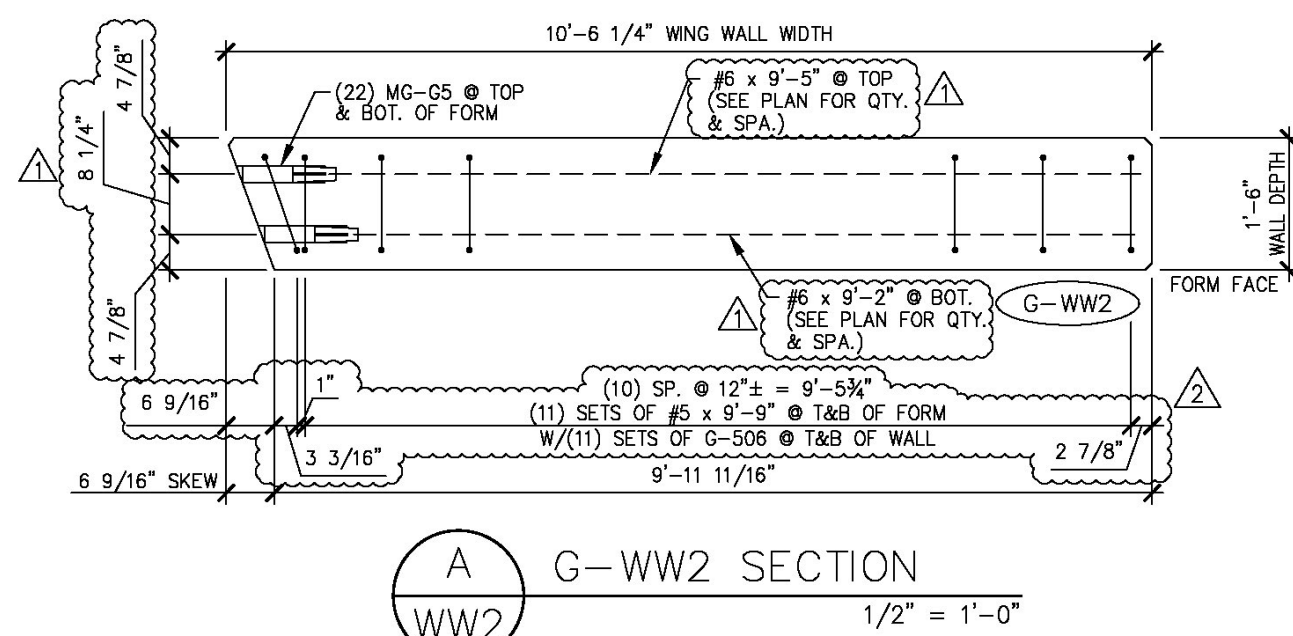
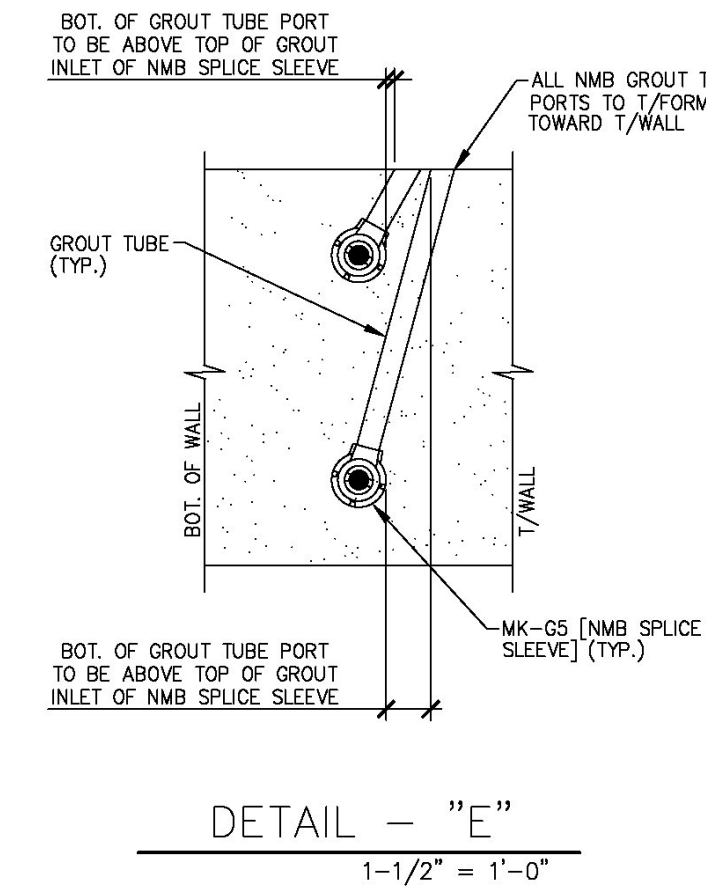
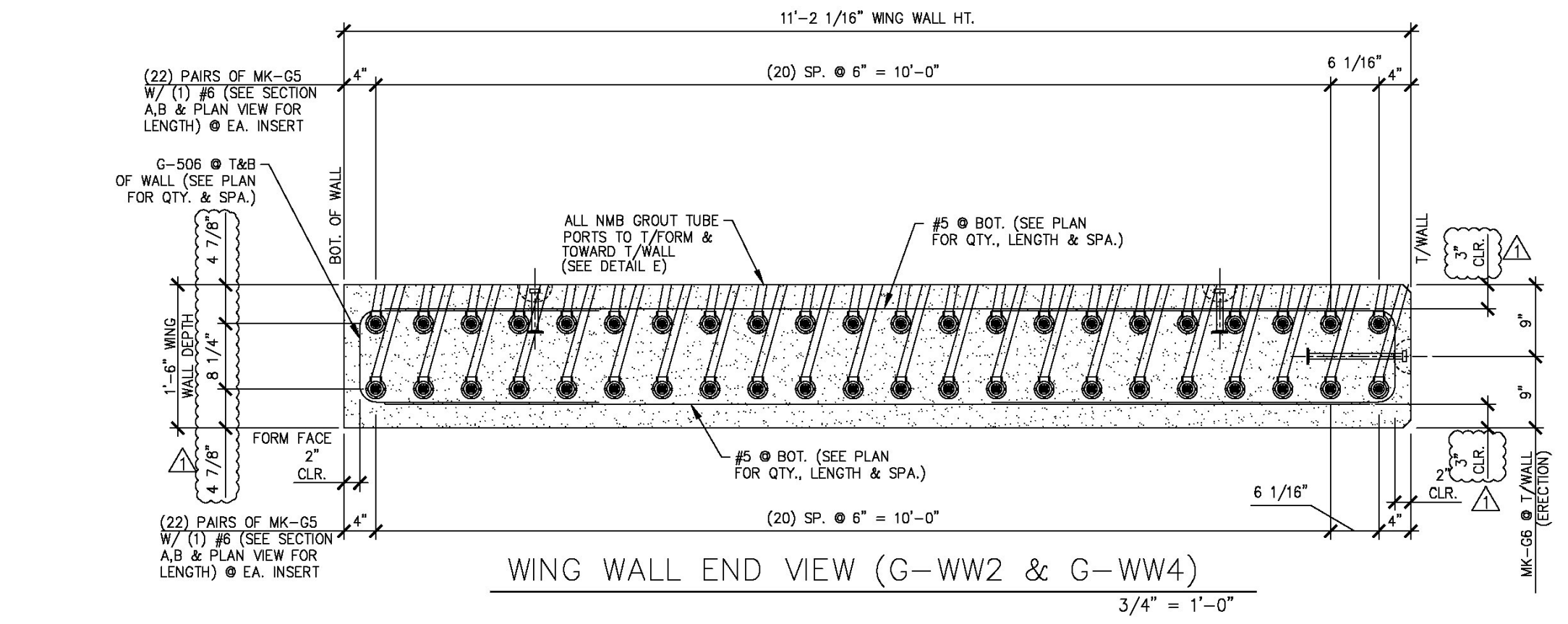
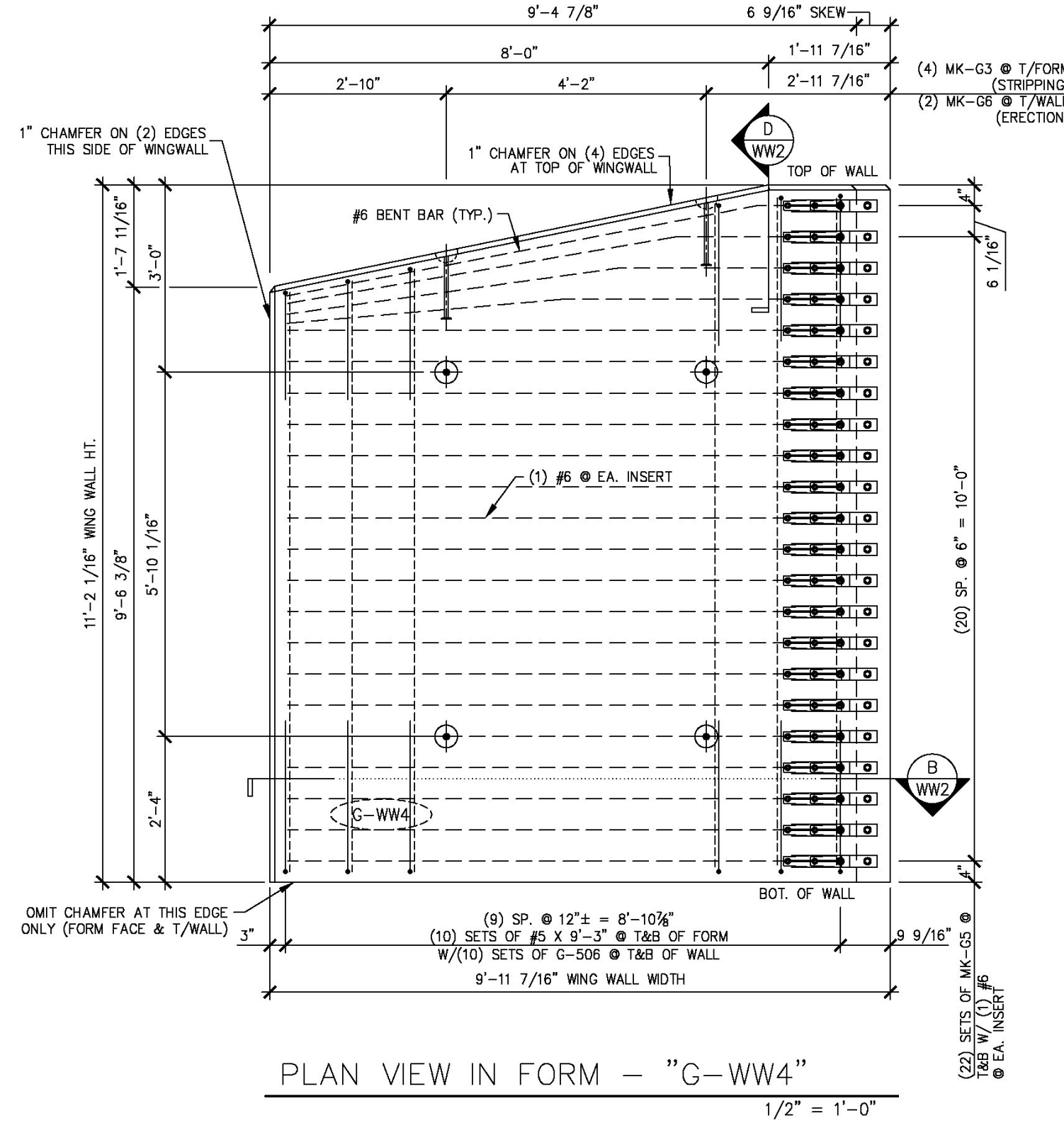
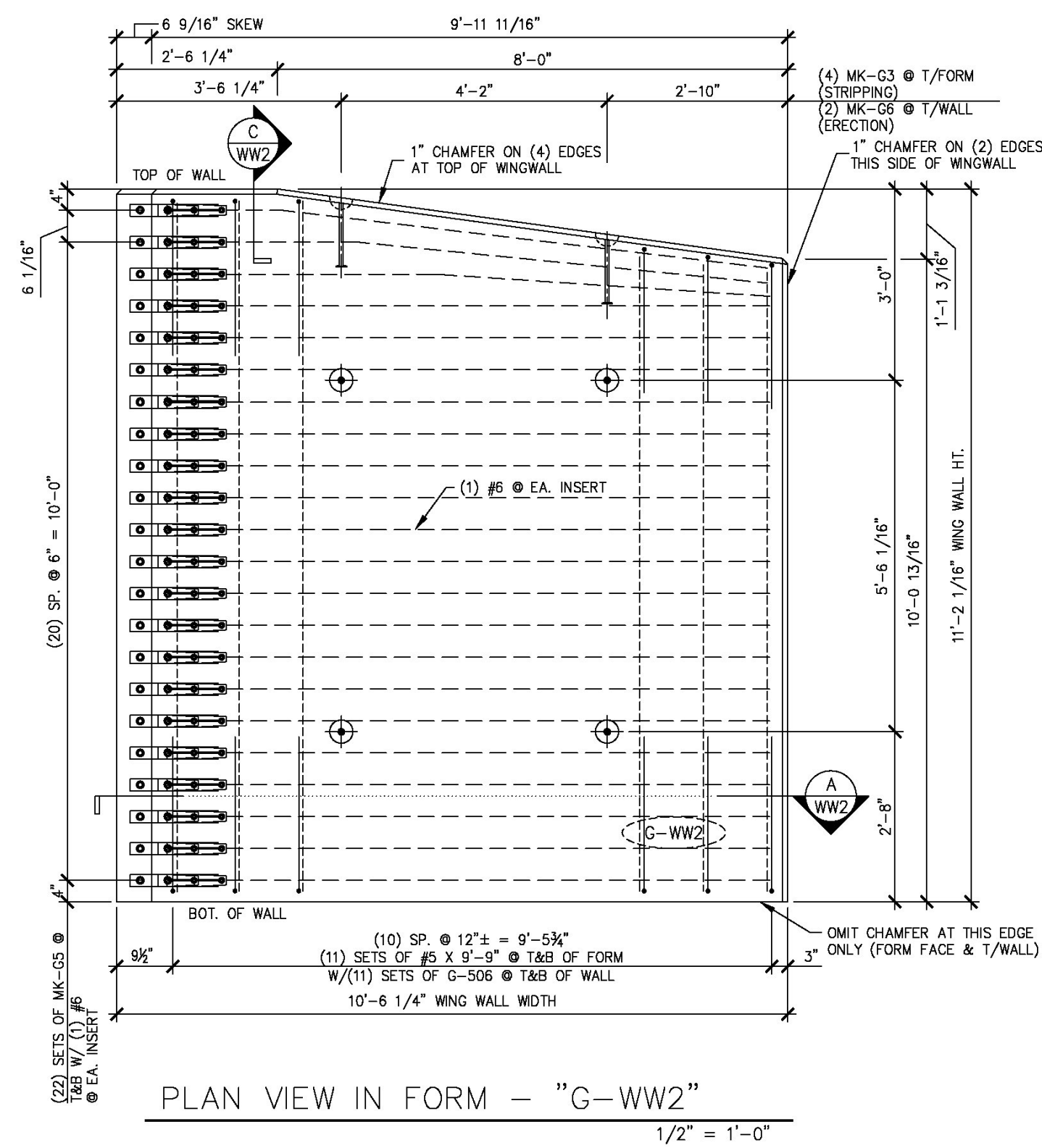


S:\Engineering Services\Carrera\14001 - Guilford Bridge 651\Production Drawings\AutoCAD Files\144236-WW1.dwg, 5/6/2014 4:44:43 PM, DWG To PDF.pc3



SHOP NOTE:
ALL EDGES OF WING WALLS,
FORM FACE & T/WALL FACE,
SHALL RECEIVE A 1" CHAMFER
(UNLESS NOTED OTHERWISE)

4-7-14 REVISED AS NOTED
5-6-14 REVISED AS NOTED

MARK:	G-WW2	QTY.:	1	WT.:	12.42 T	VOL.:	6.13 cy
MARK:	G-WW4	QTY.:	1	WT.:	11.49 T	VOL.:	5.68 cy

MATERIAL LIST / WING WALL				
ITEM	MARK	DESCRIPTION	QTY./WING WALL	
			G-WW2	G-WW4
1	G-506	#5 BENT BAR	24	22
2	G-613	#6 BENT BAR	1	0
3	G-614	#6 BENT BAR	1	0
4	G-615	#6 BENT BAR	1	0
5	G-616	#6 BENT BAR	1	0
6	G-617	#6 BENT BAR	1	0
7	G-618	#6 BENT BAR	1	0
8	G-619	#6 BENT BAR	0	1
9	G-620	#6 BENT BAR	0	1
10	G-621	#6 BENT BAR	0	1
11	G-622	#6 BENT BAR	0	1
12	G-623	#6 BENT BAR	0	1
13	G-624	#6 BENT BAR	0	1
14	G-625	#6 BENT BAR	0	1
15	G-626	#6 BENT BAR	0	1
16				
17		#5 x 9'-3"	0	22
18		#5 x 9'-9"	24	0
19				
20				
21				
22		#6 x 8'-2"	0	18
23		#6 x 8'-10"	0	18
24		#6 x 9'-2"	19	0
25		#6 x 9'-5"	19	0
26				
27	MK-G3	4T x 9 1/2" SWIFT LIFT LIFTER	4	4
28	MK-G5	NMB SPLICE SLEEVE 6U-X(PC)	44	44
29	MK-G6	20T x 19 3/4" SWIFT LIFT LIFTER	2	2

Vermont Agency of Transportation
RECEIVED
CK'D BY MJC OK'D BY TAS
June 18, 2014
RESUBMIT No Approved
BY M. J. Chenette DATE 06/19/2014

SHOP DRAWING REVIEW

REVIEWED AS REQUIRED BY THE CONSTRUCTION CONTRACT DOCUMENTS AND APPROVED, BUT ONLY FOR CONFORMANCE TO THE DESIGN CONCEPT OF THE WORK, AND SUBJECT TO FURTHER LIMITATIONS AND REQUIREMENTS CONTAINED IN THE CONSTRUCTION CONTRACT DOCUMENTS.

REJECTED REVISE AND RESUBMIT FURNISH AS CORRECTED

CORRECTIONS OR COMMENTS MADE ON THE SHOP DRAWINGS DURING THIS REVIEW DO NOT RELIEVE CONTRACTOR FROM COMPLIANCE WITH REQUIREMENTS OF THE DRAWINGS AND SPECIFICATIONS. THIS CHECK IS ONLY FOR REVIEW OF GENERAL CONFORMANCE WITH THE DESIGN CONCEPT OF THE PROJECT AND GENERAL COMPLIANCE WITH THE INFORMATION GIVEN IN THE CONTRACT DOCUMENTS. THE CONTRACTOR IS RESPONSIBLE FOR CONFIRMING AND CORRELATING ALL QUANTITIES AND DIMENSIONS, SELECTING FABRICATION PROCESSES AND TECHNIQUES OF CONSTRUCTION, COORDINATING HIS WORK WITH THAT OF ALL OTHER TRADES, AND PERFORMING HIS WORK IN A SAFE AND SATISFACTORY MANNER.

Vanasse Hangen Brustlin, Inc.
7056 US Route 7
North Ferrisburgh, VT 05473
802.425.7788

Job Number: 57427 00
Reviewed By: S.E. Burbank
Date: 06/19/2014

Eriksson technologies
813.989.3317
TAMPA, FL LRF.D.COM
© 2014 ERIKSSON TECHNOLOGIES, INC. ALL RIGHTS RESERVED

APPROVAL STAMP:

J.P. CARRARA & SONS INC.
Precast & Prestress Manufacturer N.T.S.
2464 OASE STR, MIDDLEBURY, VERMONT 05753 Phone:(802)388-6361 Fax:(802)388-9010

STATE OF VERMONT AGENCY OF TRANSPORTATION
COUNTY OF WINDHAM

TOWN OF GUILFORD
ROUTE NO. T.H.10, CLASS III (LOCAL ROAD)
BRIDGE NO.: 65 PROJECT NO.: BRO 1442 (36)

PRECAST WING WALL DETAILS

DATE: MAR. 04, 2014
SCALE: NOTED

CHKD: JJ/KLT DFTM:AA1/RWS
JOB NO: 23420-014

DWG. NO: WW2