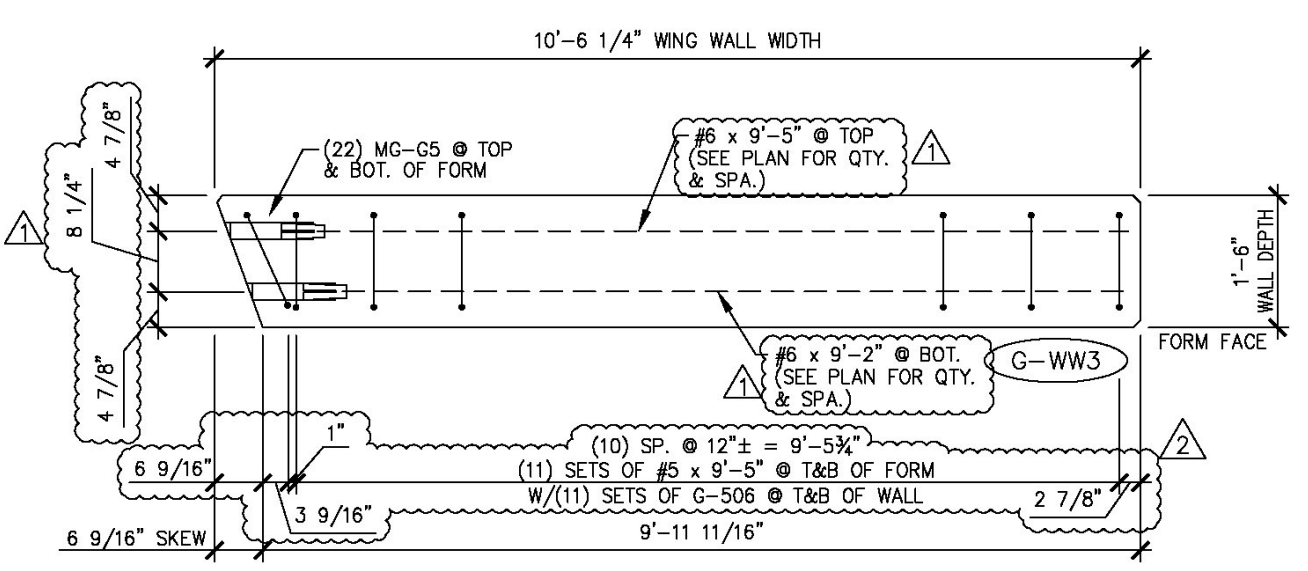
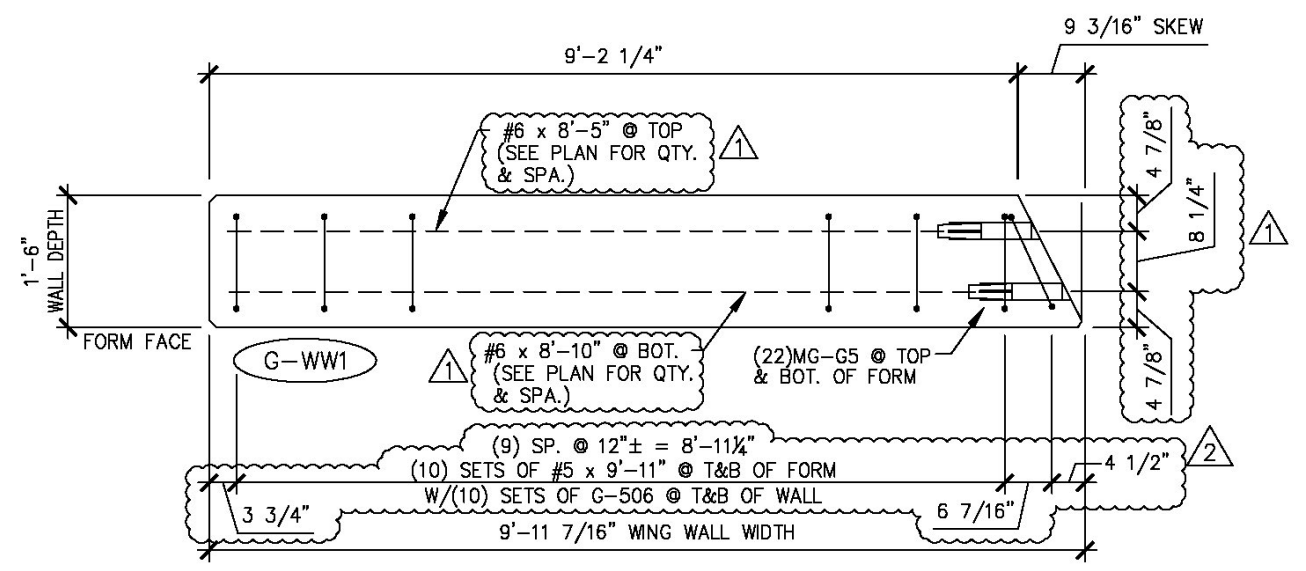
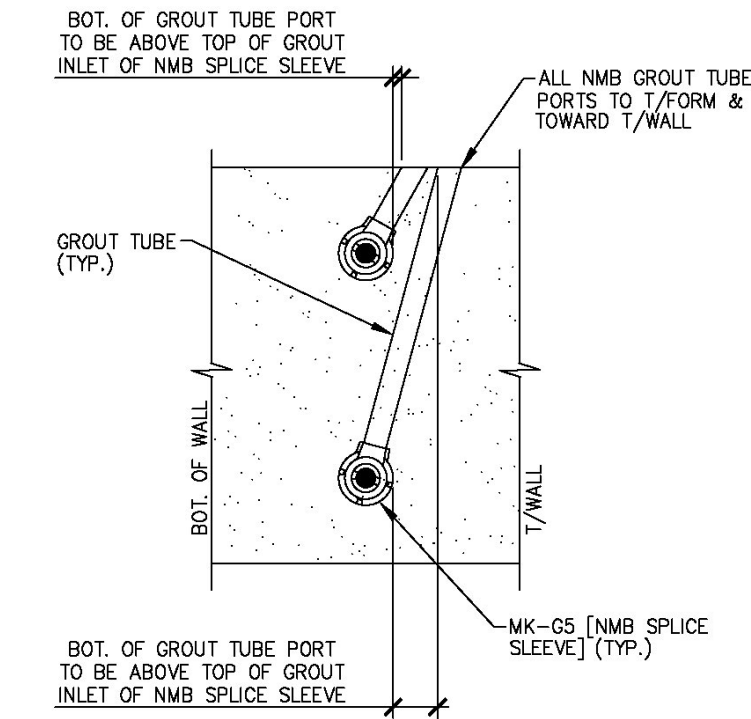
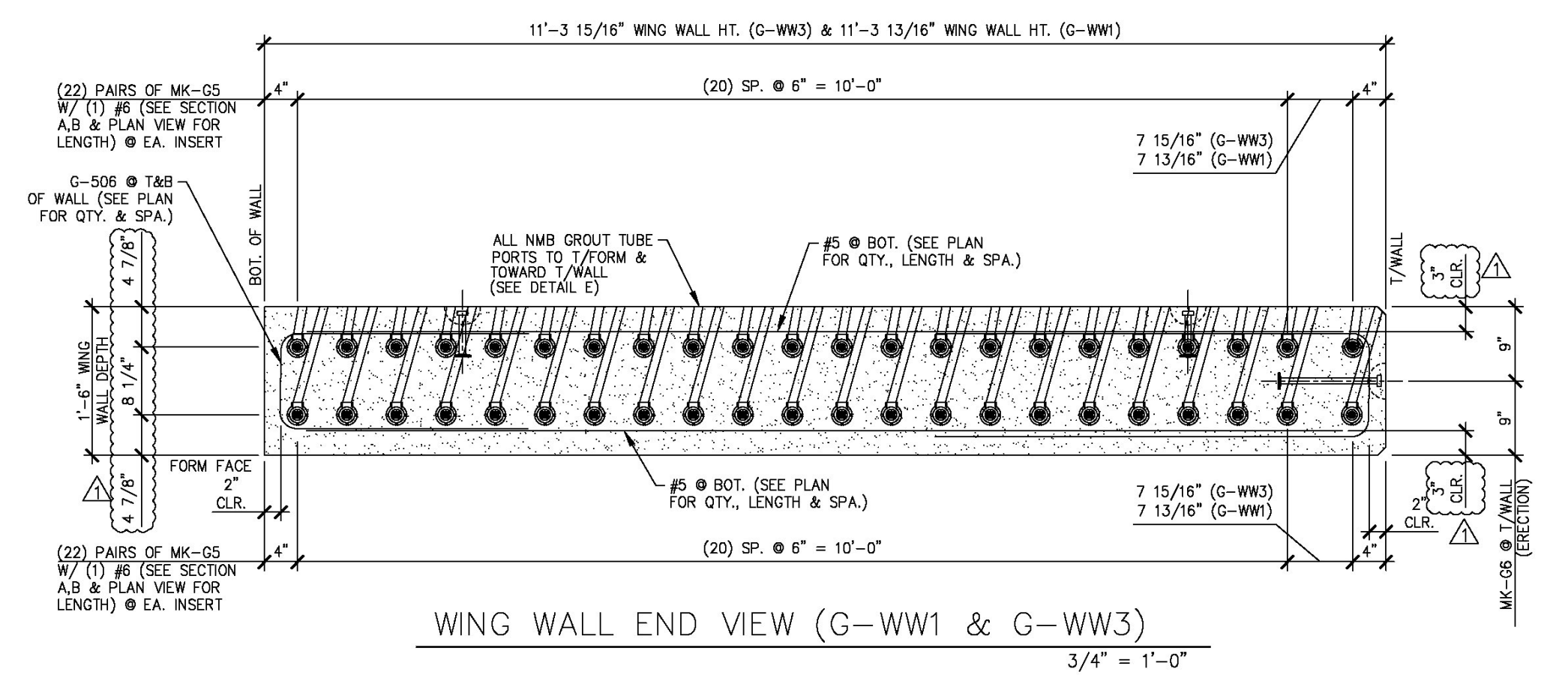
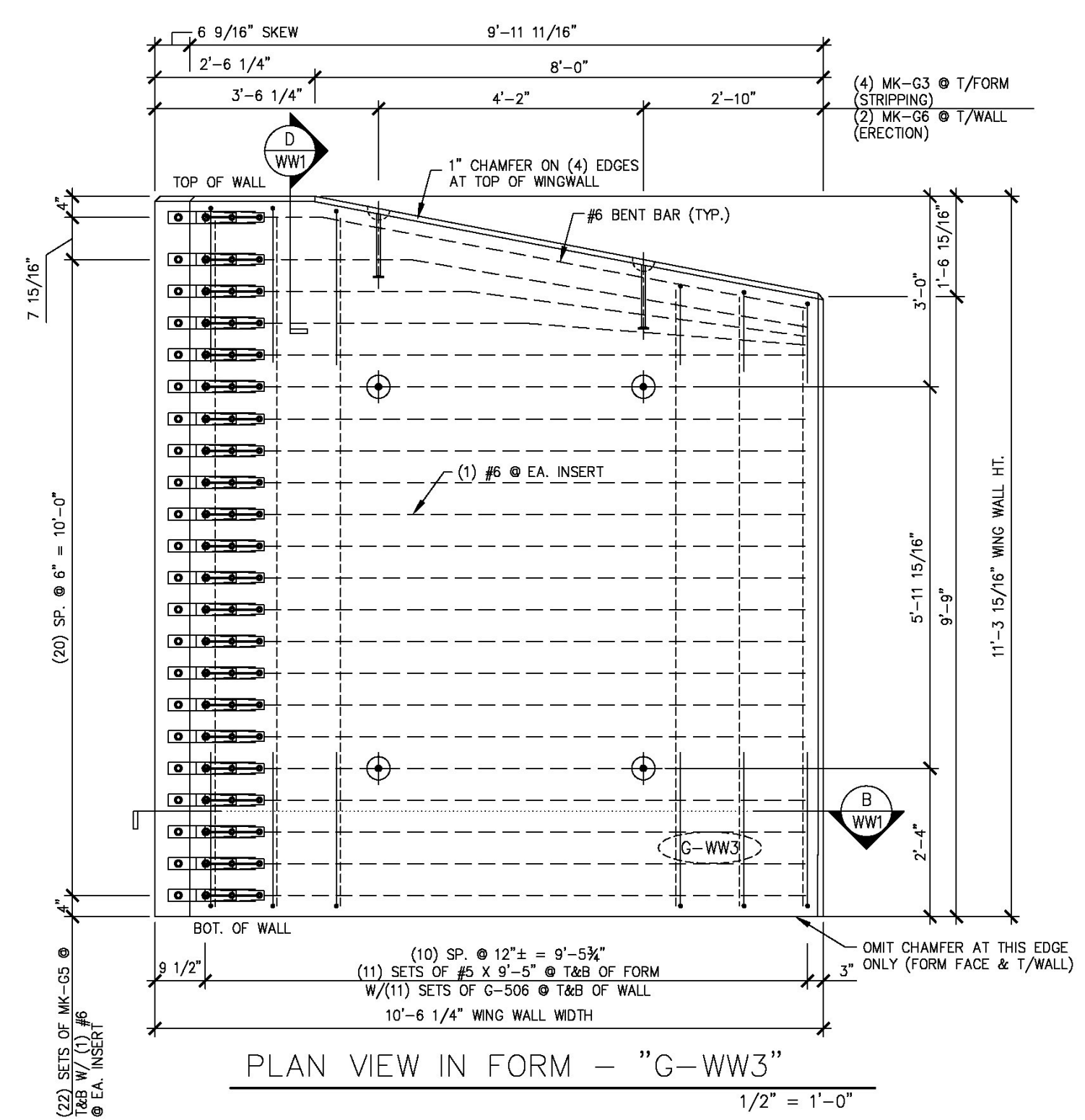
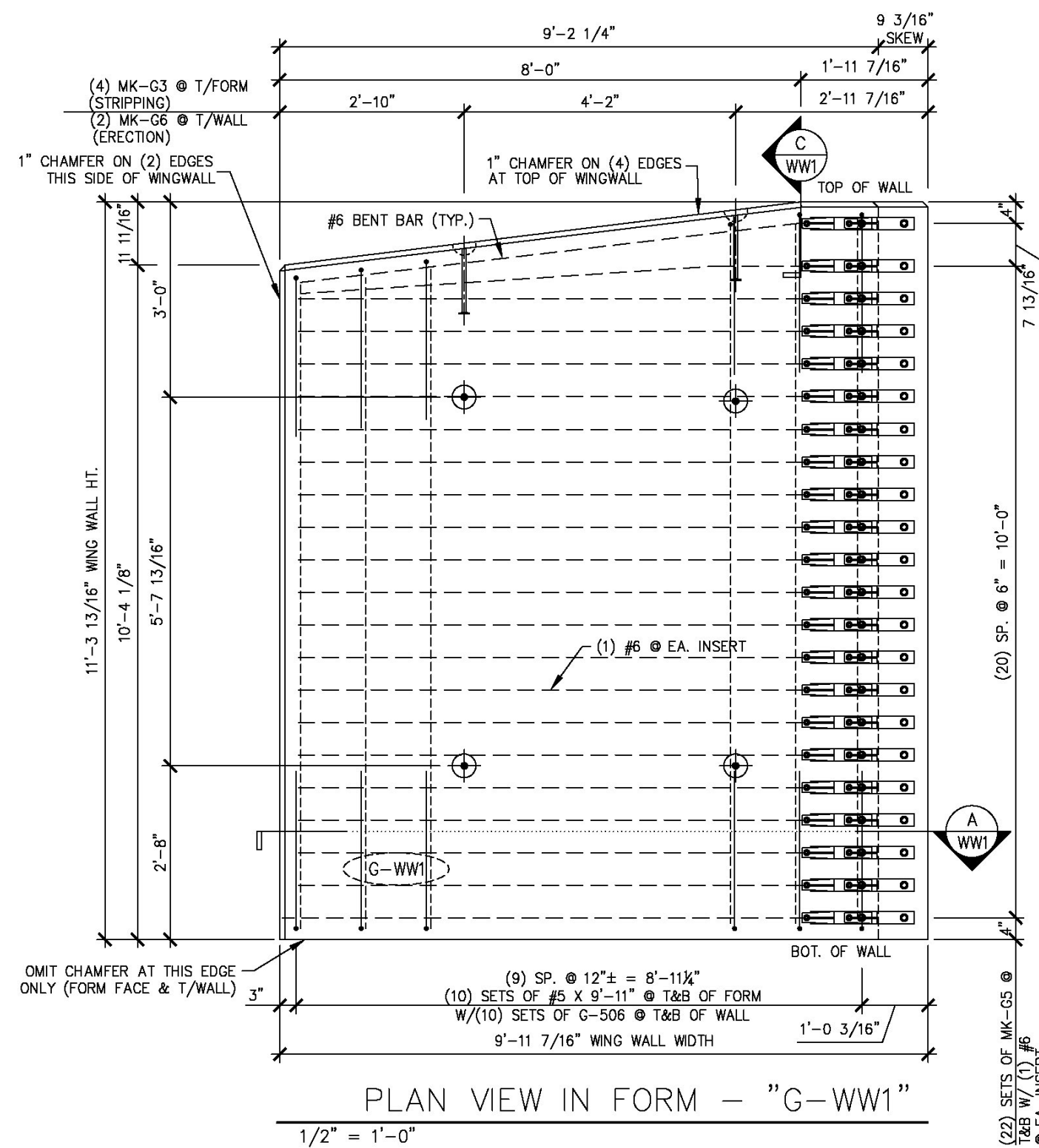
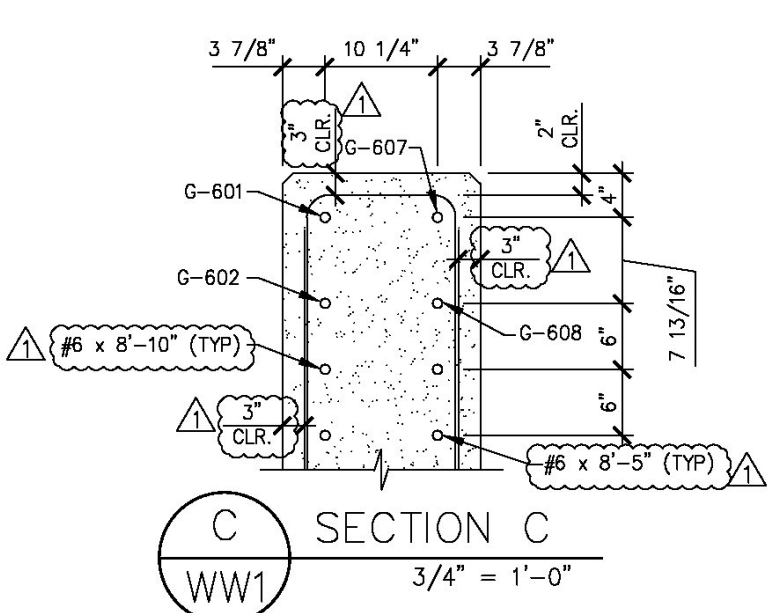


S:\Engineering\Drawings\Production\Drawings\AutoCAD Files\144236-WW1.dwg, 5/6/2014 4:44:42 PM, DWG To PDF.pc3

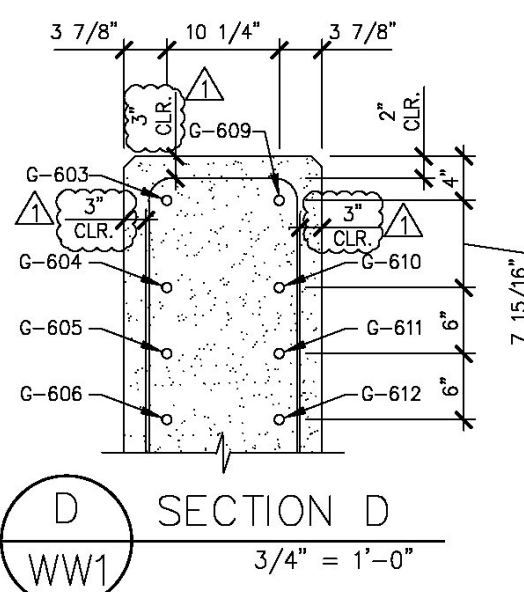


A G-WW1 SECTION  
1/2" = 1'-0"

B G-WW3 SECTION  
1/2" = 1'-0"



C SECTION C  
3/4" = 1'-0"



D SECTION D  
3/4" = 1'-0"

Vermont Agency of Transportation  
**RECEIVED**  
CK'D BY MJC OK'D BY TAS  
June 18, 2014  
RESUBMIT No Approved  
BY M. J. Chenette DATE 06/19/2014

**SHOP DRAWING REVIEW**

REVIEWED AS REQUIRED BY THE CONSTRUCTION CONTRACT DOCUMENTS AND APPROVED, BUT ONLY FOR REVIEW OF THE DESIGN CONCEPT OF THE WORK, AND SUBJECT TO FURTHER LIMITATIONS AND REQUIREMENTS CONTAINED IN THE CONSTRUCTION CONTRACT DOCUMENTS

REJECTED  REVISE AND RESUBMIT  FURNISH AS CORRECTED

CORRECTIONS OR COMMENTS MADE ON THE SHOP DRAWINGS DURING THIS REVIEW DO NOT RELIEVE CONTRACTOR FROM COMPLIANCE WITH REQUIREMENTS OF THE DRAWINGS AND SPECIFICATIONS. THIS CHECK IS ONLY FOR REVIEW OF GENERAL CONFORMANCE WITH THE DESIGN CONCEPT OF THE PROJECT AND GENERAL COMPLIANCE WITH THE INFORMATION GIVEN IN THE CONTRACT DOCUMENTS. THE CONTRACTOR IS RESPONSIBLE FOR CONFIRMING AND CORRELATING ALL QUANTITIES AND DIMENSIONS, SELECTING FABRICATION PROCESSES AND TECHNIQUES OF CONSTRUCTION, COORDINATING HIS WORK WITH THAT OF ALL OTHER TRADES, AND PERFORMING HIS WORK IN A SAFE AND SATISFACTORY MANNER.

**Vanasse Hangen Brustlin, Inc.**  
7056 US Route 7  
North Ferrisburgh, VT 05473  
802.425.7788

Job Number: 57427.00  
Reviewed By: S.E. Burbank  
Date: 06/19/2014

SHOP NOTE:  
ALL EDGES OF WING WALLS, FORM FACE & T/WALL FACE, SHALL RECEIVE A 1" CHAMFER (UNLESS NOTED OTHERWISE)

4-7-14 REVISED AS NOTED  
5-6-14 REVISED AS NOTED

MARK:	G-WW1	QTY.:	1	WT.:	11.81 T	VOL.:	5.84 cy
MARK:	G-WW3	QTY.:	1	WT.:	12.39 T	VOL.:	6.12 cy
MATERIAL LIST / WING WALL							
ITEM	MARK	DESCRIPTION	QTY./WING WALL				
			G-WW1	G-WW3			
1	G-506	#6 BENT BAR	22	24			
2	G-601	#6 BENT BAR	1	0			
3	G-602	#6 BENT BAR	1	0			
4	G-603	#6 BENT BAR	0	1			
5	G-604	#6 BENT BAR	0	1			
6	G-605	#6 BENT BAR	0	1			
7	G-606	#6 BENT BAR	0	1			
8	G-607	#6 BENT BAR	1	0			
9	G-608	#6 BENT BAR	1	0			
10	G-609	#6 BENT BAR	0	1			
11	G-610	#6 BENT BAR	0	1			
12	G-611	#6 BENT BAR	0	1			
13	G-612	#6 BENT BAR	0	1			
14							
15		#5 x 9'-5"	0	24			
16		#5 x 9'-11"	22	0			
17							
18		#6 x 8'-5"	20	0			
19		#6 x 8'-10"	20	0			
20		#6 x 9'-2"	0	18			
21		#6 x 9'-5"	0	18			
22							
23							
24	MK-G3	4T x 9 1/2" SWIFT LIFT LIFTER	4	4			
26	MK-G5	NMB SPLICE SLEEVE 6U-X(PC)	44	44			
27	MK-G6	20T x 19 3/4" SWIFT LIFT LIFTER	2	2			

APPROVAL STAMP:

**J.P. CARRARA & SONS INC.**  
Precast & Prestress Manufacturer N.T.S.  
244 CASE STR. MIDDLEBURY, VERMONT 05753 Phone:(802)388-6361 Fax:(802)388-9010

STATE OF VERMONT AGENCY OF TRANSPORTATION  
COUNTY OF WINDHAM

TOWN OF GUILFORD  
ROUTE NO. T.H.10, CLASS III (LOCAL ROAD)  
BRIDGE NO.: 65 PROJECT NO.: BRO 1442 (36)

DATE: MAR. 04, 2014  
SCALE: NOTED  
CHKD: JJ/KLT DFTM:AA1/RWS  
JOB NO: 23420-014  
DWG. NO: WW1

**Eriksson technologies**  
813.989.3317  
TAMPA, FL LRF.D.COM  
© 2014 ERIKSSON TECHNOLOGIES, INC. ALL RIGHTS RESERVED