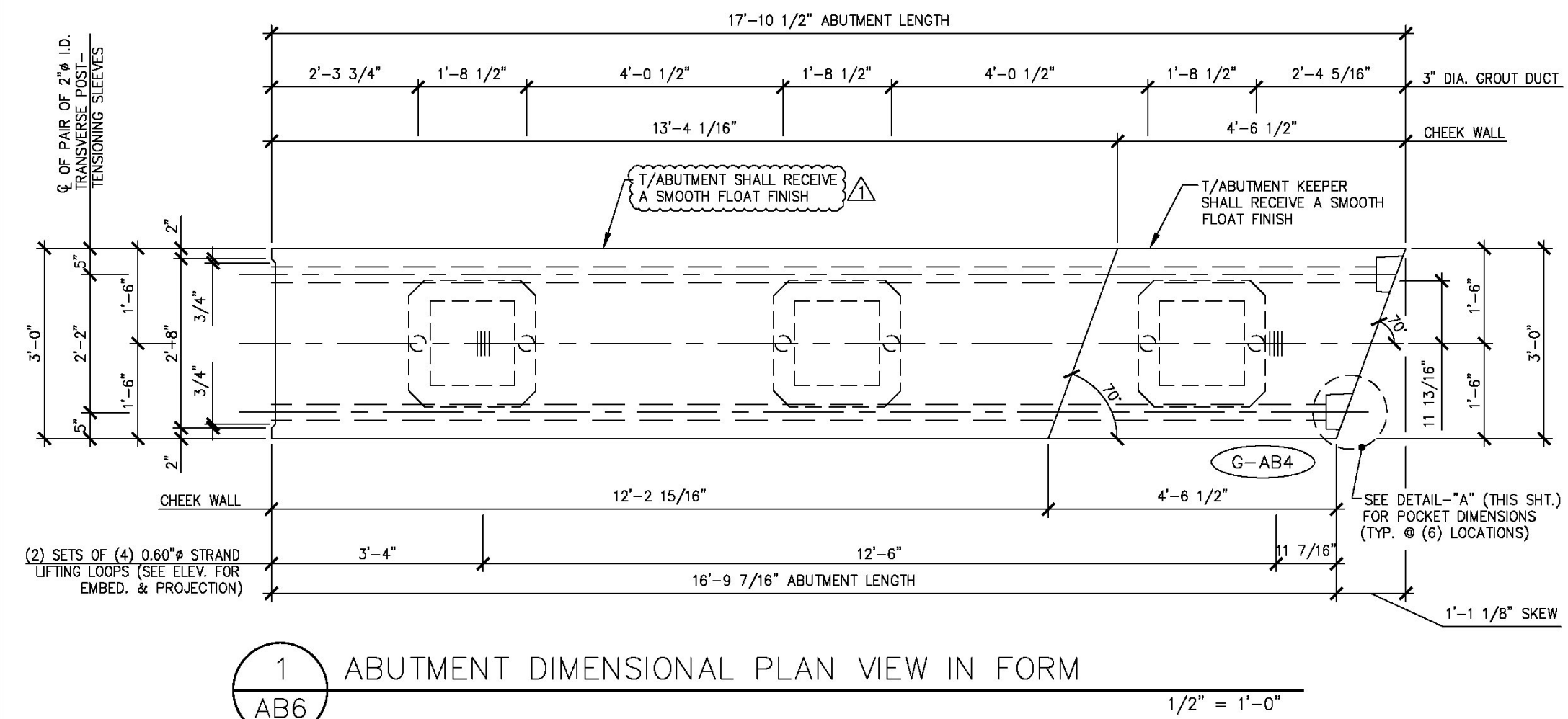
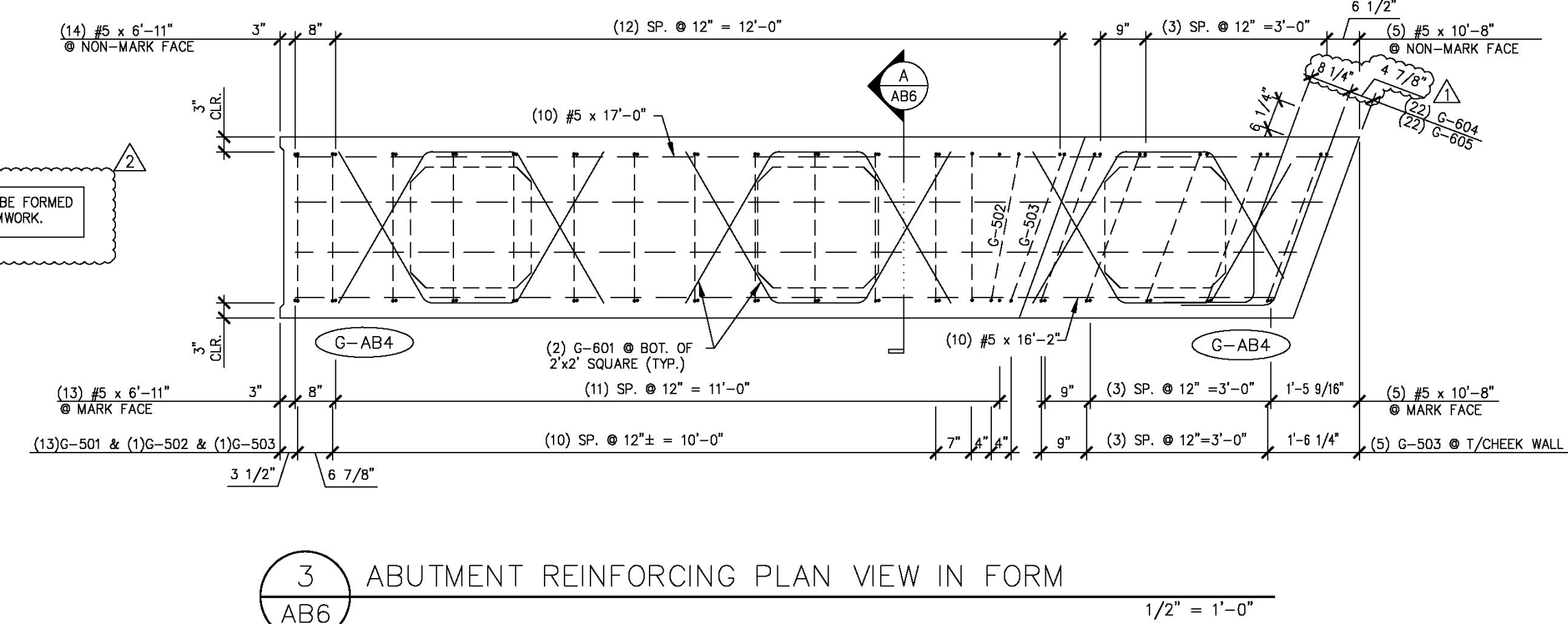


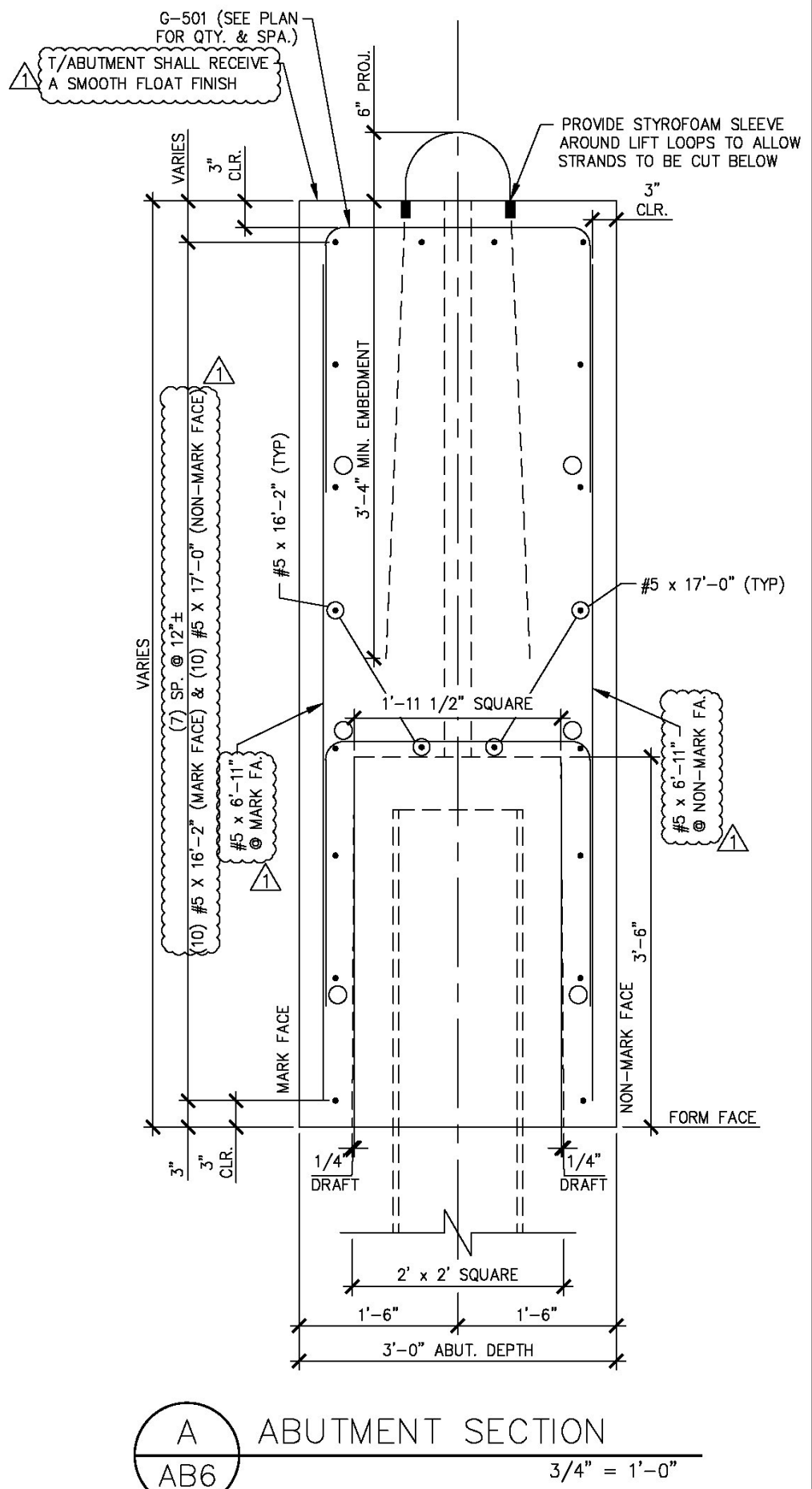
S:\Engineering Services\Carrara\14001 - Guilford Bridge 65\Production Drawings\AutoCAD Files\144236-AB.dwg, 5/16/2014 4:44:39 PM, DWG To PDF.pc3



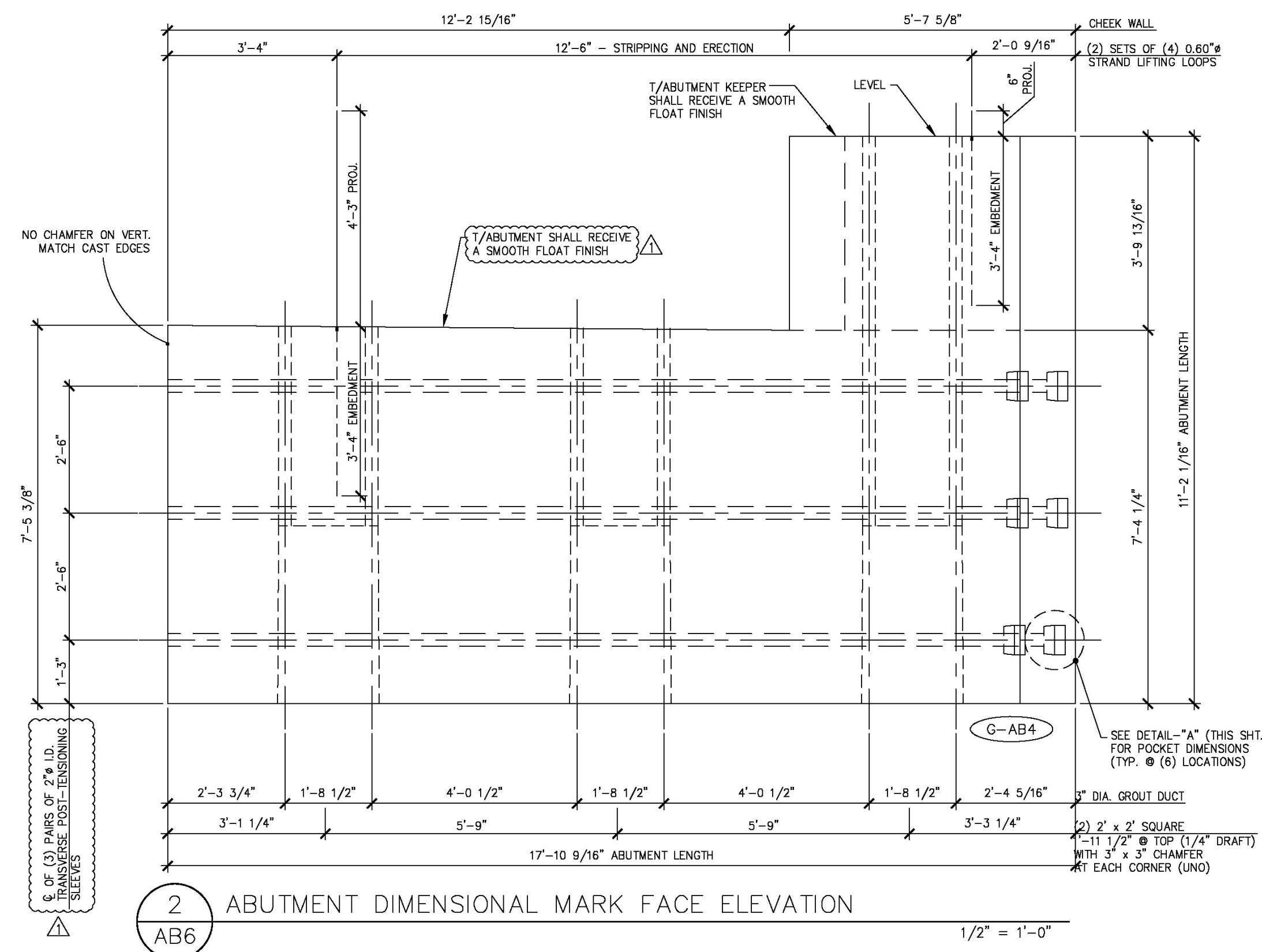
1 ABUTMENT DIMENSIONAL PLAN VIEW IN FORM
AB6 1/2" = 1'-0"



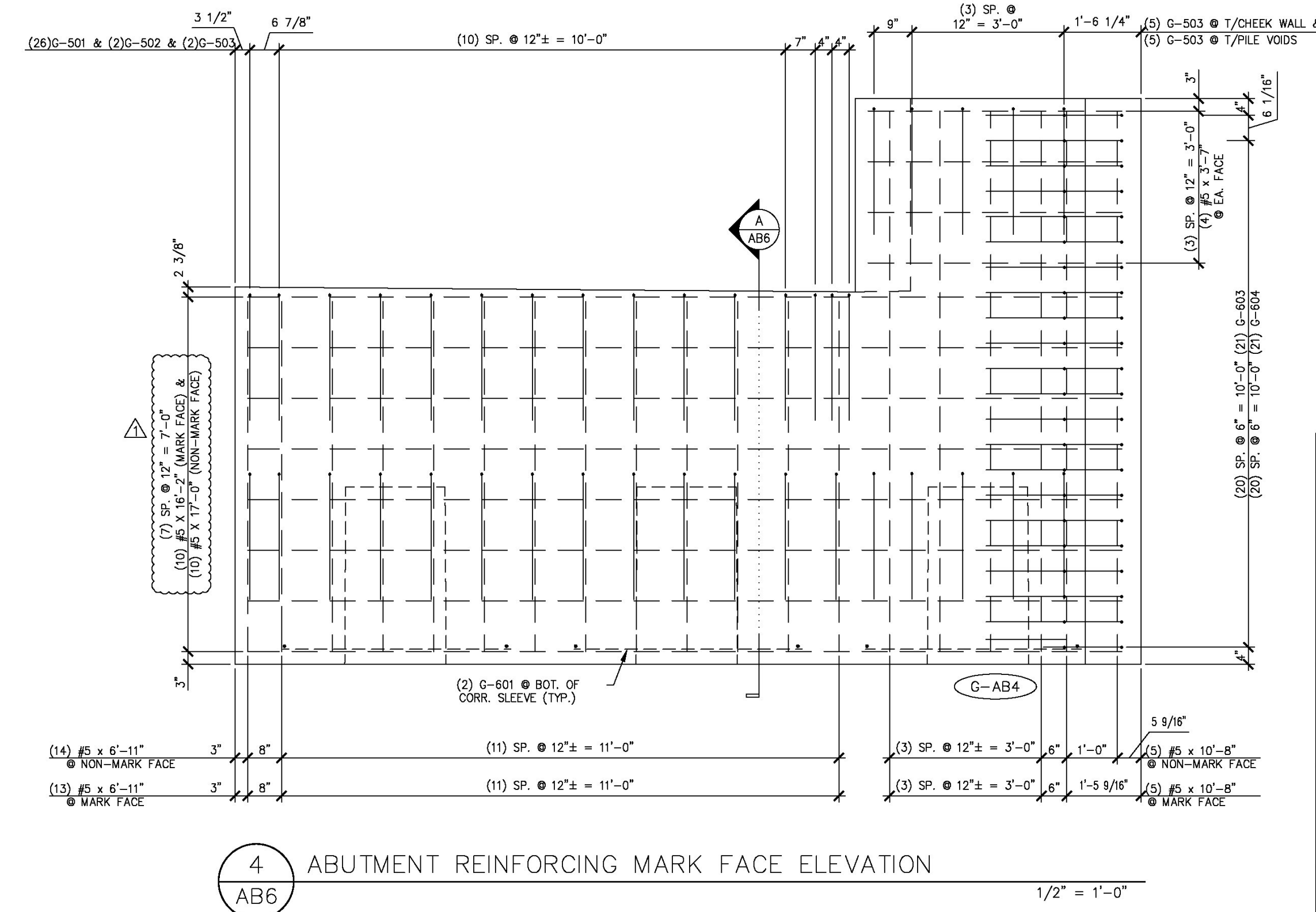
3 ABUTMENT REINFORCING PLAN VIEW IN FORM
AB6 1/2" = 1'-0"



A ABUTMENT SECTION
AB6 3/4" = 1'-0"



2 ABUTMENT DIMENSIONAL MARK FACE ELEVATION
AB6 1/2" = 1'-0"



4 ABUTMENT REINFORCING MARK FACE ELEVATION
AB6 1/2" = 1'-0"

MATERIAL LIST / ABUTMENT			
ITEM	MARK	DESCRIPTION	QTY.
1	G-501	#5 BENT BAR	26
2	G-502	#5 BENT BAR	2
3	G-503	#5 BENT BAR	12
4		#5 x 3'-7"	10
5		#5 x 6'-11"	27
6		#5 x 10'-8"	10
7		#5 x 16'-2"	10
8		#5 x 17'-0"	10
9			
10			
11	G-601	#6 BENT BAR	6
12	G-604	#6 BENT BAR	22
13	G-605	#6 BENT BAR	22
14			
15			
16			
17			
18		SET OF (4) 0.60" x 270 KSI STRAND LIFTING LOOPS	2
19			
20			

SHOP NOTE:
ALL EDGES OF ABUTMENT SHALL RECEIVE A 1" CHAMFER (U.N.O.)

Vermont Agency of Transportation
RECEIVED
CK'D BY MJC OK'D BY TAS
June 18, 2014
RESUBMIT No Approved
BY M. J. Chenette DATE 06/19/2014

SHOP DRAWING REVIEW

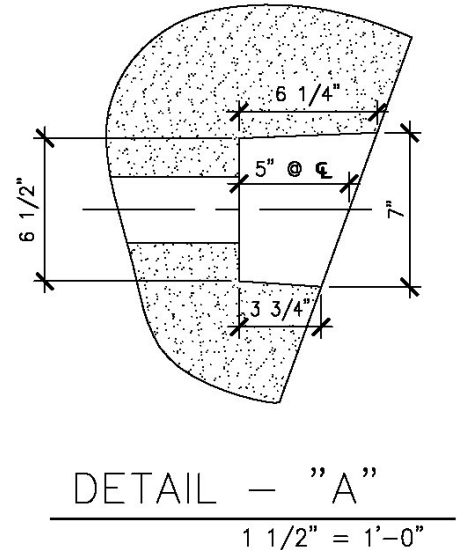
REVIEWED AS REQUIRED BY THE CONSTRUCTION CONTRACT DOCUMENTS AND APPROVED, BUT ONLY FOR CONFORMANCE TO THE DESIGN CONCEPT OF THE WORK, AND SUBJECT TO FURTHER LIMITATIONS AND REQUIREMENTS CONTAINED IN THE CONSTRUCTION CONTRACT DOCUMENTS.

REJECTED REVISE AND RESUBMIT FURNISH AS CORRECTED

CORRECTIONS OR COMMENTS MADE ON THE SHOP DRAWINGS DURING THIS REVIEW DO NOT RELIEVE CONTRACTOR FROM COMPLIANCE WITH REQUIREMENTS OF THE DRAWINGS AND SPECIFICATIONS. THIS CHECK IS ONLY FOR REVIEW OF GENERAL CONFORMANCE WITH THE DESIGN CONCEPT OF THE PROJECT AND GENERAL COMPLIANCE WITH THE INFORMATION GIVEN IN THE CONTRACT DOCUMENTS. THE CONTRACTOR IS RESPONSIBLE FOR CONFIRMING AND CORRELATING ALL QUANTITIES AND DIMENSIONS, SELECTING FABRICATION PROCESSES AND TECHNIQUES OF CONSTRUCTION, COORDINATING HIS WORK WITH THAT OF OTHER TRADES, AND PERFORMING HIS WORK IN A SAFE AND SATISFACTORY MANNER.

VHB Vanasse Hangen Brustlin, Inc.
7035 US Route 7
North Ferrisburgh, VT 05473
802.425.7788

Job Number: 57427.00
Reviewed By: S.E. Burbank
Date: 06/19/2014



DETAIL - "A"
1 1/2" = 1'-0"

4-7-14 REVISED AS NOTED
5-6-14 REVISED AS NOTED

APPROVAL STAMP:

J.P. CARRARA & SONS INC.
Precast & Prestress Manufacturer N.T.S.
244 OISE STR., MIDDLEBURY, VERMONT 05753 Phone: (802)388-6361 Fax: (802)388-9010

STATE OF VERMONT AGENCY OF TRANSPORTATION
COUNTY OF WINDHAM

TOWN OF GUILFORD
ROUTE NO. T.H.10, CLASS III (LOCAL ROAD)
BRIDGE NO.: 65 PROJECT NO.: BRO 1442 (36)

DATE: MAR. 04, 2014
SCALE: NOTED
CHKD: JJ/KLT DFTM:AA1/RWS
JOB NO: 23420-014
DWG. NO: AB6

PRECAST ABUTMENT DETAILS

Eriksson technologies
813.989.3317
TAMPA, FL LRFD.COM
© 2014 ERIKSSON TECHNOLOGIES, INC. ALL RIGHTS RESERVED