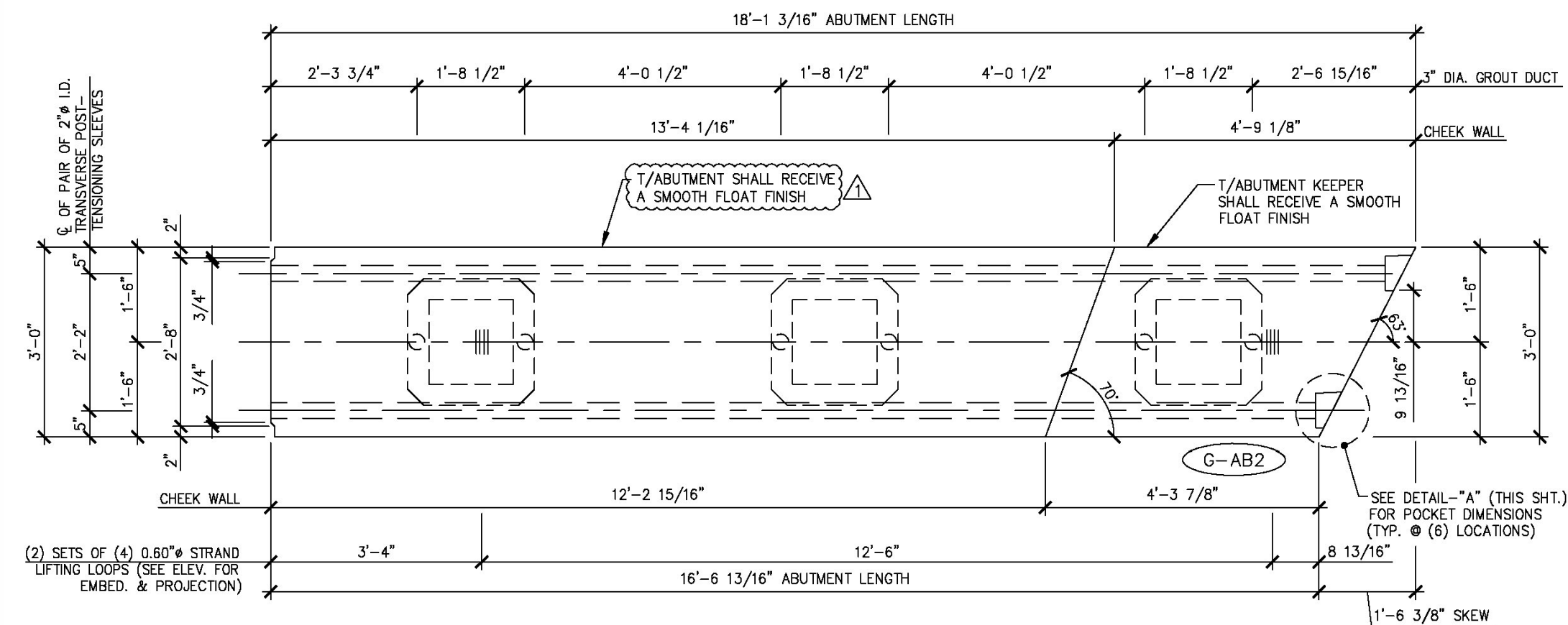
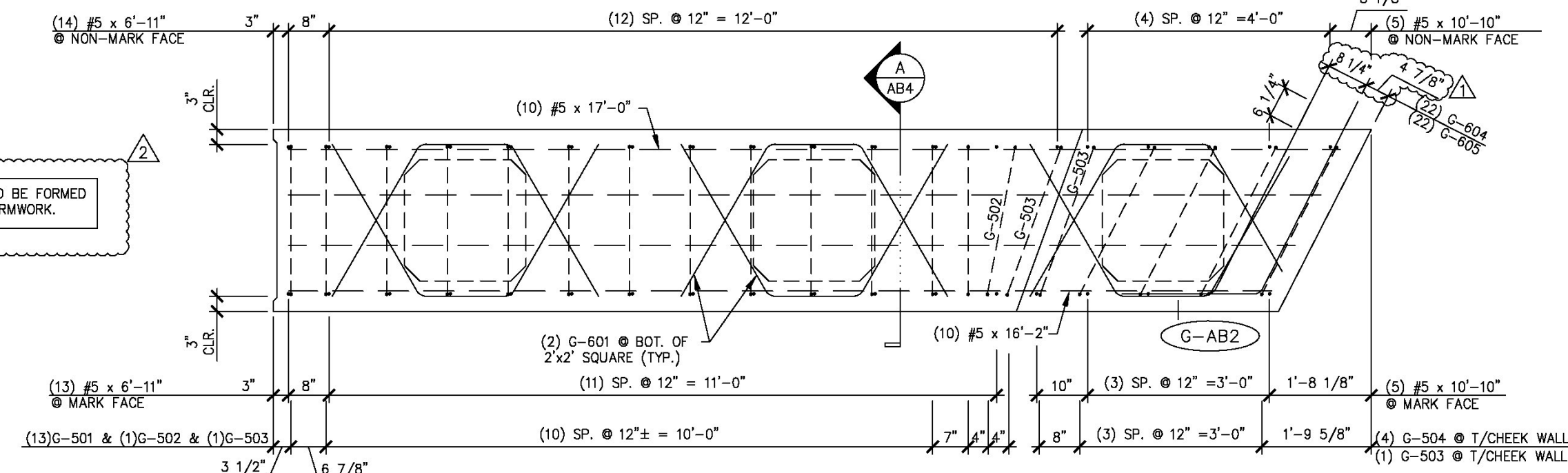


S:\Engineering Services\Carrara\14001 - Guilford Bridge 65\Production Drawings\AutoCAD Files\144236-AB.dwg, 5/16/2014 4:44:38 PM, DWG To PDF.pc3

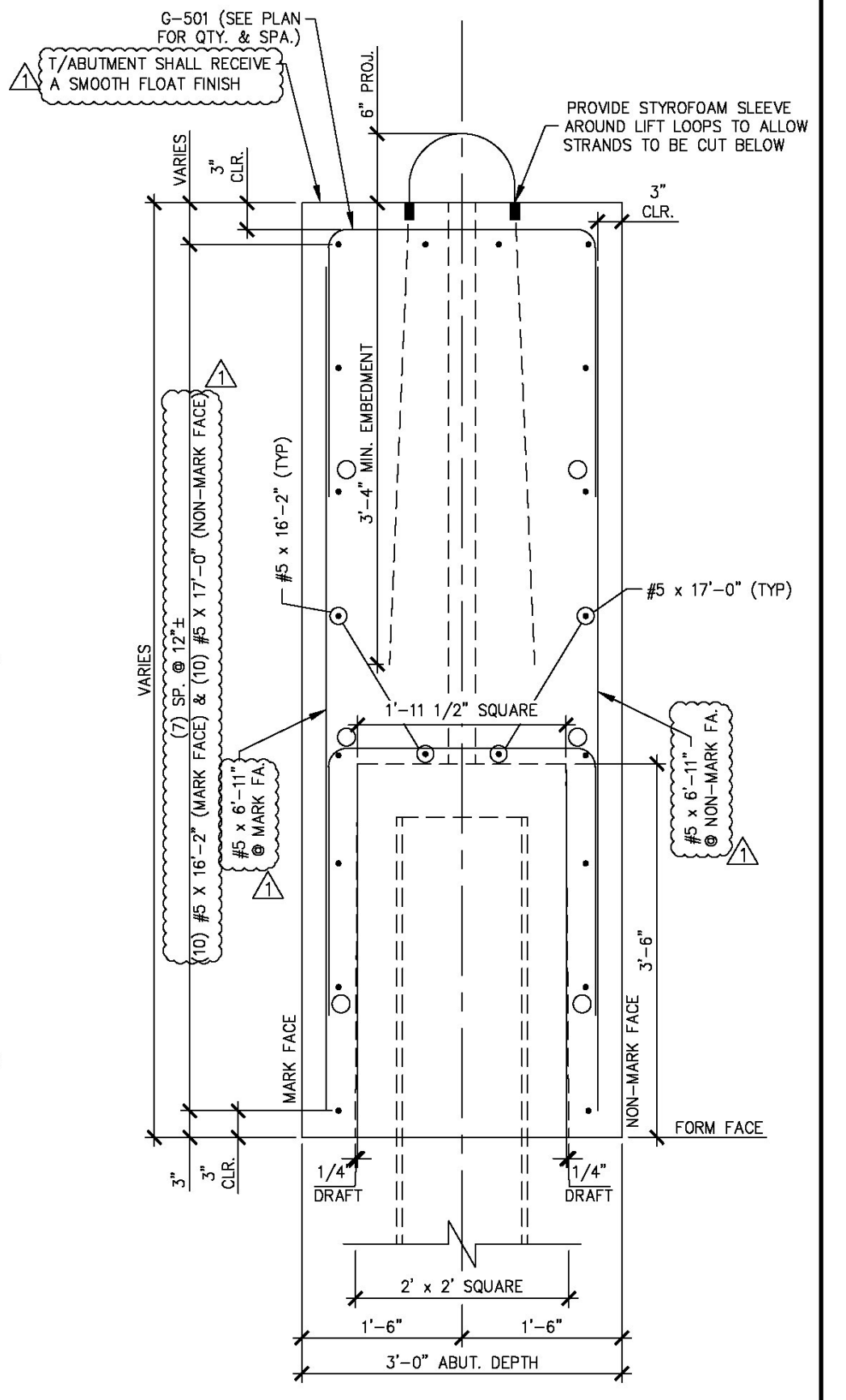


1 ABUTMENT DIMENSIONAL PLAN VIEW IN FORM
AB4 1/2" = 1'-0"

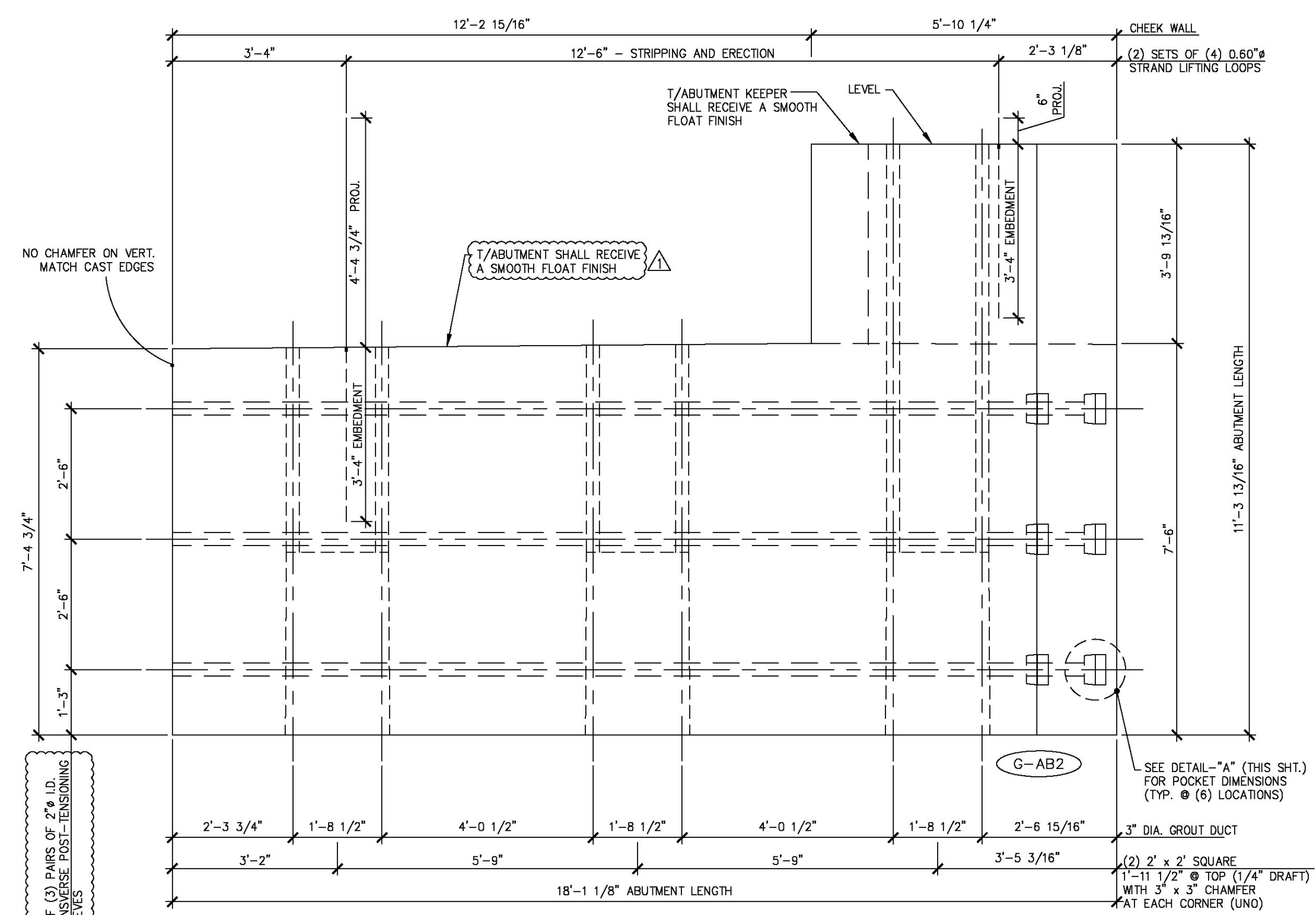
NOTE: PILE VOIDS TO BE FORMED WITH REMOVABLE FORMWORK.



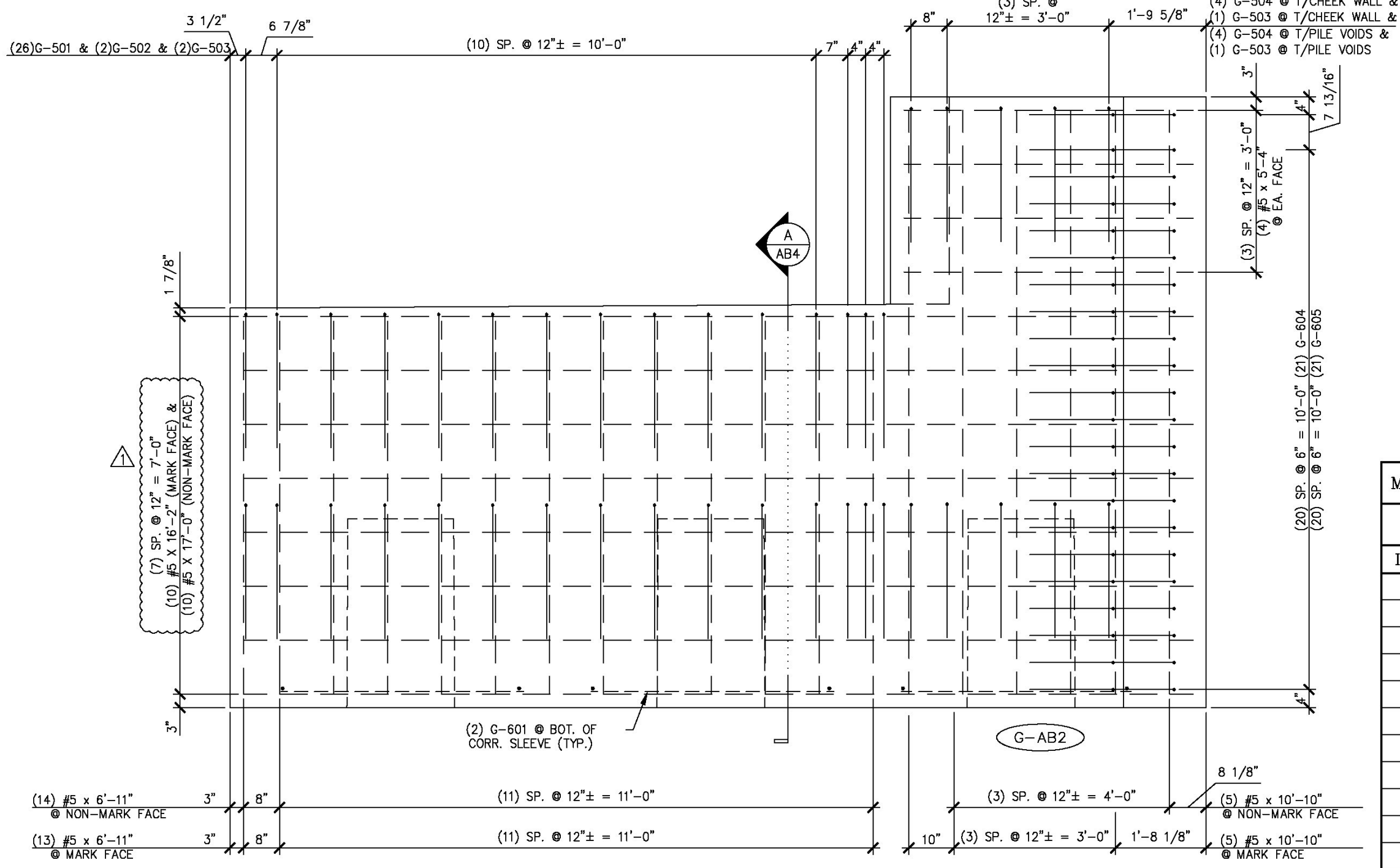
3 ABUTMENT REINFORCING PLAN VIEW IN FORM
AB4 1/2" = 1'-0"



A ABUTMENT SECTION
AB4 3/4" = 1'-0"



2 ABUTMENT DIMENSIONAL MARK FACE ELEVATION
AB4 1/2" = 1'-0"

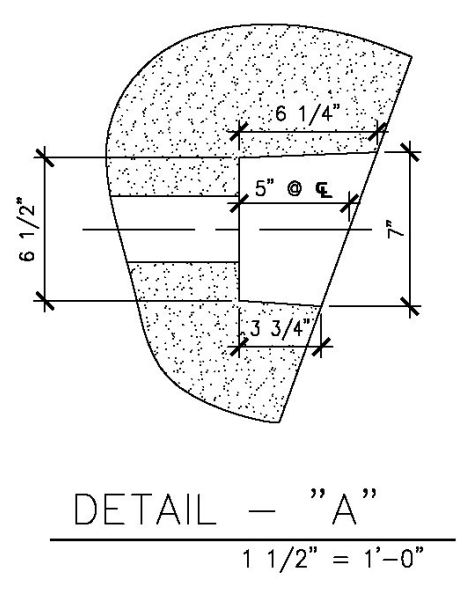


4 ABUTMENT REINFORCING MARK FACE ELEVATION
AB4 1/2" = 1'-0"

| MATERIAL LIST / ABUTMENT | | | |
|--------------------------|-------|---|------|
| ITEM | MARK | DESCRIPTION | QTY. |
| 1 | G-501 | #5 BENT BAR | 26 |
| 2 | G-502 | #5 BENT BAR | 2 |
| 3 | G-503 | #5 BENT BAR | 4 |
| 4 | G-504 | #5 BENT BAR | 8 |
| 5 | | #5 x 5'-4" | 10 |
| 6 | | #5 x 6'-11" | 27 |
| 7 | | #5 x 10'-10" | 10 |
| 8 | | #5 x 16'-2" | 10 |
| 9 | | #5 x 17'-0" | 10 |
| 10 | | | |
| 11 | G-601 | #6 BENT BAR | 6 |
| 12 | G-604 | #6 BENT BAR | 22 |
| 13 | G-605 | #6 BENT BAR | 22 |
| 14 | | | |
| 15 | | | |
| 16 | | | |
| 17 | | | |
| 18 | | SET OF (4) 0.60" x 270 KSI STRAND LIFTING LOOPS | 2 |
| 19 | | | |
| 20 | | | |

SHOP NOTE:
ALL EDGES OF ABUTMENT SHALL RECEIVE A 1" CHAMFER (U.N.O.)

Vermont Agency of Transportation
RECEIVED
CK'D BY MJC OK'D BY TAS
June 18, 2014
RESUBMIT No Approved
BY M. J. Chenette DATE 06/19/2014



DETAIL - "A"
1 1/2" = 1'-0"

SHOP DRAWING REVIEW

REVIEWED AS REQUIRED BY THE CONSTRUCTION CONTRACT DOCUMENTS AND APPROVED, BUT ONLY FOR CONFORMANCE TO THE DESIGN CONCEPT OF THE WORK, AND SUBJECT TO FURTHER LIMITATIONS AND REQUIREMENTS CONTAINED IN THE CONSTRUCTION CONTRACT DOCUMENTS.

REJECTED REVISE AND RESUBMIT FURNISH AS CORRECTED

CORRECTIONS OR COMMENTS MADE ON THE SHOP DRAWINGS DURING THIS REVIEW DO NOT RELIEVE CONTRACTOR FROM COMPLIANCE WITH REQUIREMENTS OF THE DRAWINGS AND SPECIFICATIONS. THIS CHECK IS ONLY FOR REVIEW OF GENERAL CONFORMANCE WITH THE DESIGN CONCEPT OF THE PROJECT AND GENERAL COMPLIANCE WITH THE INFORMATION GIVEN IN THE CONTRACT DOCUMENTS. THE CONTRACTOR IS RESPONSIBLE FOR CONFIRMING AND CORRELATING ALL QUANTITIES AND DIMENSIONS, SELECTING FABRICATION PROCESSES AND TECHNIQUES OF CONSTRUCTION, COORDINATING HIS WORK WITH THAT OF ALL OTHER TRADES AND PERFORMING HIS WORK IN A SAFE AND SATISFACTORY MANNER.

Vanasse Hangen Brustlin, Inc.
7056 US Route 7
North Ferrisburgh, VT 05473
802-425-7799

Job Number: 57427.00
Reviewed By: S E Burbank
Date: 06/19/2014

4-7-14 REVISED AS NOTED
5-6-14 REVISED AS NOTED

APPROVAL STAMP:

J.P. CARRARA & SONS INC.
Precast & Prestress Manufacturer N.T.S.
244 COTE ST. MIDDLEBURY, VERMONT 05753 Phone:(802)388-6361 Fax:(802)388-9010

| | |
|---|--|
| STATE OF VERMONT AGENCY OF TRANSPORTATION COUNTY OF WINDHAM | DATE: MAR. 04, 2014 SCALE: NOTED |
| TOWN OF GUILFORD ROUTE NO. T.H.10, CLASS III (LOCAL ROAD) BRIDGE NO.: 65 PROJECT NO.: BRO 1442 (36) | CHKD: JJ/KLT DFTM:AA1/RWS JOB NO: 23420-014 |
| PRECAST ABUTMENT DETAILS | |
| DWG. NO: AB4 | |

Eriksson technologies
813.989.3317
TAMPA, FL LRFD.COM
©2014 ERIKSSON TECHNOLOGIES, INC. ALL RIGHTS RESERVED