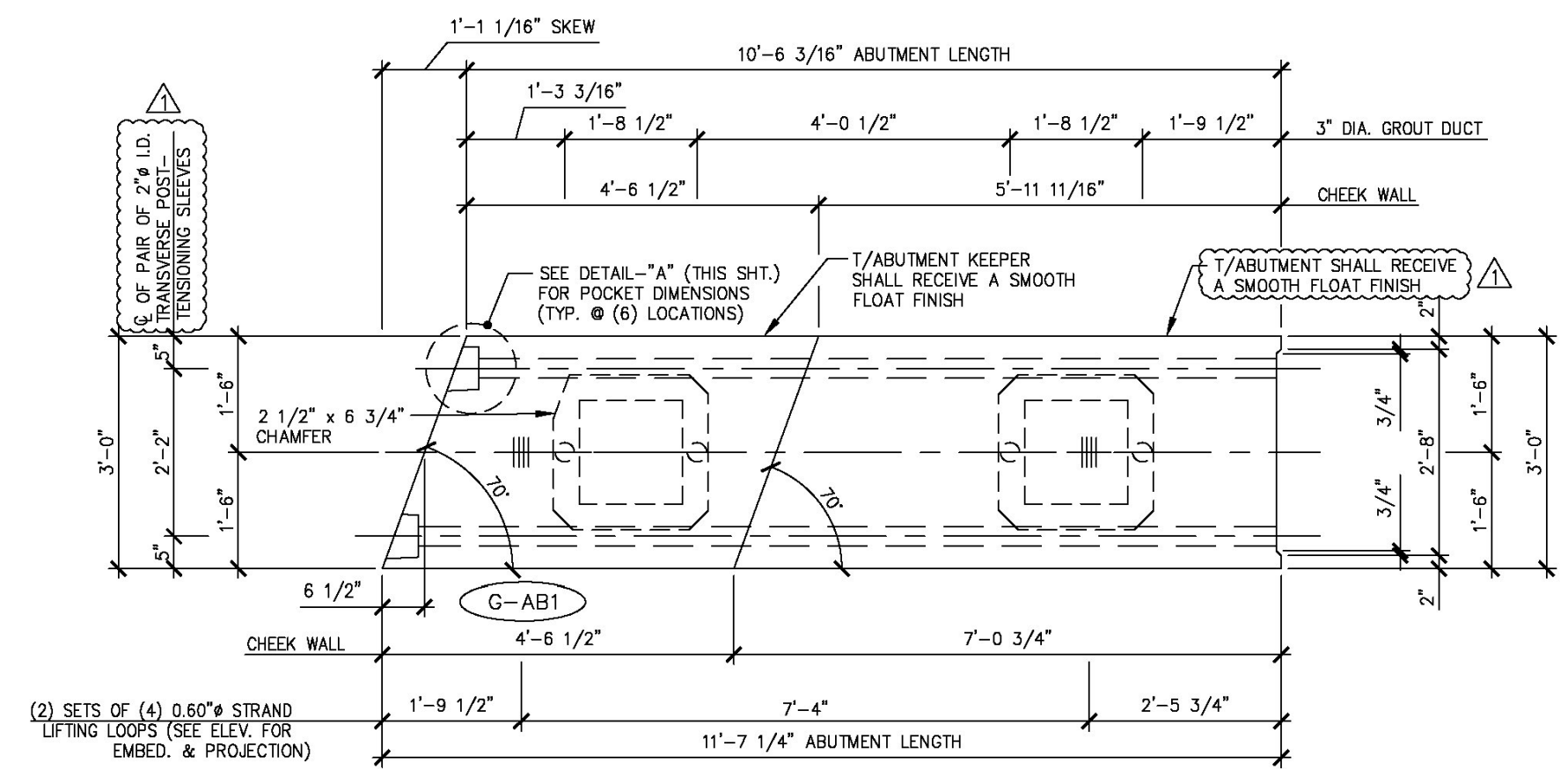
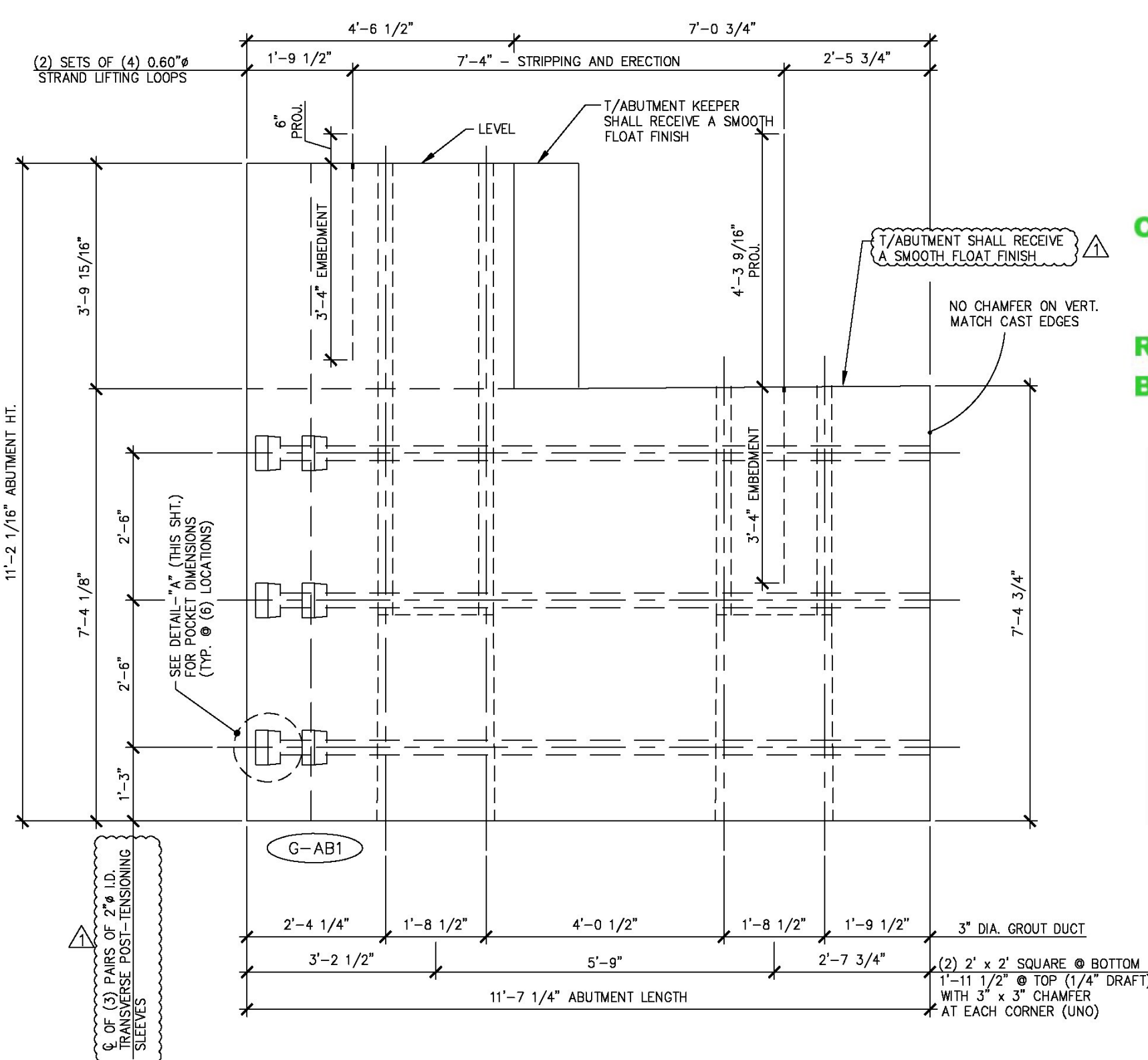


S:\Engineering Services\Carrara\14001 - Guilford Bridge 65\Production Drawings\AutoCAD Files\144236-AB.dwg, 5/16/2014 4:44:38 PM, DWG To PDF.pc3

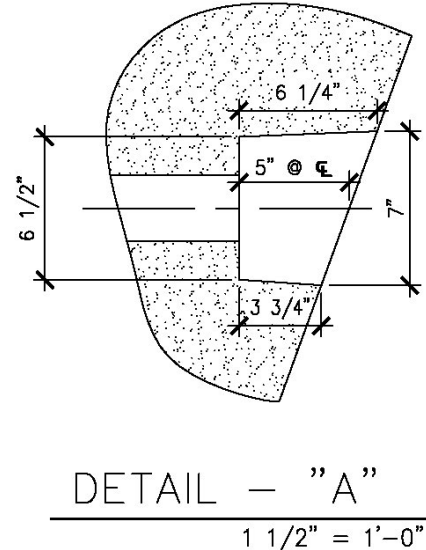


1 ABUTMENT DIMENSIONAL PLAN VIEW IN FORM  
AB3 1/2" = 1'-0"



2 ABUTMENT DIMENSIONAL MARK FACE ELEVATION  
AB3 1/2" = 1'-0"

SHOP NOTE:  
ALL EDGES OF ABUTMENT SHALL  
RECEIVE A 1" CHAMFER (U.N.O.)



DETAIL - "A"  
1 1/2" = 1'-0"

Vermont Agency of Transportation  
**RECEIVED**  
CK'D BY MJC OK'D BY TAS  
June 18, 2014  
RESUBMIT No Approved  
BY M. J. Chenette DATE 06/19/2014

**SHOP DRAWING REVIEW**

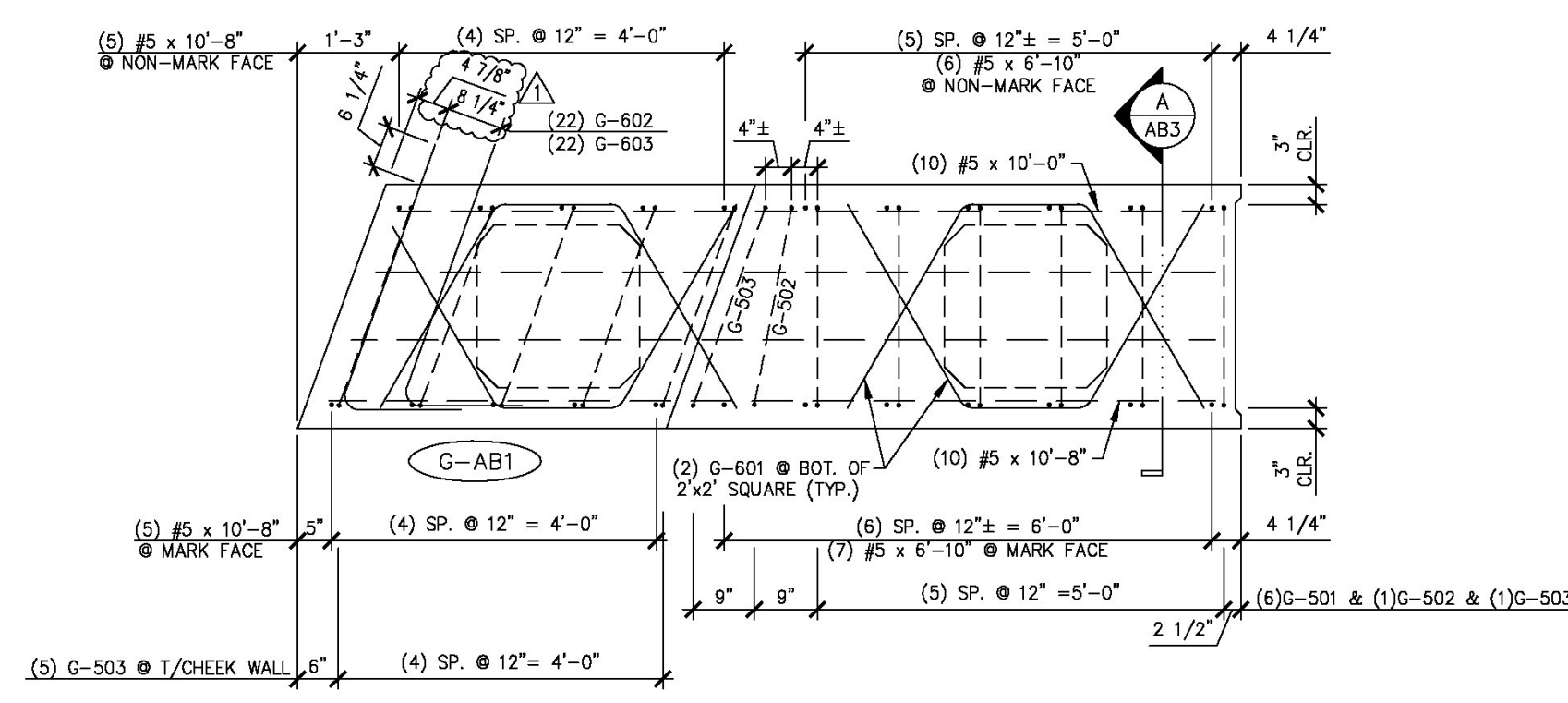
REVIEWED AS REQUIRED BY THE CONSTRUCTION CONTRACT DOCUMENTS AND APPROVED, BUT ONLY FOR CONFORMANCE TO THE DESIGN CONCEPT OF THE WORK, AND SUBJECT TO FURTHER LIMITATIONS AND REQUIREMENTS CONTAINED IN THE CONSTRUCTION CONTRACT DOCUMENTS.

REJECTED  REVISE AND RESUBMIT  FURNISH AS CORRECTED

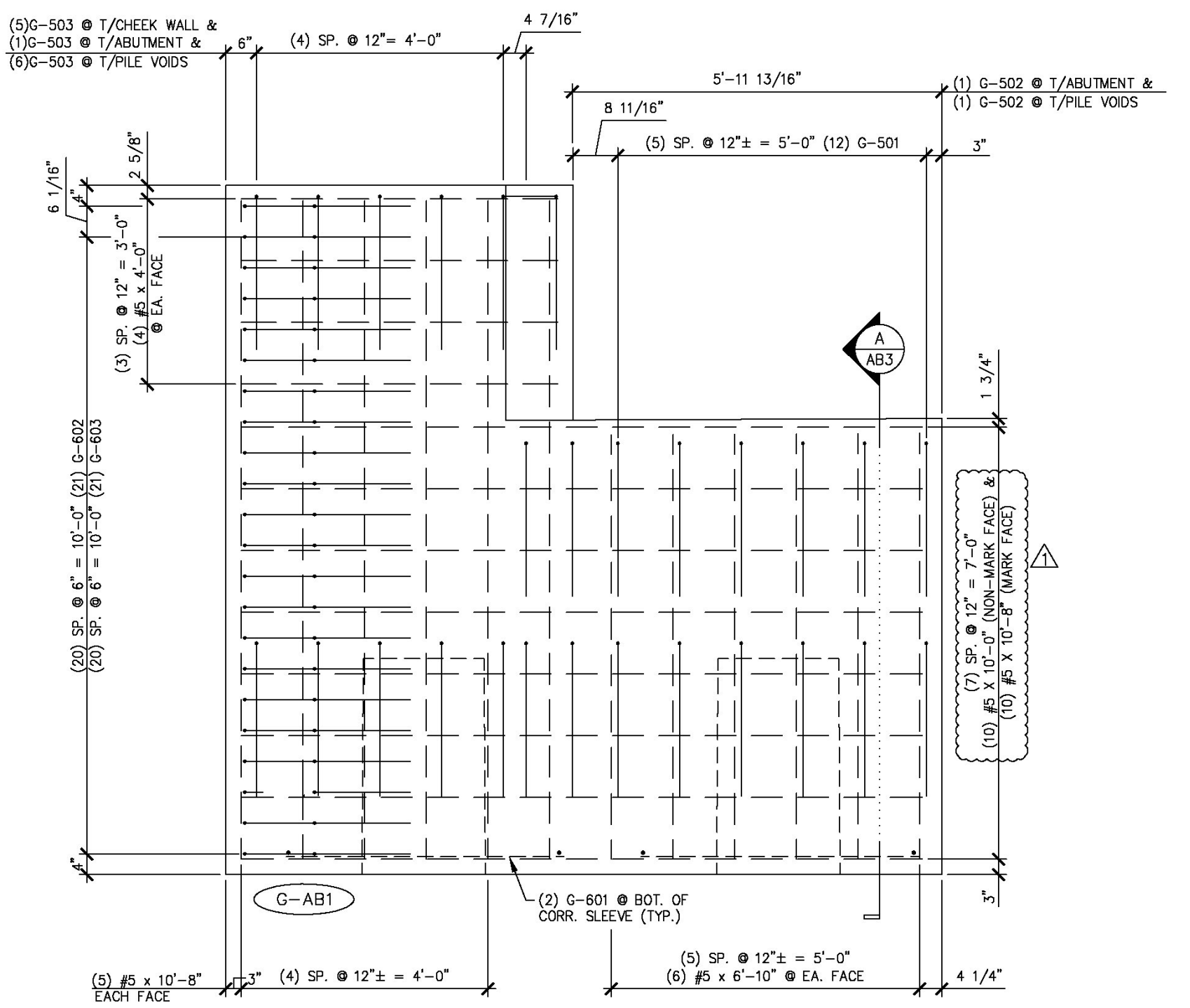
CORRECTIONS OR COMMENTS MADE ON THE SHOP DRAWINGS DURING THIS REVIEW DO NOT RELIEVE CONTRACTOR FROM COMPLIANCE WITH REQUIREMENTS OF THE DRAWINGS AND SPECIFICATIONS. THIS CHECK IS ONLY FOR REVIEW OF GENERAL CONFORMANCE WITH THE DESIGN CONCEPT OF THE PROJECT AND GENERAL COMPLIANCE WITH THE REQUIREMENTS GIVEN IN THE CONTRACT DOCUMENTS. THE CONTRACTOR IS RESPONSIBLE FOR CONFIRMING AND CORRELATING ALL QUANTITIES AND DIMENSIONS, SELECTING FABRICATOR PROCESSES AND TECHNIQUES OF CONSTRUCTION, COORDINATING HIS WORK WITH THAT OF ALL OTHER TRADES, AND PERFORMING HIS WORK IN A SAFE AND SATISFACTORY MANNER.

**VHB Vanasse Hangen Brustlin, Inc.**  
7056 US Route 7  
North Ferrisburgh, VT 05473  
802.425.7788

Job Number: 57427.00  
Reviewed By: S.E. Burbank  
Date: 06/19/2014



3 ABUTMENT REINFORCING PLAN VIEW IN FORM  
AB3 1/2" = 1'-0"



4 ABUTMENT REINFORCING MARK FACE ELEVATION  
AB3 1/2" = 1'-0"

4-7-14 REVISED AS NOTED  
5-6-14 REVISED AS NOTED

APPROVAL STAMP:

**J.P. CARRARA & SONS INC.**  
Precast & Prestress Manufacturer N.T.S.  
244 OASE STR., MIDDLEBURY, VERMONT 05753 Phone:(802)388-6361 Fax:(802)388-9010

STATE OF VERMONT AGENCY OF TRANSPORTATION  
COUNTY OF WINDHAM

TOWN OF GUILFORD  
ROUTE NO. T.H.10, CLASS III (LOCAL ROAD)  
BRIDGE NO.: 65 PROJECT NO.: BRO 1442 (36)

DATE: MAR. 04, 2014  
SCALE: NOTED  
CHKD: JJ/KLT DFTM:AA1/RWS  
JOB NO: 23420-014

PRECAST ABUTMENT DETAILS  
DWG. NO: AB3

MATERIAL LIST / ABUTMENT				
ITEM	MARK	DESCRIPTION	QTY.	
1	G-501	#5 BENT BAR	12	
2	G-502	#5 BENT BAR	2	
3	G-503	#5 BENT BAR	12	
4		#5 x 4'-0"	10	
5		#5 x 6'-10"	12	
6		#5 x 10'-0"	10	
7		#5 x 10'-8"	20	
8				
9	G-601	#6 BENT BAR	4	
10	G-602	#6 BENT BAR	22	
11	G-603	#6 BENT BAR	22	
12				
13				
14				
15				
16				
17				
18		SET OF (4) 0.60" x 270 KSI STRAND LIFTING LOOPS	2	
19				
20				

**Eriksson technologies**  
813.989.3317  
TAMPA, FL LRFD.COM  
©2014 ERIKSSON TECHNOLOGIES, INC. ALL RIGHTS RESERVED