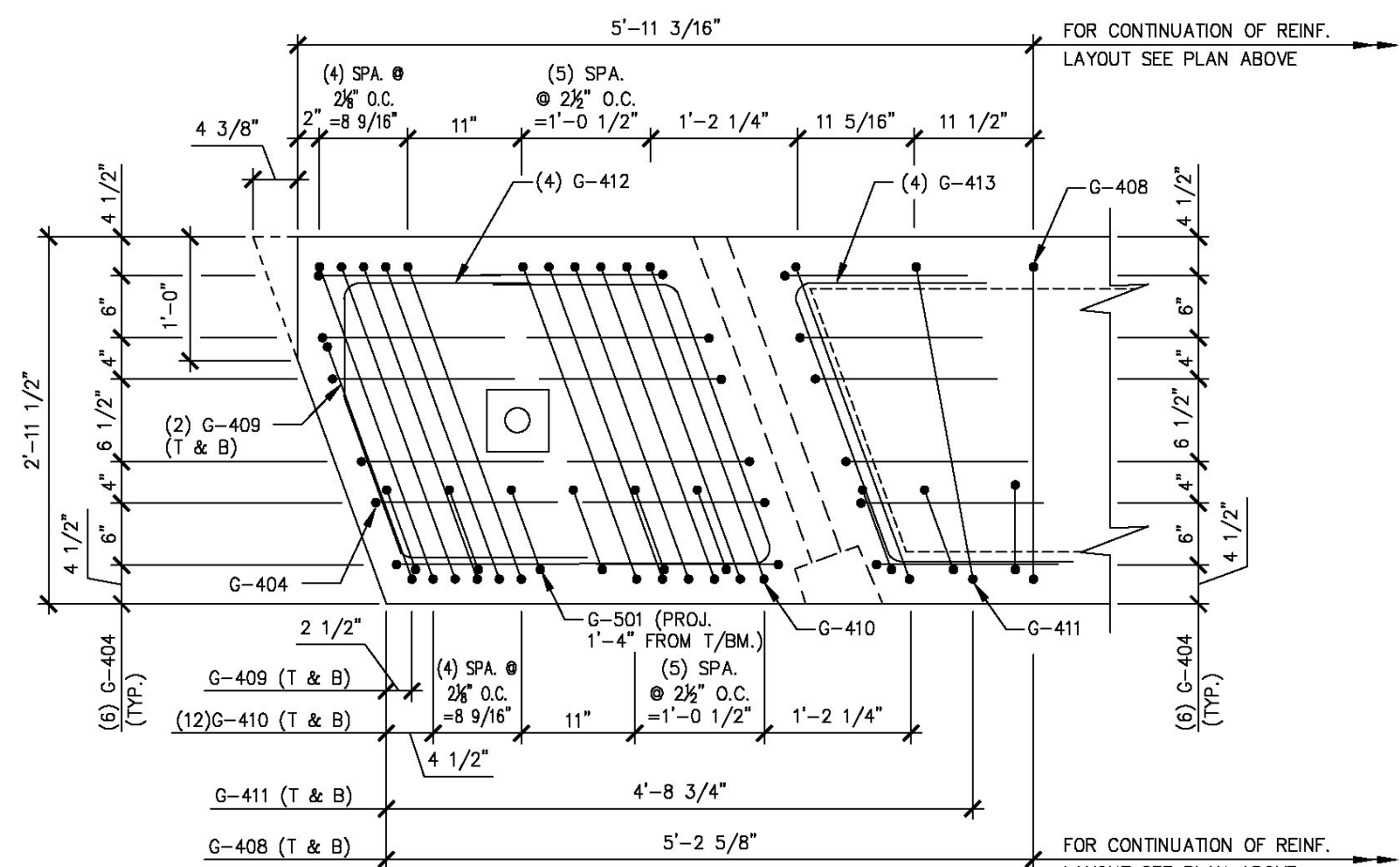
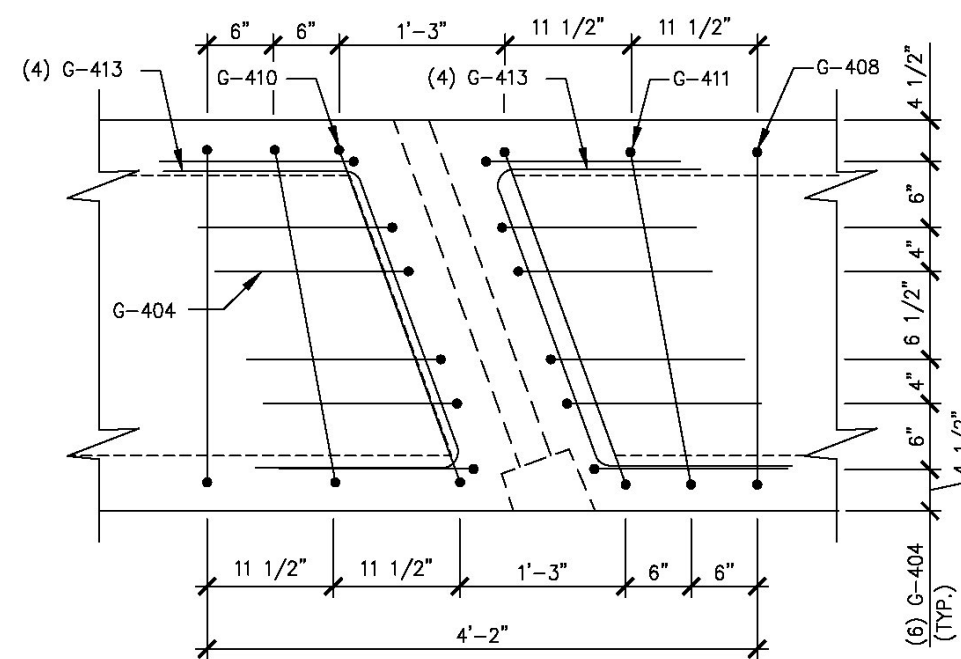


1 REINFORCING PLAN VIEW IN FORM
B3A 3/8" = 1'-0"



D END BLOCK REINFORCING PLAN
B3A 3/4" = 1'-0"



E P.T. DIAPHRAGM REINFORCING PLAN
B3A 3/4" = 1'-0"

1 3 5 7 9 11 13 14 12 10 8 6 4 2

DETENSIONING SCHEDULE

N.T.S.

Vermont Agency of Transportation
RECEIVED
CK'D BY MJC OK'D BY TAS
June 18, 2014

RESUBMIT No Approved
BY M. J. Chenette DATE 06/19/2014

SHOP DRAWING REVIEW

REVIEWED AS REQUIRED BY THE CONSTRUCTION CONTRACT DOCUMENTS AND APPROVED, BUT ONLY FOR CONFORMANCE TO THE DESIGN CONCEPT OF THE WORK, AND SUBJECT TO FURTHER LIMITATIONS AND REQUIREMENTS CONTAINED IN THE CONSTRUCTION CONTRACT DOCUMENTS

REJECTED REVISE AND RESUBMIT FURNISH AS CORRECTED

CORRECTIONS OR COMMENTS MADE ON THE SHOP DRAWINGS DURING THIS REVIEW DO NOT RELIEVE CONTRACTOR FROM COMPLIANCE WITH REQUIREMENTS OF THE DRAWINGS AND SPECIFICATIONS. THIS CHECK IS ONLY FOR REVIEW OF GENERAL CONFORMANCE WITH THE DESIGN CONCEPT OF THE PROJECT AND GENERAL COMPLIANCE WITH THE INFORMATION GIVEN IN THE CONTRACT DOCUMENTS. THE CONTRACTOR IS RESPONSIBLE FOR CONFIRMING AND CORRECTING ALL QUANTITIES AND DIMENSIONS, SELECTING FABRICATION PROCESSES AND TECHNIQUES OF CONSTRUCTION, COORDINATING HIS WORK WITH THAT OF ALL OTHER TRADES, AND PERFORMING HIS WORK IN A SAFE AND SATISFACTORY MANNER.

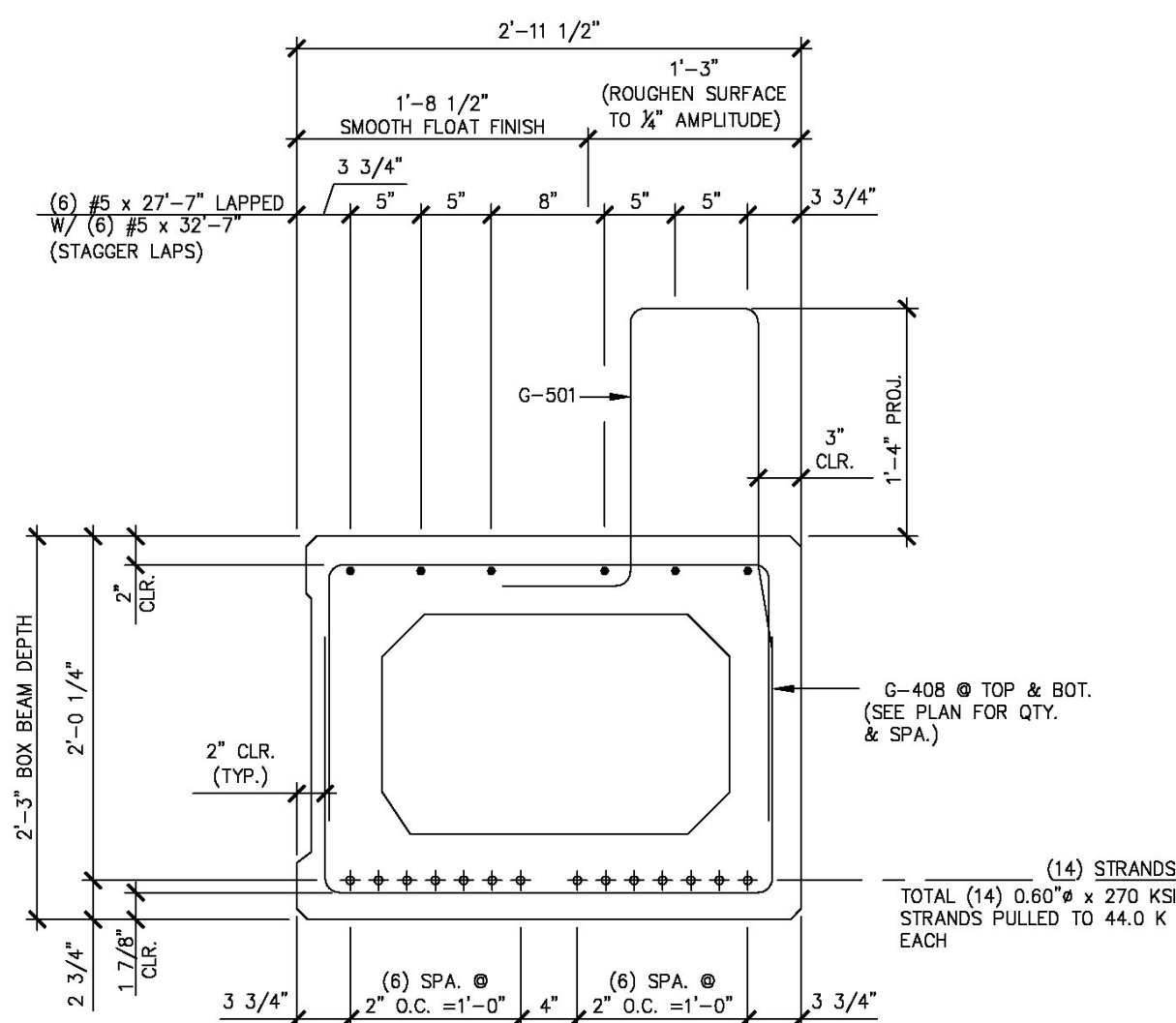
Vanasse Hangen Brustlin, Inc.
7056 US Route 7
North Ferrisburgh, VT 05473
802.425.7788

Job Number: 57427.00
Reviewed By: S.E. Burbank
Date: 06/19/2014

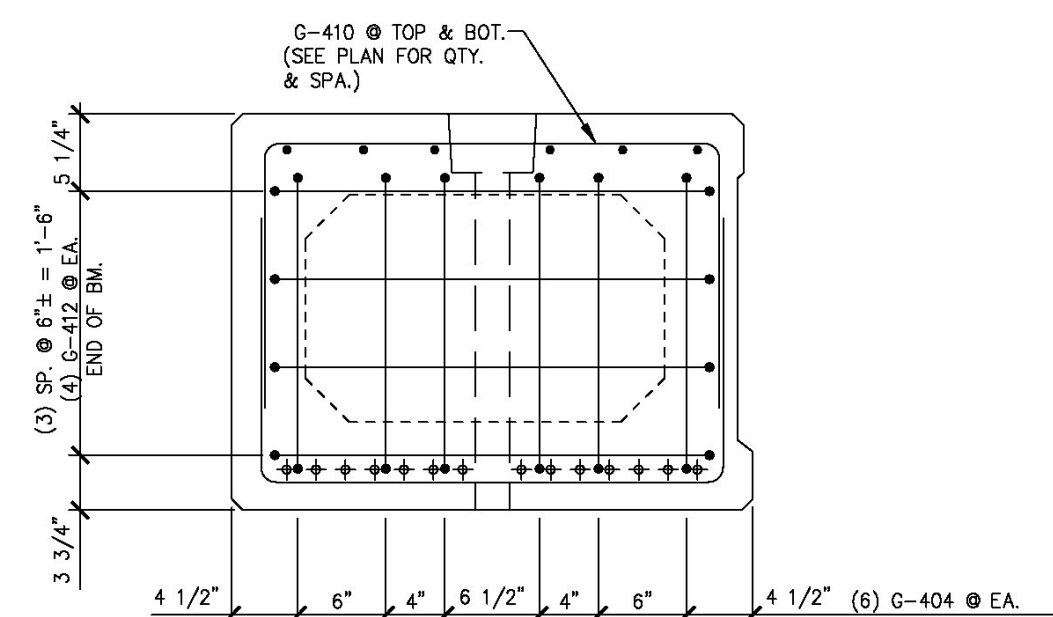
MARK: G-B3 QTY.: 1

MATERIAL LIST / BEAM

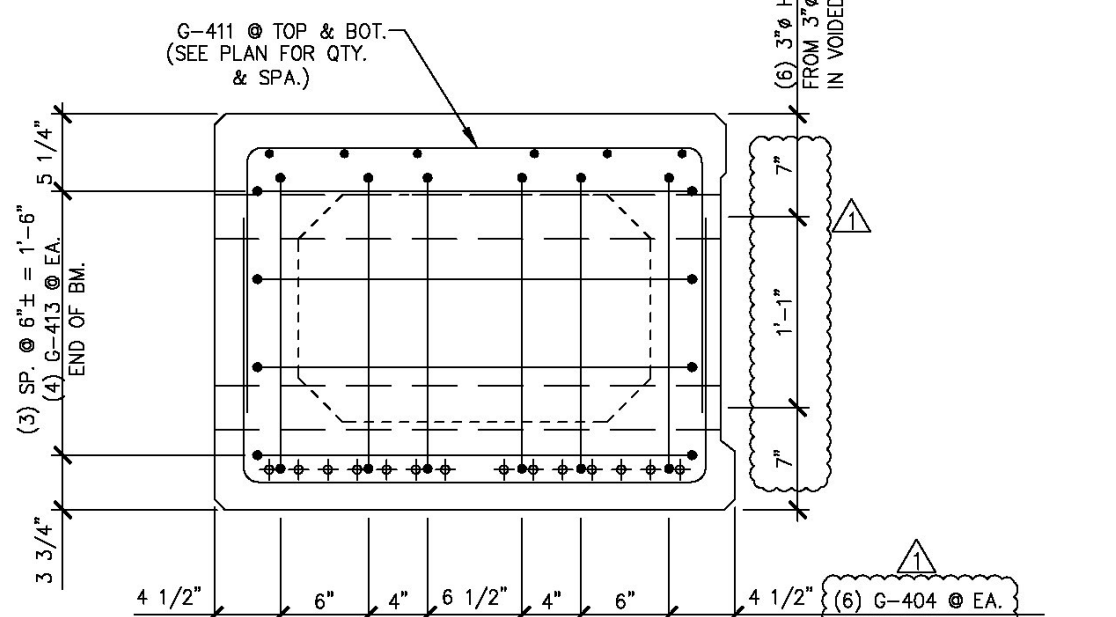
ITEM	MARK	DESCRIPTION	QTY.
1	G-404	#4 BENT BAR (LEVEL II DUAL COATED)	48
2	G-408	#4 BENT BAR (LEVEL II DUAL COATED)	72
3	G-409	#4 BENT BAR (LEVEL II DUAL COATED)	4
4	G-410	#4 BENT BAR (LEVEL II DUAL COATED)	52
5	G-411	#4 BENT BAR (LEVEL II DUAL COATED)	8
6	G-412	#4 BENT BAR (LEVEL II DUAL COATED)	8
7	G-413	#4 BENT BAR (LEVEL II DUAL COATED)	24
8	G-501	#5 BENT BAR (LEVEL II DUAL COATED)	113
9			
10			
11			
12			
13			
14			
15			
16		#5 x 27'-7" (LEVEL II DUAL COATED)	12
17		#5 x 32'-7" (LEVEL II DUAL COATED)	12
18			
19			
20			
21			
22	MK-G1	1" ANCHOR "U" BOLTS (SUPPLIED BY OTHERS)	18
23			
24			
25			



A REINFORCING SECTION
B3A 1" = 1'-0"



B END BLOCK REINF. SECTION
B3A 1" = 1'-0"



C P.T. DIAPHRAGM REINF. SECTION
B3A 1" = 1'-0"

APPROVAL STAMP:

J.P. CARRARA & SONS INC.

Precast & Prestress Manufacturer N.T.S.

244 OASE ST., WINDHAM, VERMONT 05753 Phone:(802)388-6361 Fax:(802)388-9010

STATE OF VERMONT AGENCY OF TRANSPORTATION
COUNTY OF WINDHAM

TOWN OF GUILFORD
ROUTE NO. T.H.10, CLASS III (LOCAL ROAD)
BRIDGE NO.: 65 PROJECT NO.: BRO 1442 (36)

PRESTRESSED BOX BEAM
REINFORCING DETAILS

DATE: MAR. 04, 2014

SCALE: NOTED

CHKD: JJ/KLT DFTM:AA1/RWS

JOB NO: 23420-014

DWG. NO: B3A

Eriksson technologies
813.989.3317
TAMPA, FL LRFD.COM
© 2014 ERIKSSON TECHNOLOGIES, INC. ALL RIGHTS RESERVED