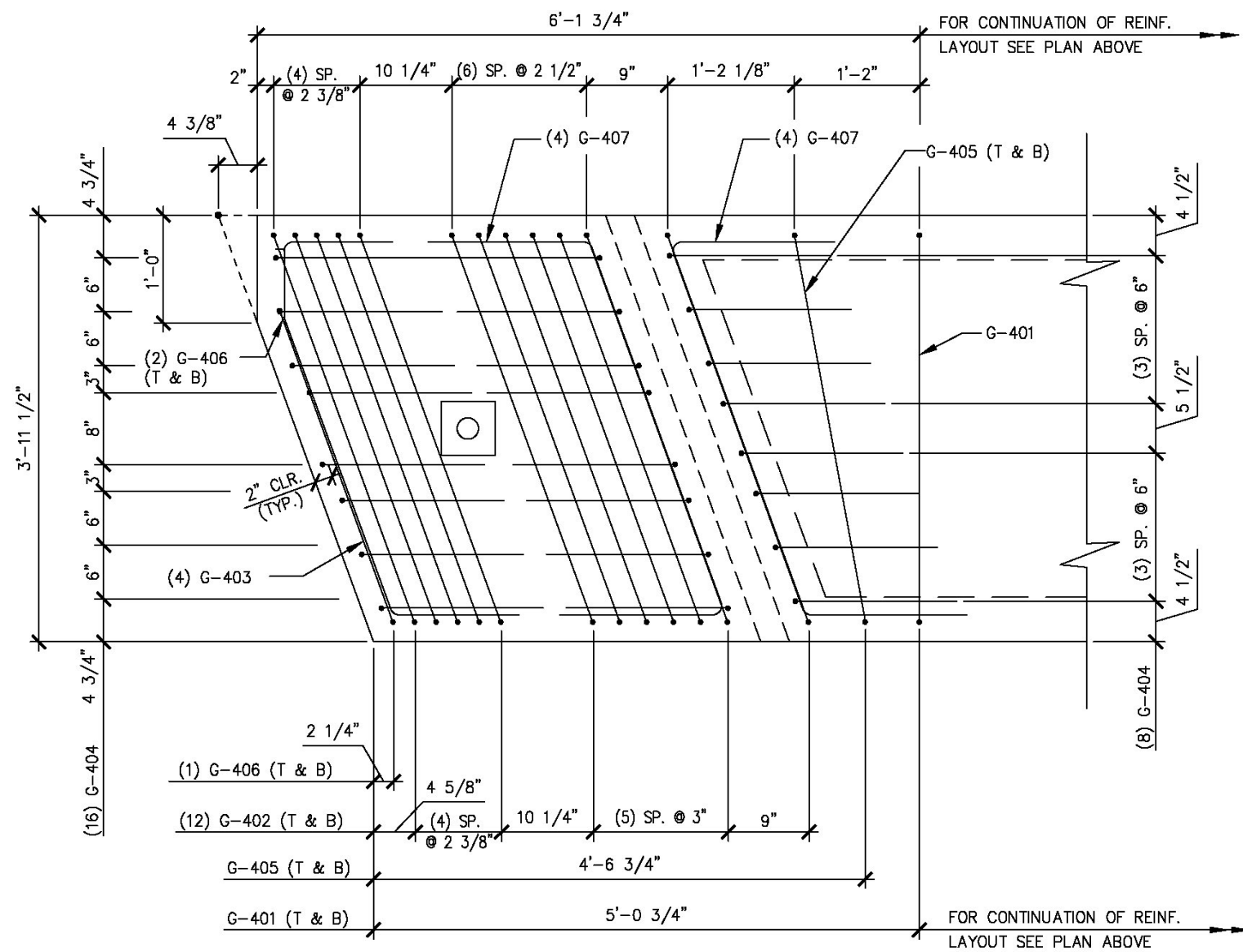
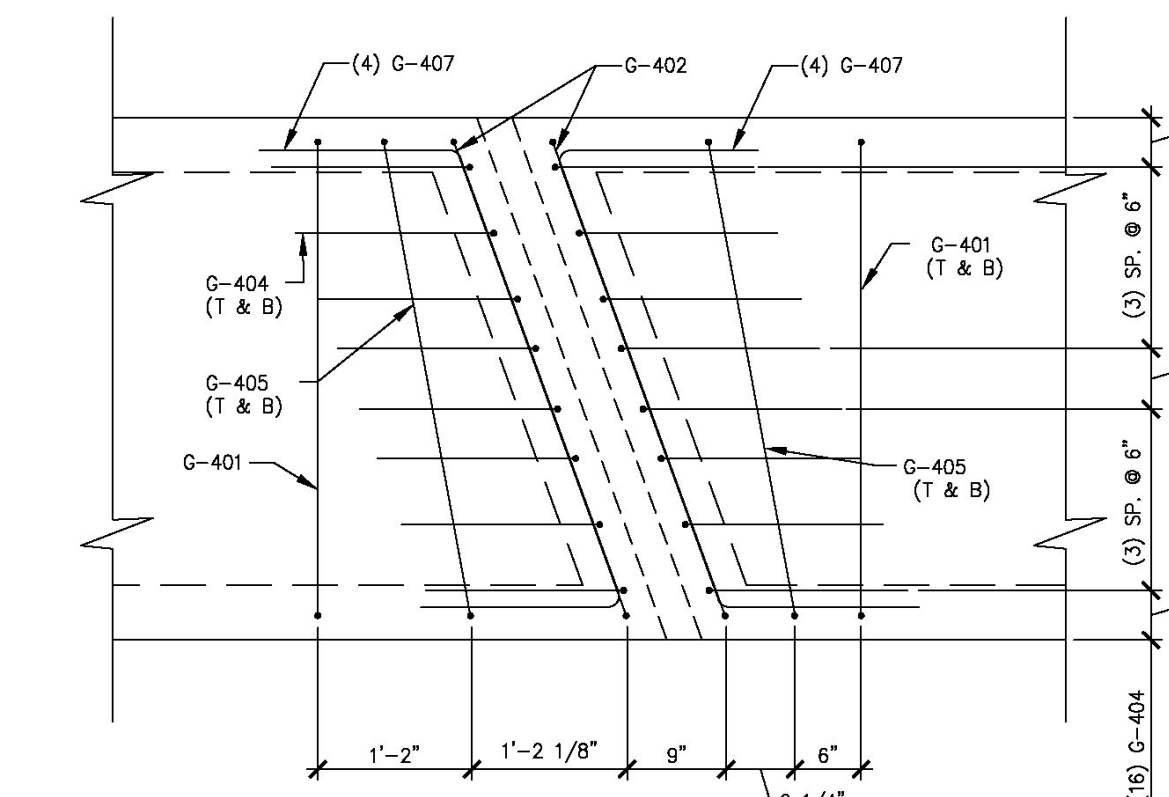


1 REINFORCING PLAN VIEW IN FORM  
B2 1/4" = 1'-0"



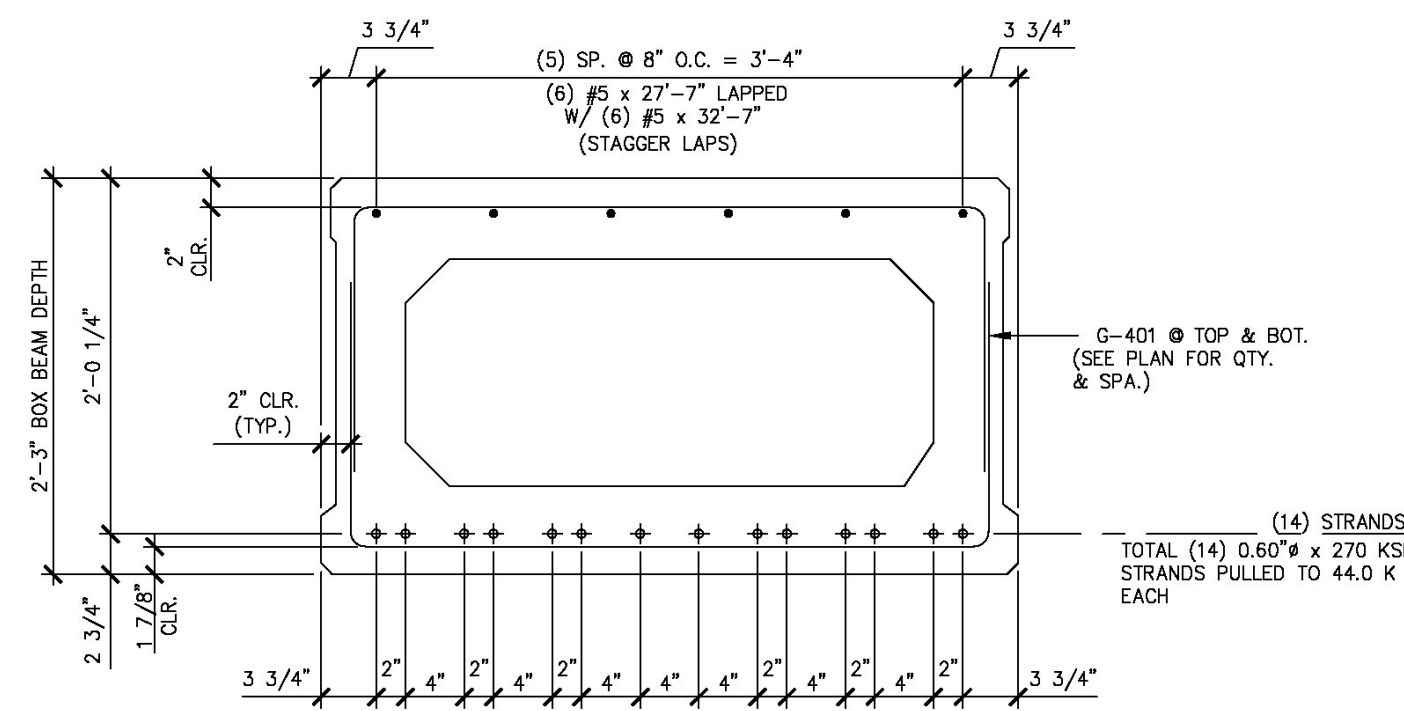
D END BLOCK REINFORCING PLAN  
B2A 3/4" = 1'-0"



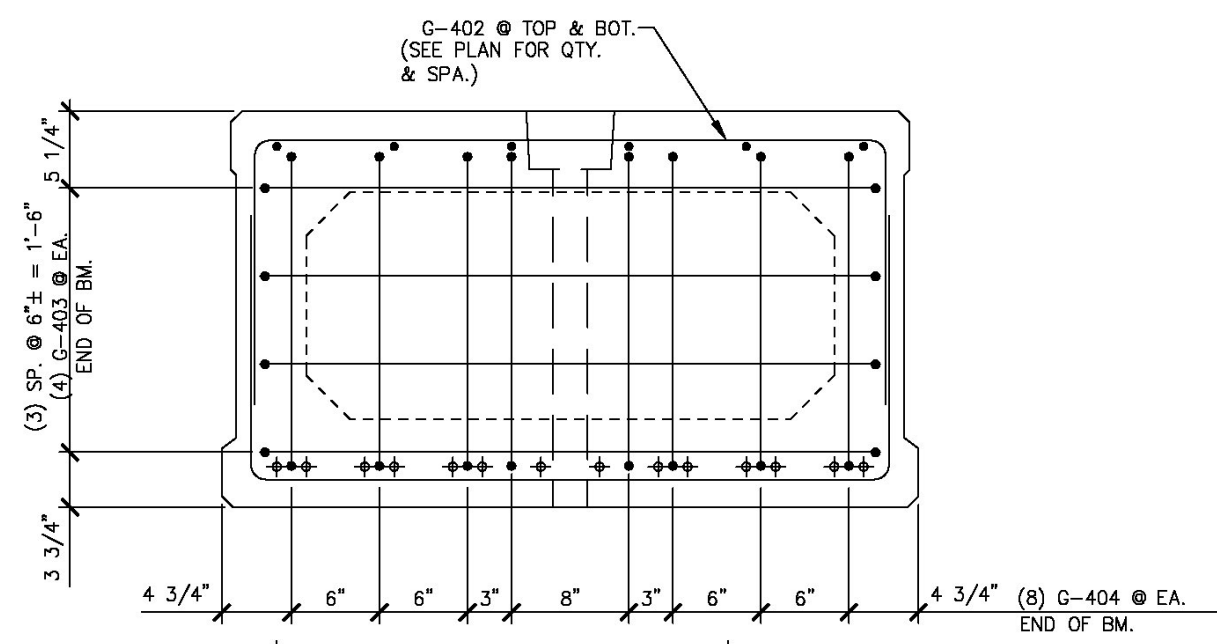
E P.T. DIAPHRAGM REINFORCING PLAN  
B2A 3/4" = 1'-0"

1 3 5 7 9 11 13 14 12 10 8 6 4 2

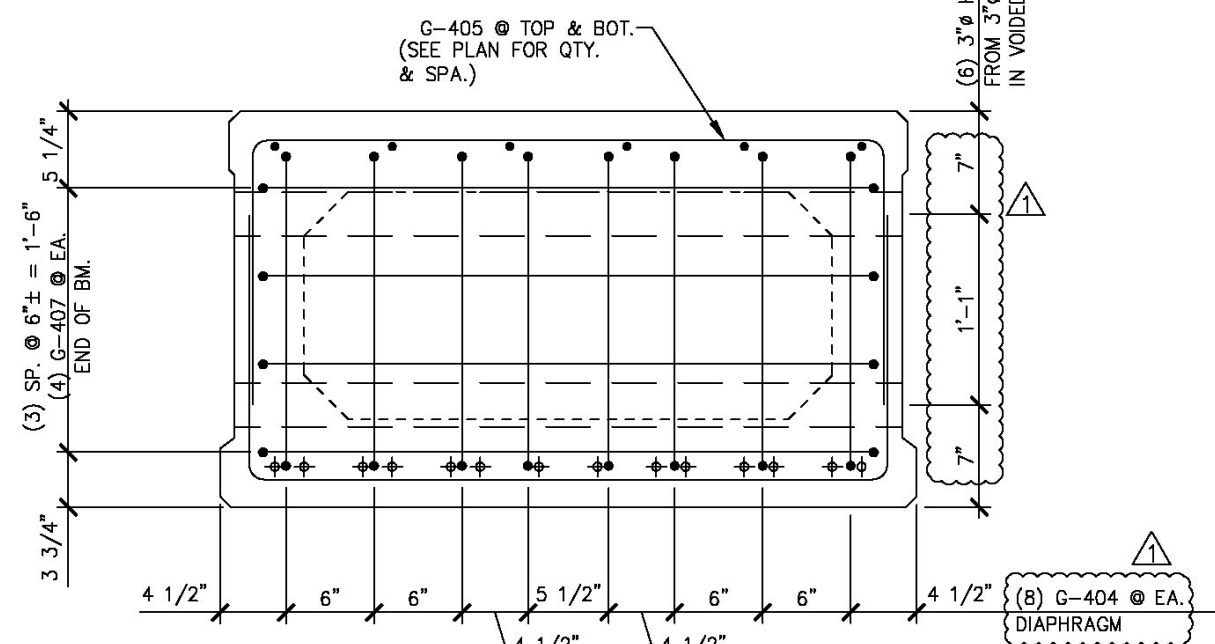
DETENSIONING SCHEDULE  
N.T.S.



A REINFORCING SECTION  
B2A 1" = 1'-0"



B END BLOCK REINF. SECTION  
B2A 1" = 1'-0"



C P.T. DIAPHRAGM REINF. SECTION  
B2A 1" = 1'-0"

Vermont Agency of Transportation  
**RECEIVED**  
CK'D BY MJC OK'D BY TAS  
June 18, 2014  
RESUBMIT No Approved  
BY M. J. Chenette DATE 06/19/2014

**SHOP DRAWING REVIEW**

REVIEWED AS REQUIRED BY THE CONSTRUCTION CONTRACT DOCUMENTS AND APPROVED, BUT ONLY FOR CONFORMANCE TO THE DESIGN CONCEPT OF THE WORK, AND SUBJECT TO FURTHER LIMITATIONS AND REQUIREMENTS CONTAINED IN THE CONSTRUCTION CONTRACT DOCUMENTS.

REJECTED  REVISE AND RESUBMIT  FURNISH AS CORRECTED

CORRECTIONS OR COMMENTS MADE ON THE SHOP DRAWINGS DURING THIS REVIEW DO NOT RELIEVE CONTRACTOR FROM COMPLIANCE WITH REQUIREMENTS OF THE DRAWINGS AND SPECIFICATIONS. THIS CHECK IS ONLY FOR REVIEW OF GENERAL CONFORMANCE WITH THE DESIGN CONCEPT OF THE PROJECT AND GENERAL COMPLIANCE WITH THE INFORMATION GIVEN IN THE CONTRACT DOCUMENTS. THE CONTRACTOR IS RESPONSIBLE FOR CONFIRMING AND CORRELATING ALL QUANTITIES AND DIMENSIONS; SELECTING FABRICATION PROCESSES AND TECHNIQUES OF CONSTRUCTION; COORDINATING HIS WORK WITH THAT OF ALL OTHER TRADES; AND PERFORMING HIS WORK IN A SAFE AND SATISFACTORY MANNER.

**VHB Vanasse Hangen Brustlin, Inc.**  
7056 US Route 7 North Ferrisburgh, VT 05473 802.425.7788  
Job Number: 57427.00  
Reviewed By: S.E. Burbank  
Date: 06/19/2014

MARK: G-B2 QTY.: 3

MATERIAL LIST / BEAM				
ITEM	MARK	DESCRIPTION	QTY.	
1	G-401	#4 BENT BAR (LEVEL II - DUAL COATED)	72	
2	G-402	#4 BENT BAR (LEVEL II - DUAL COATED)	52	
3	G-403	#4 BENT BAR (LEVEL II - DUAL COATED)	8	
4	G-404	#4 BENT BAR (LEVEL II - DUAL COATED)	64	
5	G-405	#4 BENT BAR (LEVEL II - DUAL COATED)	8	
6	G-406	#4 BENT BAR (LEVEL II - DUAL COATED)	4	
7	G-407	#4 BENT BAR (LEVEL II - DUAL COATED)	24	
8				
9				
10				
11				
12				
13				
14				
15				
16		#5 x 27'-7" (LEVEL II - DUAL COATED)	6	
17		#5 x 32'-7" (LEVEL II - DUAL COATED)	6	
18				
19				
20				
21				
22				
23				
24				
25				

APPROVAL STAMP:

**J.P. CARRARA & SONS INC.**  
Precast & Prestress Manufacturer N.T.S.  
244 OASE ST., MIDDLEBURY, VERMONT 05753 Phone:(802)388-6361 Fax:(802)388-9010

STATE OF VERMONT AGENCY OF TRANSPORTATION  
COUNTY OF WINDHAM

TOWN OF GUILFORD  
ROUTE NO. T.H.10, CLASS III (LOCAL ROAD)  
BRIDGE NO.: 65 PROJECT NO.: BRO 1442 (36)

PRESTRESSED BOX BEAM  
REINFORCING DETAILS

DATE: MAR. 04, 2014  
SCALE: NOTED  
CHKD: JJ/KLT DFTM:AA1/RWS  
JOB NO: 23420-014  
DWG. NO: B2A

**Eriksson technologies**  
813.989.3317  
TAMPA, FL LRFD.COM  
© 2014 ERIKSSON TECHNOLOGIES, INC. ALL RIGHTS RESERVED

S:\Engineering Services\Carrara\14001 - Guilford Bridge 65\Production Drawings\AutoCAD Files\144236-B2a.dwg, 5/16/2014, 4:44:28 PM, DWG To PDF.pc3