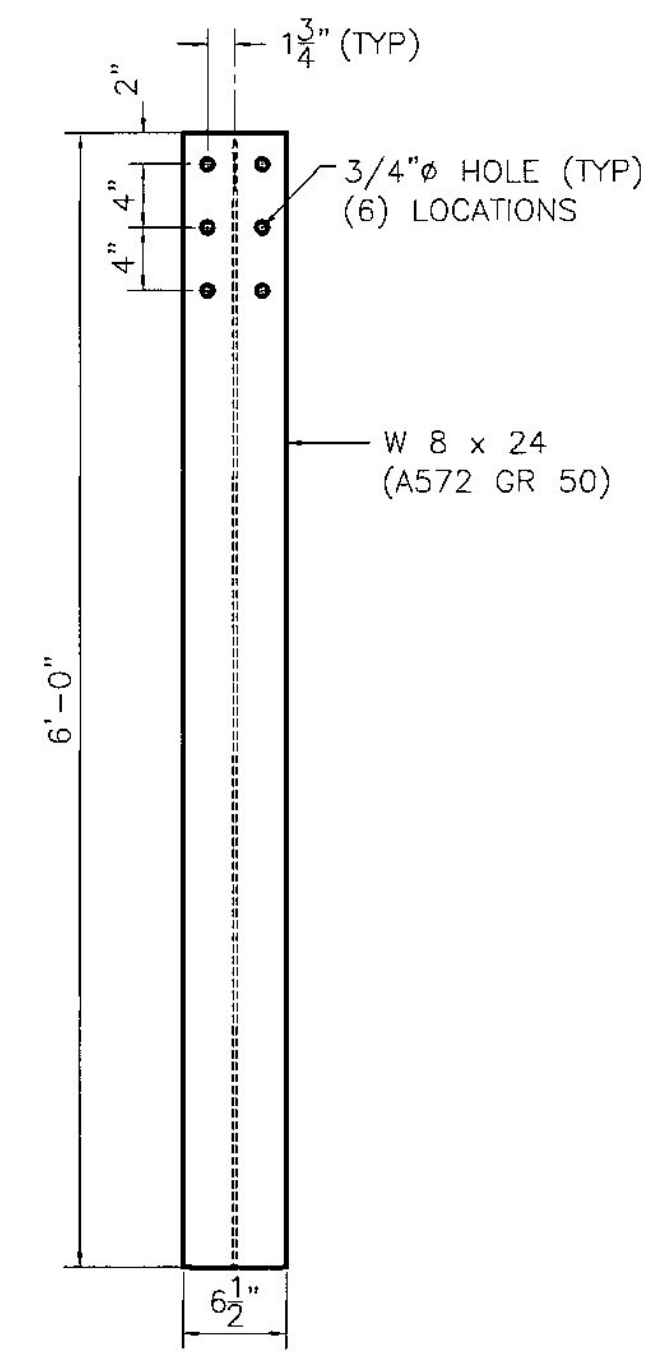


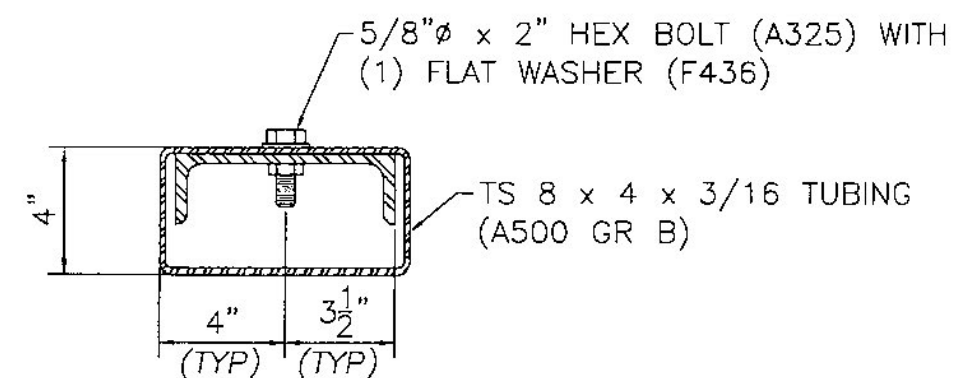
FASCIA MOUNTED POST WITH CURB  
W6x20 (A572 GR 50)



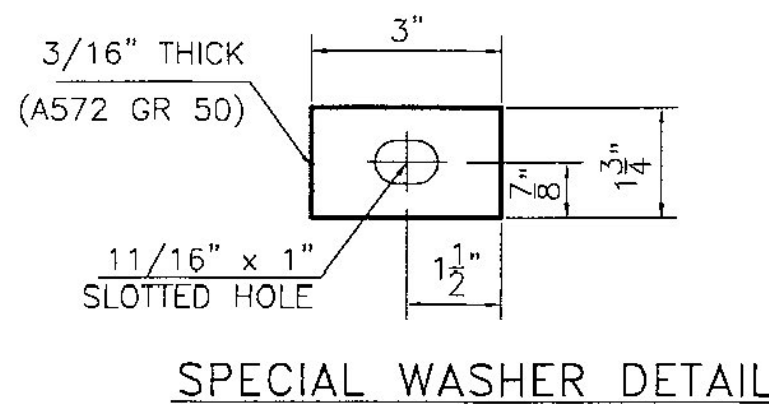
TRANSITION POST  
W8x24 (A572 GR 50)

NOTES

1. ALL WORK AND MATERIALS SHALL CONFORM TO SECTION 525
2. PRIOR TO GALVANIZING THE ASSEMBLED POST, GRIND ALL EDGES TO A MINIMUM 1/16" RADIUS
3. ALL POSTS SHALL BE SET NORMAL TO GRADE
4. SPLICES FOR THE STEEL BEAM GUARDRAIL SHALL LAP IN THE DIRECTION OF TRAFFIC
5. A RAILING JOINT SPLICE SHALL BE PROVIDED IN ANY RAIL BAY SPANNING THE END OF AN INTEGRAL ABUTMENT BRIDGE AND AT ALL SUPERSTRUCTURE EXPANSION JOINTS
6. SEE VAOT STANDARD DRAWING G-1 FOR DETAILS OF DELINEATORS. A DELINEATOR SHALL BE INSTALLED AT 30 FT SPACING OR THE NEAREST POST. WHITE IS TO BE INSTALLED ON THE DRIVERS RIGHT. FOR THIS ONE WAY BRIDGE, YELLOW IS TO BE INSTALLED ON THE DRIVERS LEFT
7. FOR RADII LESS THAN 950 FEET, HSS 8 X 4 TUBES SHALL BE SHOP BENT TO FIT THE APPLICABLE CURVE
8. HOLES IN THE RAIL FOR TUBE ATTACHEMENT MAY BE FIELD DRILLED. FIELD DRILLED HOLES SHALL BE COATED WITH IN APPROVED ZINC RICH PAINT PRIOR TO INSTALLATION
9. SEE STANDARD G-1 AND G-1d FOR ADDITIONAL DETAILS CONCERNING GUARDRAIL.



PARTIAL SECTION B-B  
SHOWING TUBE & SPLICE ONLY



SPECIAL WASHER DETAIL

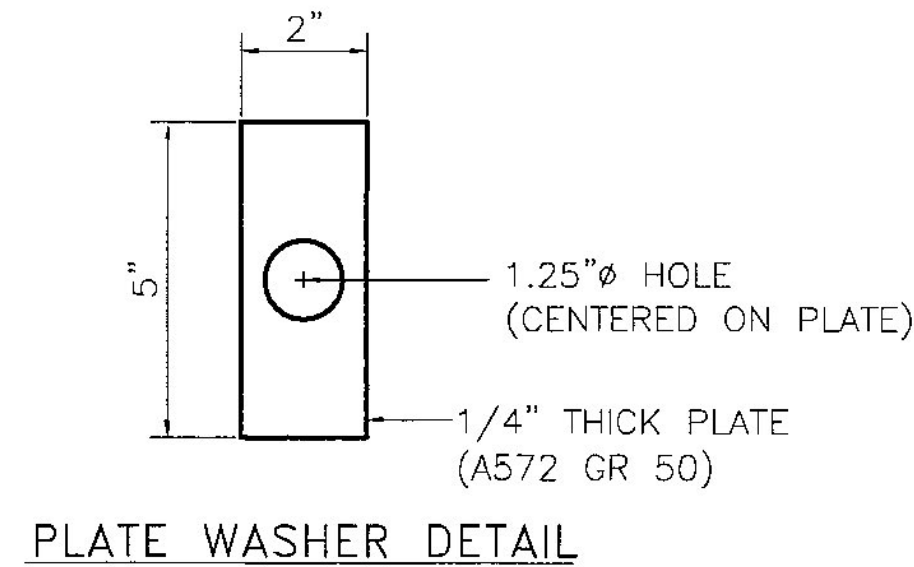
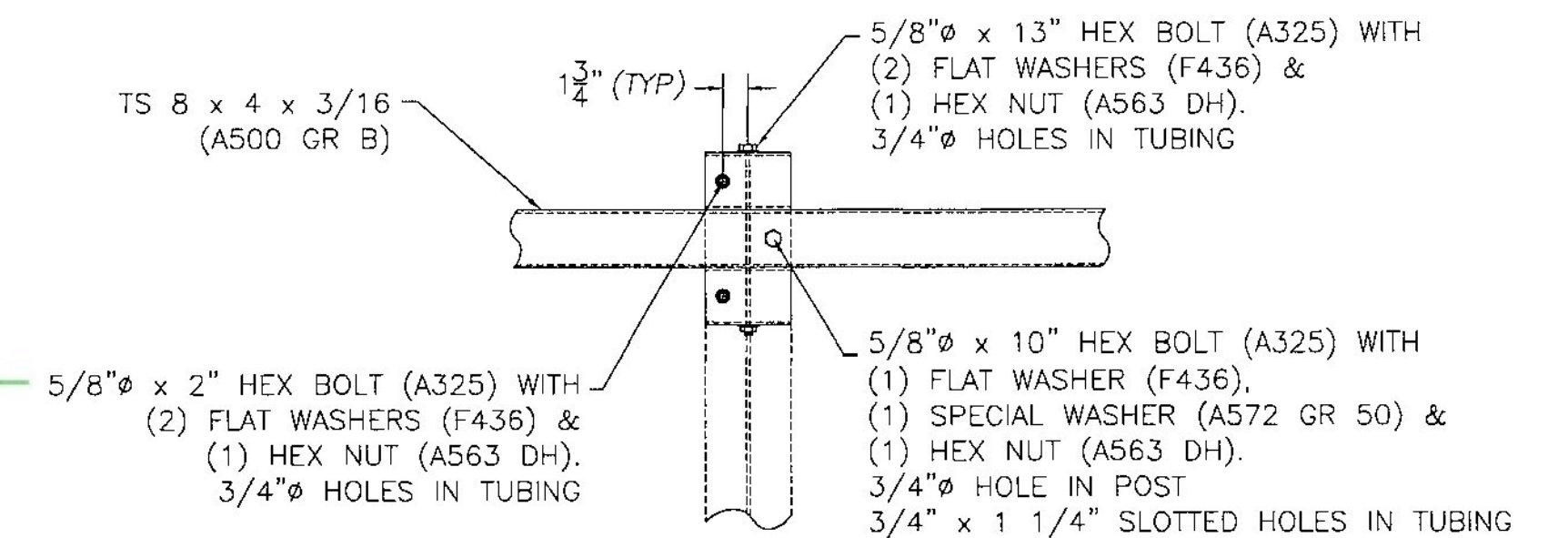
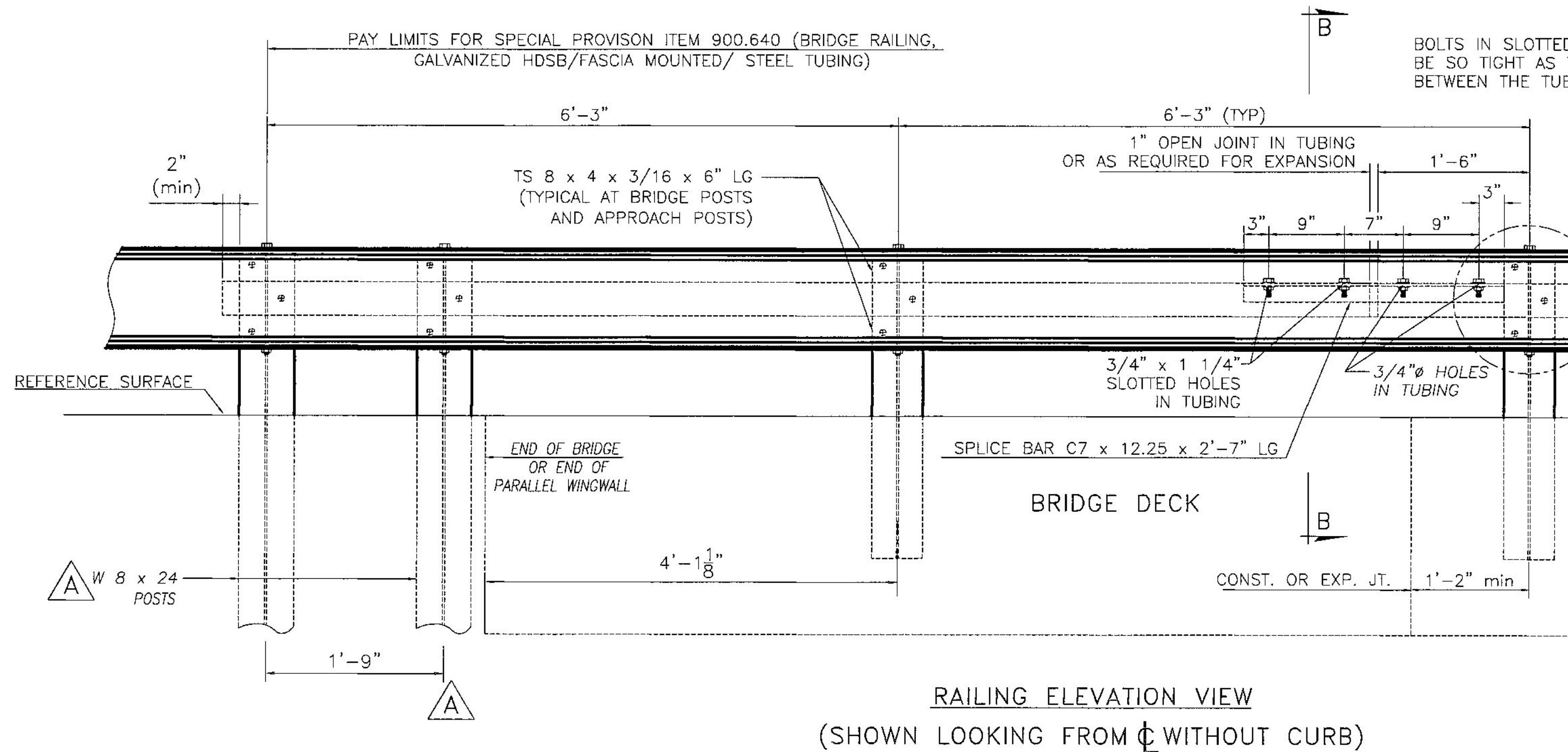


PLATE WASHER DETAIL

CK'D BY MJC OK'D BY TAS  
 April 14, 2014  
 RESUBMIT No Approved  
 BY M. J. Chenette DATE 04/24/2014



DETAIL "C"  
STEEL BEAM GUARD RAIL NOT SHOWN



RAILING ELEVATION VIEW  
(SHOWN LOOKING FROM CL WITHOUT CURB)

SHOP DRAWING REVIEW

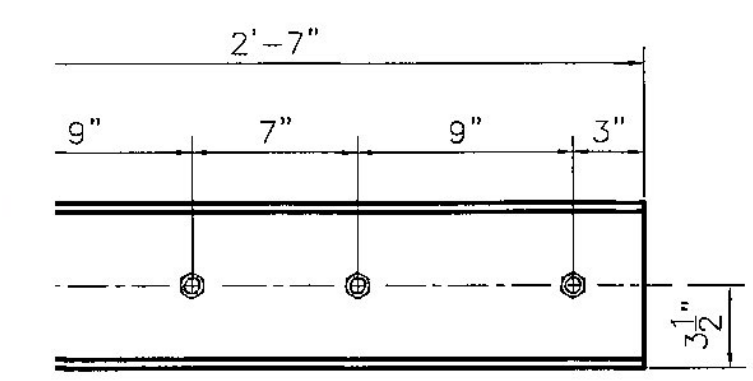
REVIEWED AS REQUIRED BY THE CONSTRUCTION CONTRACT DOCUMENTS AND APPROVED, BUT ONLY FOR CONFORMANCE TO THE DESIGN CONCEPT OF THE WORK, AND SUBJECT TO FURTHER LIMITATIONS AND REQUIREMENTS CONTAINED IN THE CONSTRUCTION CONTRACT DOCUMENTS.

REJECTED  REVISE AND RESUBMIT  FURNISH AS CORRECTED

CORRECTIONS OR COMMENTS MADE ON THE SHOP DRAWINGS DURING THIS REVIEW DO NOT RELIEVE CONTRACTOR FROM COMPLIANCE WITH REQUIREMENTS OF THE DRAWINGS AND SPECIFICATIONS. THIS CHECK IS ONLY FOR REVIEW OF GENERAL CONFORMANCE WITH THE DESIGN CONCEPT OF THE PROJECT AND GENERAL COMPLIANCE WITH THE INFORMATION GIVEN IN THE CONTRACT DOCUMENTS. THE CONTRACTOR IS RESPONSIBLE FOR: CONFIRMING AND CORRELATING ALL QUANTITIES AND DIMENSIONS; SELECTING FABRICATION PROCESSES AND TECHNIQUES OF CONSTRUCTION; COORDINATING HIS WORK WITH THAT OF ALL OTHER TRADES; AND PERFORMING HIS WORK IN A SAFE AND SATISFACTORY MANNER.

**Vanasse Hangen Brustlin, Inc.**  
 7058 US Route 7  
 North Ferrisburgh, VT 05473  
 802.425.7788

Job Number: **57427.00**  
 Reviewed By: **E.A.FIALA**  
 Date: **04-22-2014**



BAR DETAIL

<b>HIGHWAY SAFETY CORP</b>	
GLASTONBURY, CT 860-633-9445	
900.640 SPECIAL PROVISION (BRIDGE RAILING GALVANIZED, HDSB FASCIA MOUNTED/STEEL TUBING)	
TOWN OF GUILFORD, VT - WINDHAM COUNTY RT TH10 BRIDGE 65 - BRO 1442(36)	HSSC JOB NO. <b>1977</b>
GENERAL CONTRACTOR	SHEET NO. <b>2 of 2</b>
SUB CONTRACTOR LAFAYETTE	
DRAWN PAR	CHECKED DATE 03-03-14 SCALE NONE SIZE D