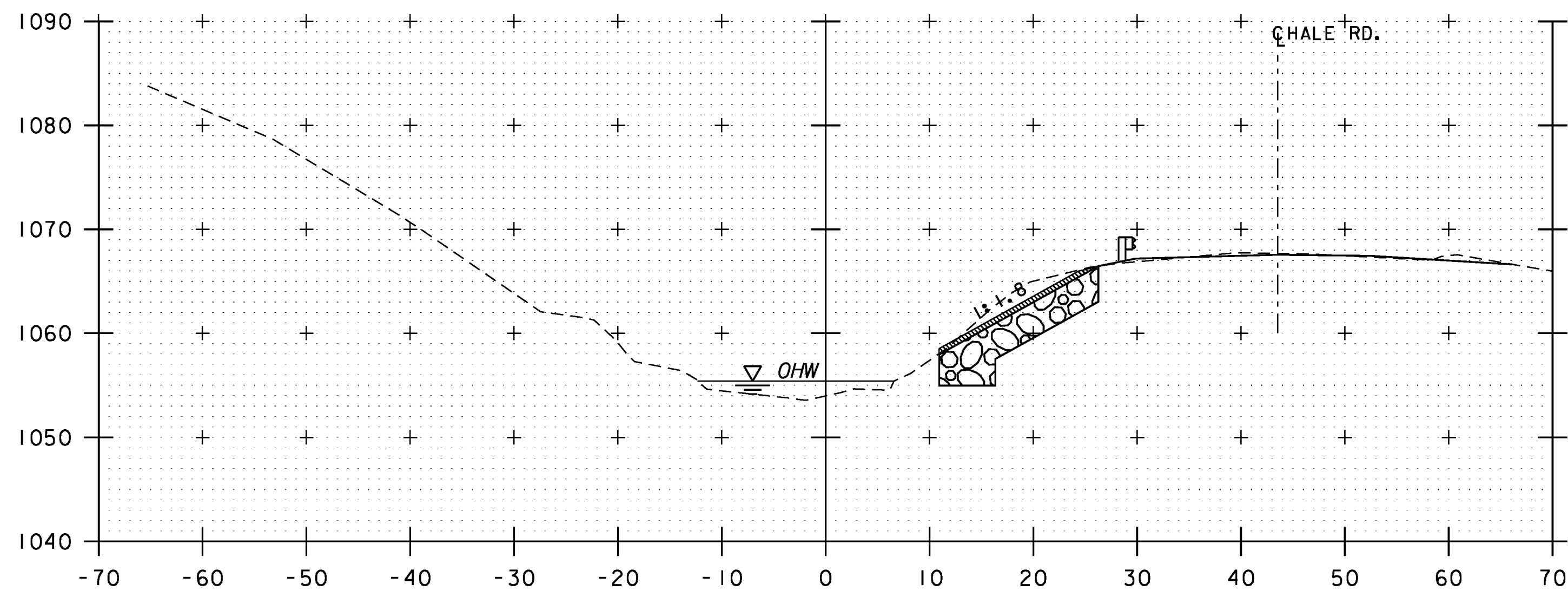
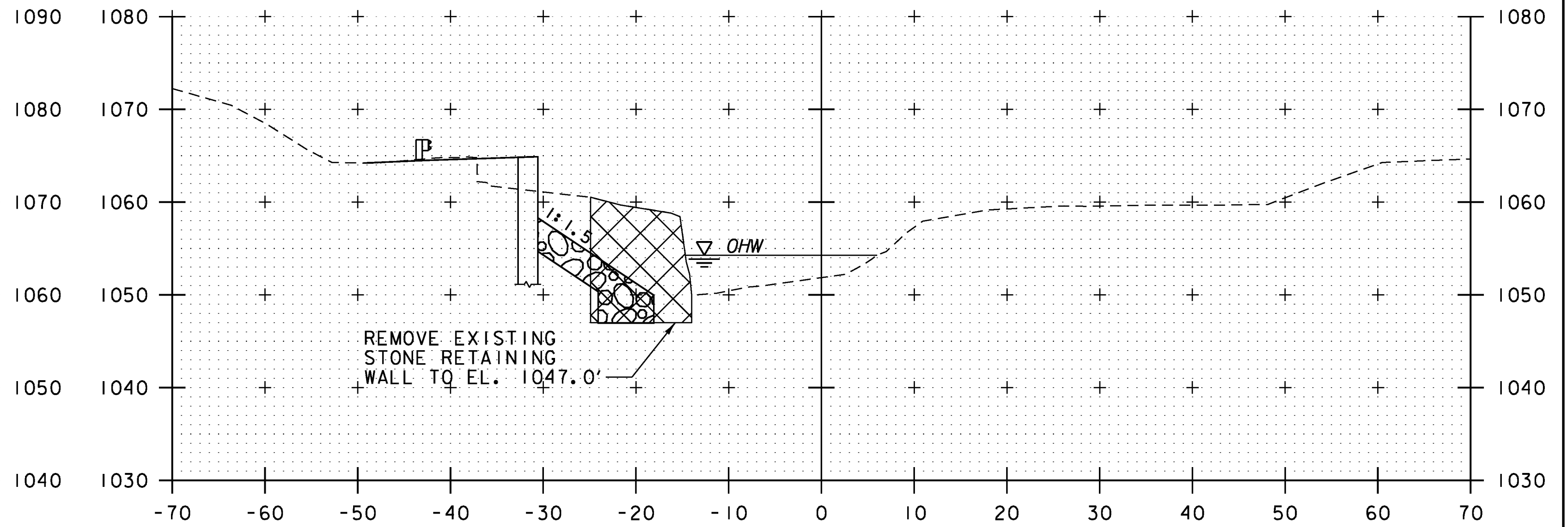


11+25



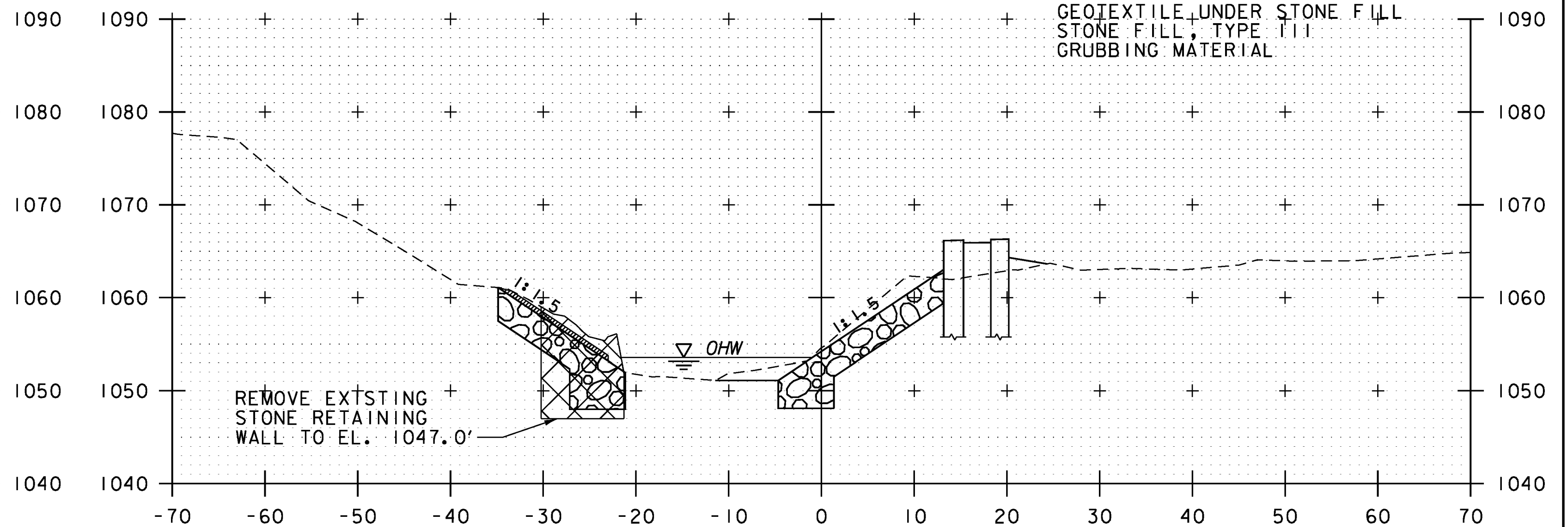
11+00



STA. 11+56, LT
END GRUBBING MATERIAL

11+75

STA. 11+63, RT
BEGIN GRUBBING MATERIAL



STA. 11+40, LT
BEGIN UNCLASSIFIED CHANNEL EXCAVATION
GEOTEXTILE UNDER STONE FILL
STONE FILL, TYPE III
GRUBBING MATERIAL

11+50

STA. 11+33, RT
END GRUBBING MATERIAL

CHANNEL CROSS SECTIONS
STA. 11+00 - STA. 11+75

SCALE 1" = 10'-0"
10 0 10



PROJECT NAME: GUILFORD
PROJECT NUMBER: BRO 1442(36)

FILE NAME: z10j064xsl.dgn
PROJECT LEADER: S.E. BURBANK
DESIGNED BY: E.A. FIALA
CHANNEL CROSS SECTIONS (2 OF 4)

PLOT DATE: 10/2/2013
DRAWN BY: E.A. FIALA
CHECKED BY: S.E. BURBANK
SHEET 34 OF 42