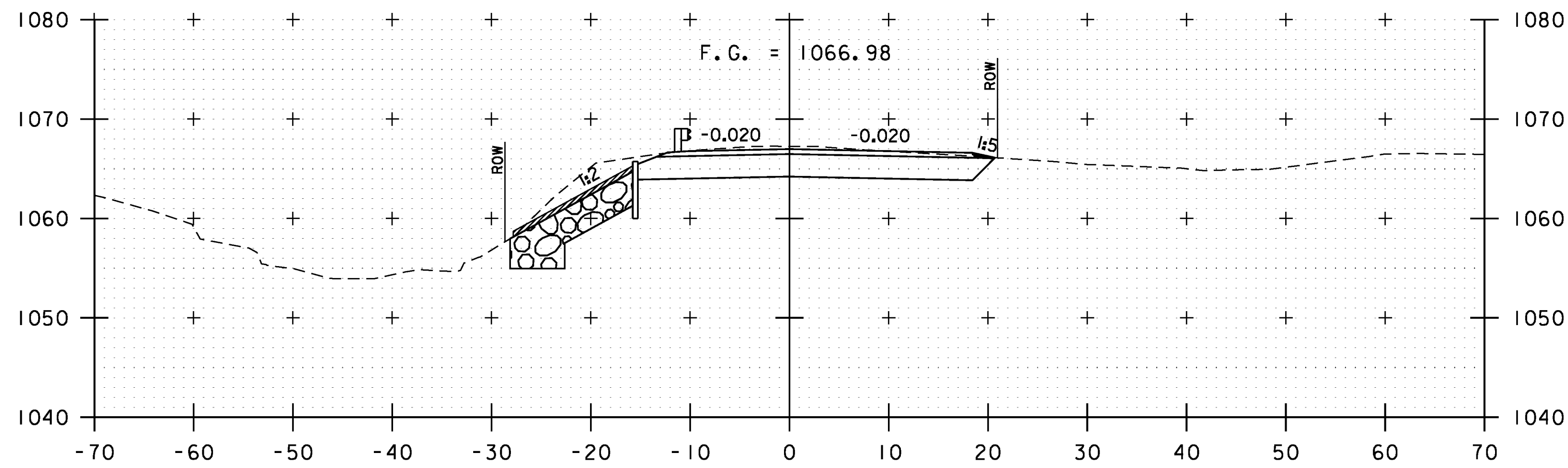
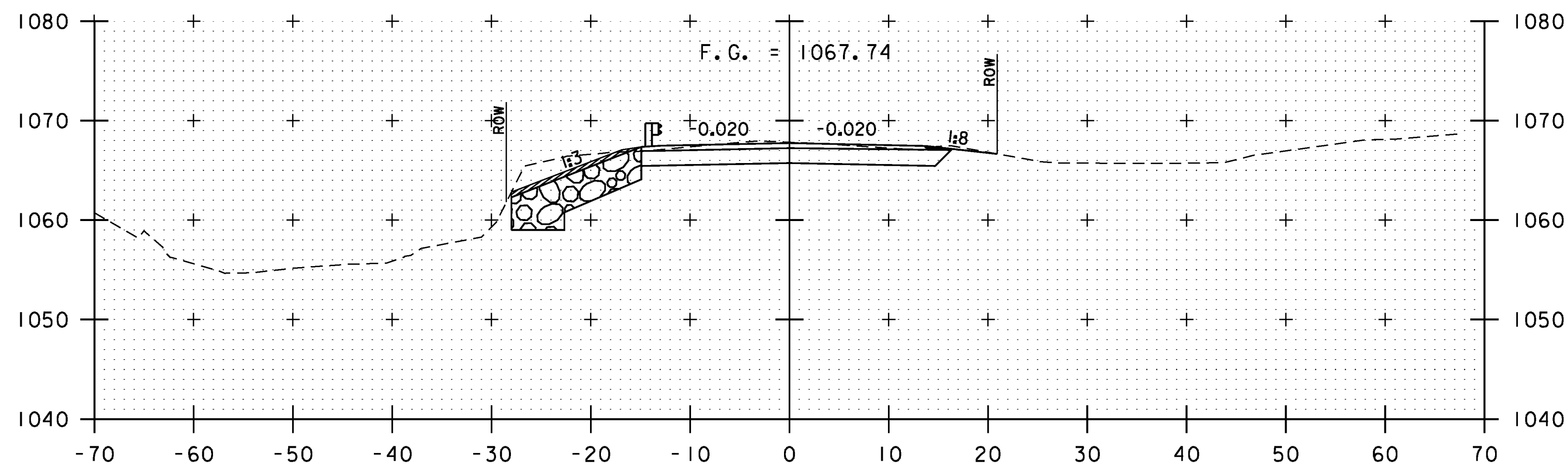


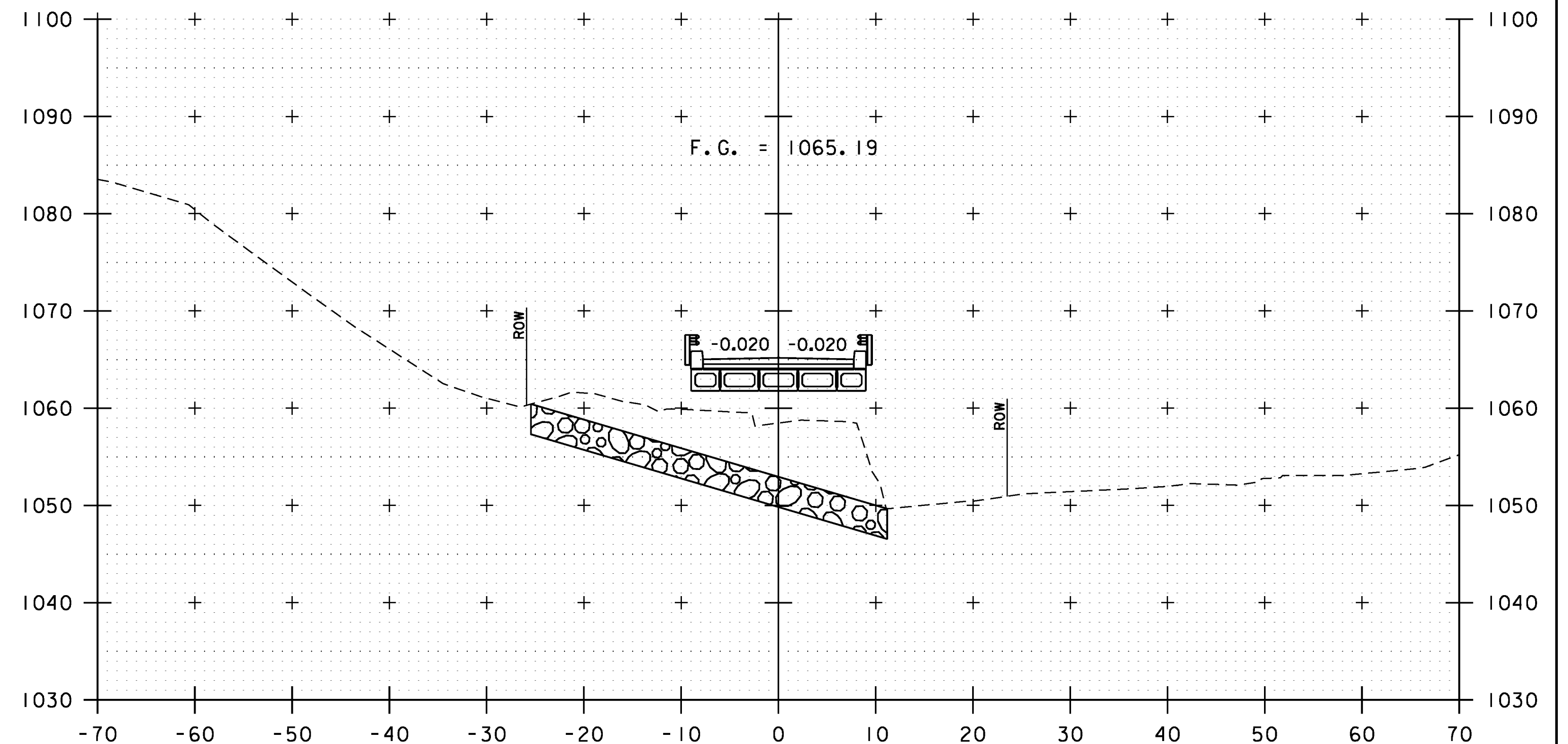
102+50



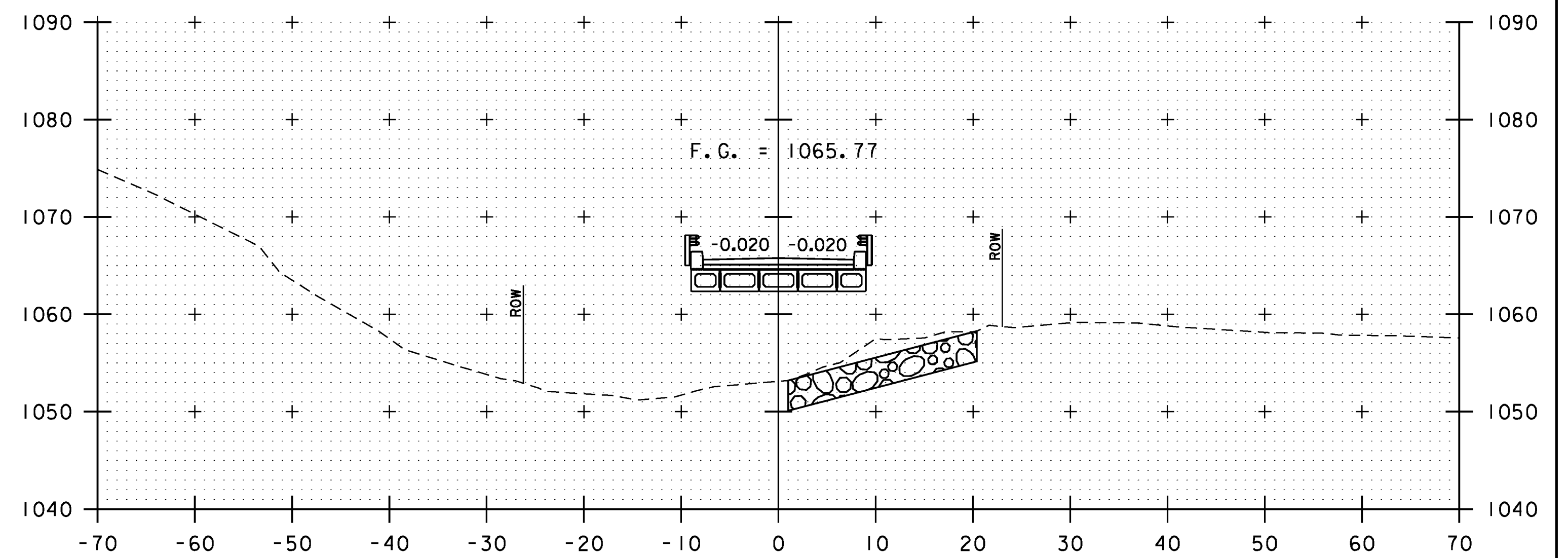
102+25



102+00



103+00



102+75

BEGIN BRIDGE
STA 102+57.00

ROADWAY CROSS SECTIONS
SCALE 1"=10'-0"
STA. 102+00 TO STA. 103+00



PROJECT NAME: GUILFORD
PROJECT NUMBER: BRO 1442(36)

FILE NAME: z10j064xsl.dgn
PROJECT LEADER: S.E. BURBANK
DESIGNED BY: E.A. FIALA
ROADWAY CROSS SECTIONS (2 OF 3)

PLOT DATE: 10/2/2013
DRAWN BY: E.A. FIALA
CHECKED BY: S.E. BURBANK
SHEET 31 OF 42