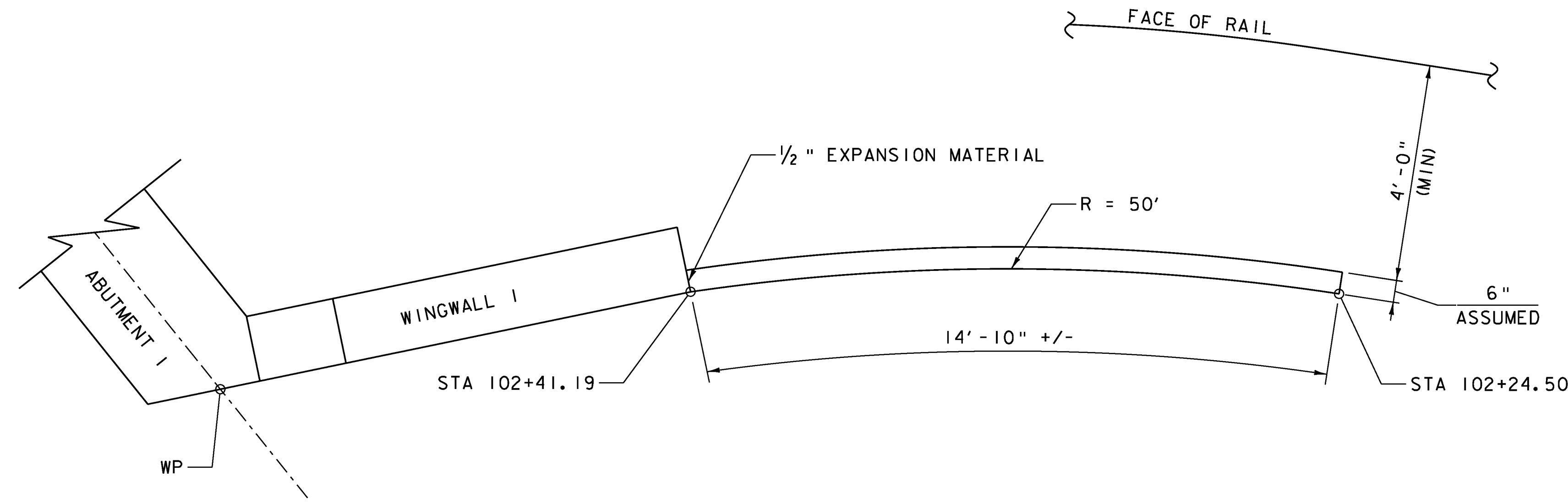


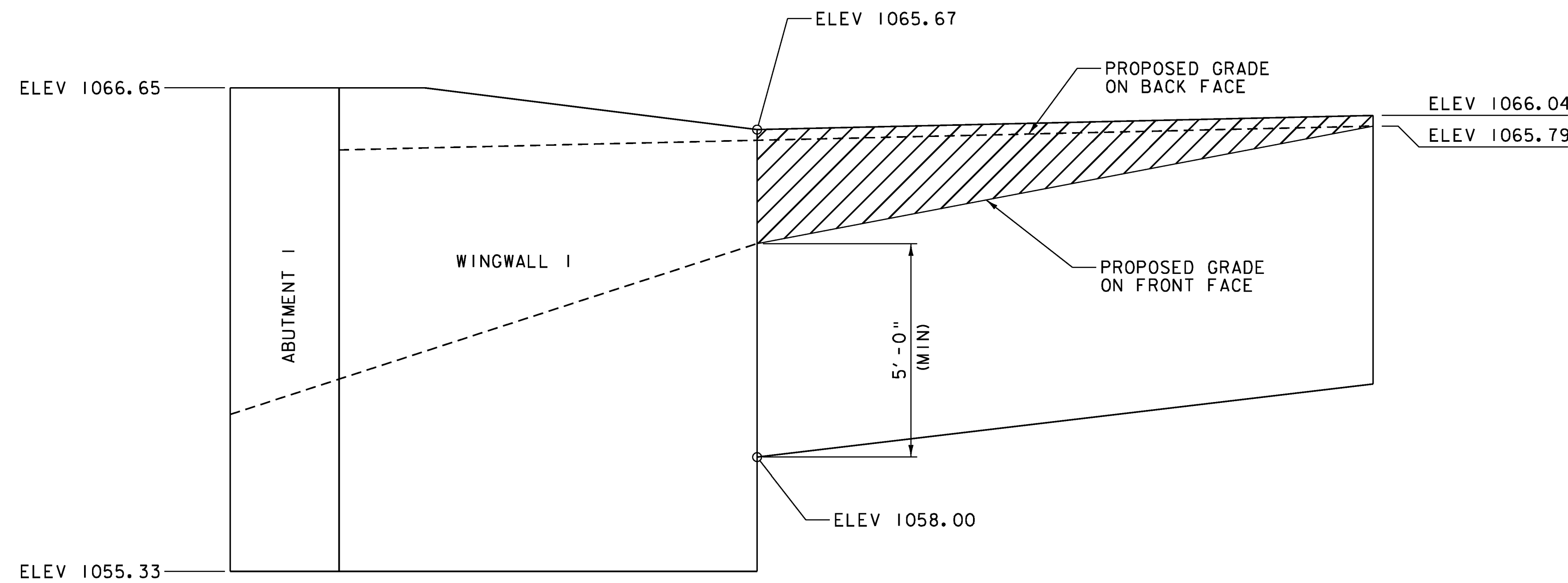
**NOTE:**

1. THE WALL SHALL BE PAID FOR UNDER ITEM 900.670 "SPECIAL PROVISION (RETAINING WALL)". SEE THE SPECIAL PROVISIONS FOR INFORMATION AND REQUIREMENTS.



**RETAINING WALL PLAN VIEW**

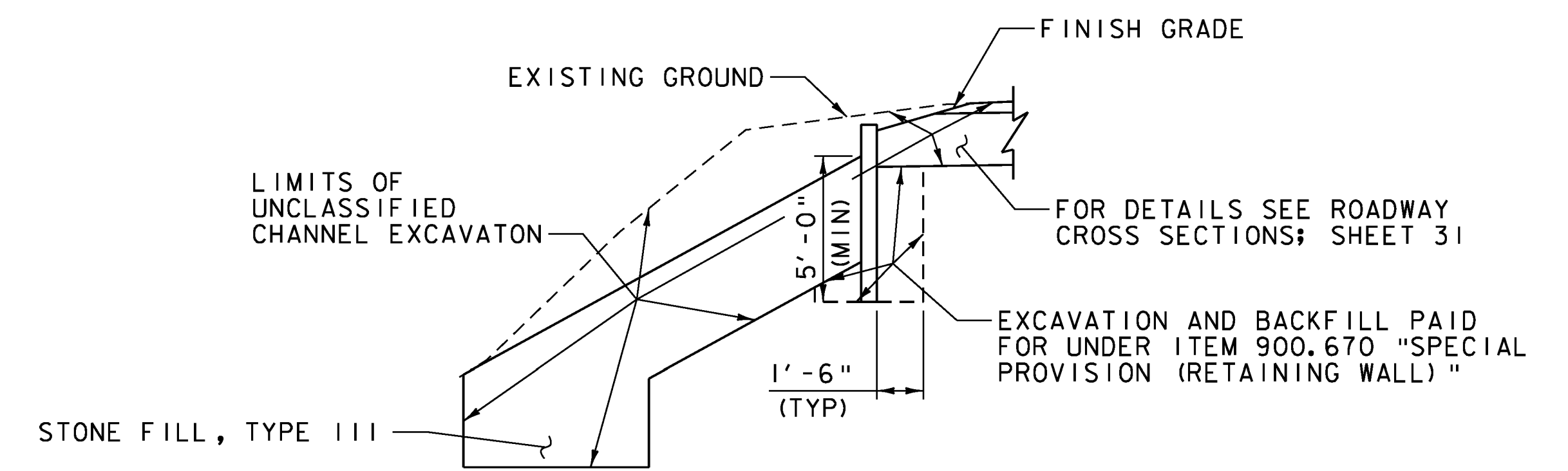
SCALE 1/2" = 1'-0"



**RETAINING WALL ELEVATION VIEW**

SCALE 1/2" = 1'-0"

PAY LIMITS OF ITEM 900.670 "SPECIAL PROVISION (RETAINING WALL)"



**RETAINING WALL EXCAVATION DETAIL**

NOT TO SCALE



PROJECT NAME: GUILFORD	
PROJECT NUMBER: BRO 1442(36)	
FILE NAME: z10j064sub.dgn	PLOT DATE: 10/2/2013
PROJECT LEADER: S.E. BURBANK	DRAWN BY: A.J. GOUDREAU
DESIGNED BY: A.J. GOUDREAU	CHECKED BY: S.E. BURBANK
RETAINING WALL DETAILS	SHEET 27 OF 42