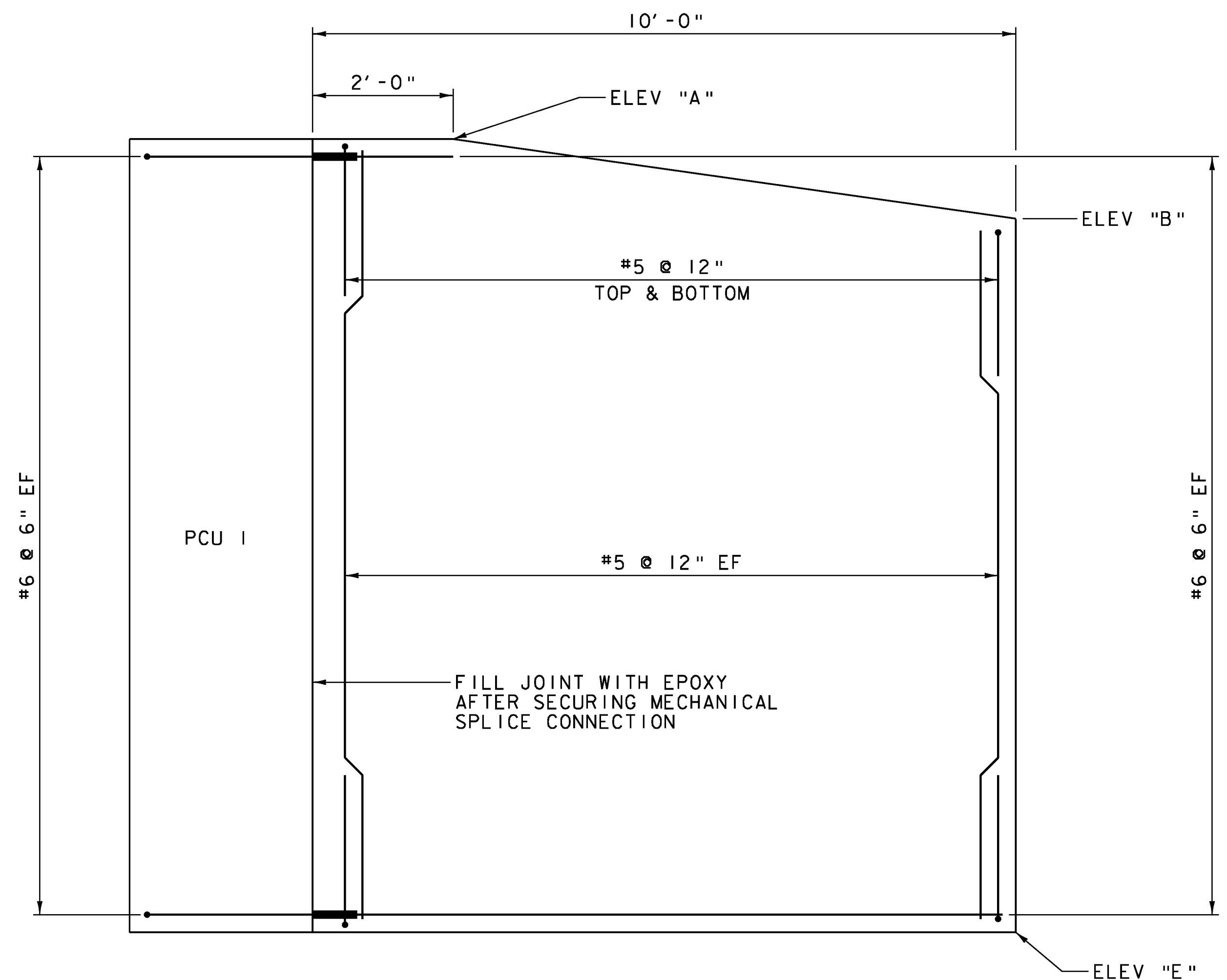


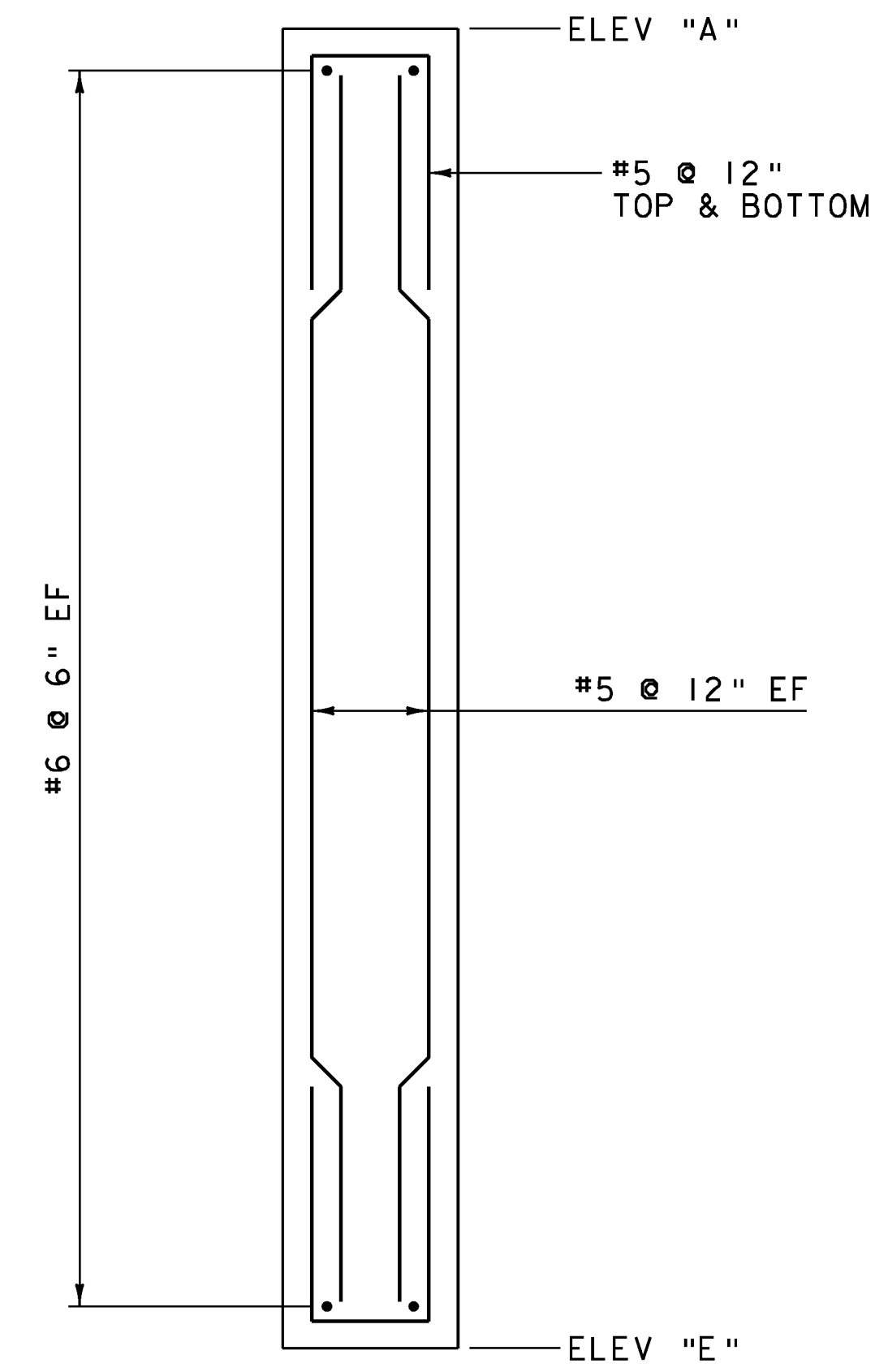
PCU 2 PLAN  
SCALE 3/4" = 1'-0"



PCU 2 ELEVATION  
SCALE 3/4" = 1'-0"

PCU 2 ELEVATIONS

	WW1 (NW)	WW2 (SW)	WW3 (NE)	WW4 (SE)
ELEV "A"	1066.65	1066.50	1065.36	1065.20
ELEV "B"	1065.67	1065.40	1063.78	1063.56
ELEV "E"	1055.33	1055.33	1054.03	1054.03
ANGLE "H"	63°	110°	110°	70°



PCU 2 TYPICAL  
SCALE 3/4" = 1'-0"

**NOTE:**  
 NF = NEAR FACE  
 FF = FAR FACE  
 EF = EACH FACE  
 ▲ = CUT TO FIT IN FIELD  
 3" CLEAR, UNLESS OTHERWISE SPECIFIED ON THE PLANS.  
 2'-2" BAR LAP UNLESS OTHERWISE SPECIFIED ON THE PLANS.

PROJECT NAME:	GUILFORD	PLOT DATE:	10/2/2013
PROJECT NUMBER:	BRO 1442(36)	DRAWN BY:	A.J. GOUDREAU
FILE NAME:	z10j064sub.dgn	DESIGNED BY:	G.H. NEAL
PROJECT LEADER:	S.E. BURBANK	CHECKED BY:	J.T. KLEIN
WINGWALL DETAILS		SHEET	26 OF 42

