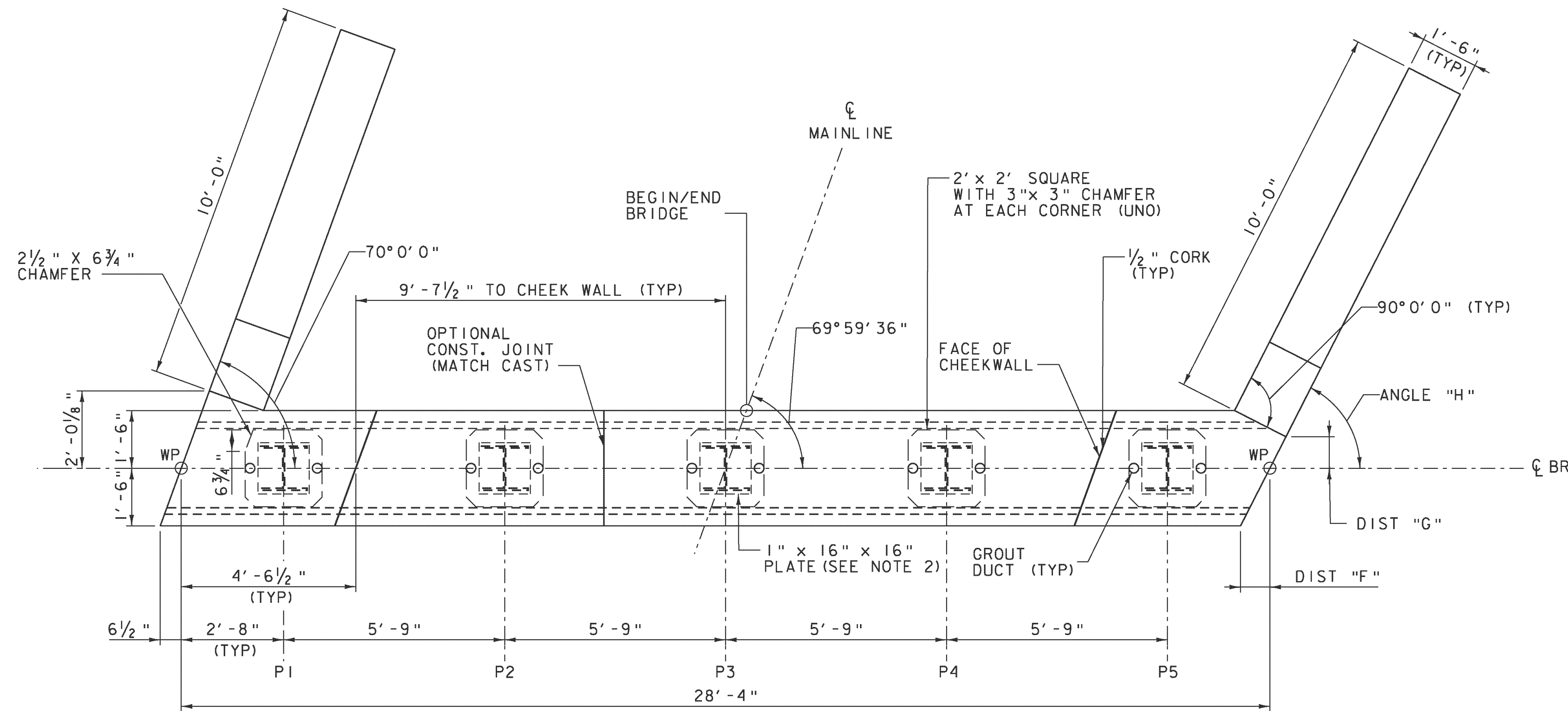


PCU I ELEVATIONS

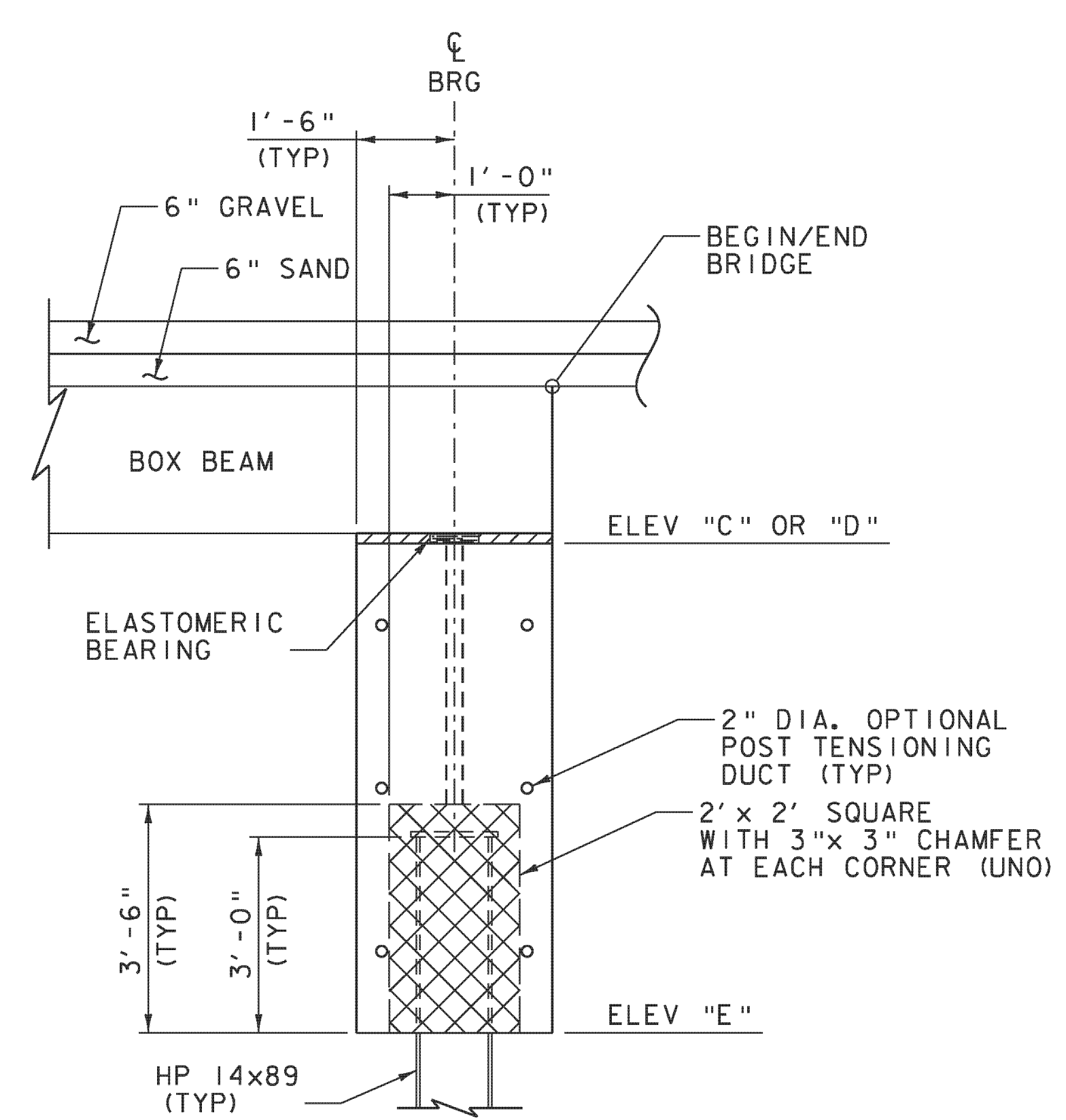
	AB1	AB2
ELEV "A"	1066.50	1065.36
ELEV "B"	1066.65	1065.20
ELEV "C"	1062.67	1061.53
ELEV "D"	1062.83	1061.38
ELEV "E"	1055.33	1054.03
DIST "F"	9 <sup>3</sup> / <sub>16</sub> "	6 <sup>7</sup> / <sub>16</sub> "
DIST "G"	9 <sup>13</sup> / <sub>16</sub> "	11 <sup>13</sup> / <sub>16</sub> "
ANGLE "H"	63°	70°

LEGEND

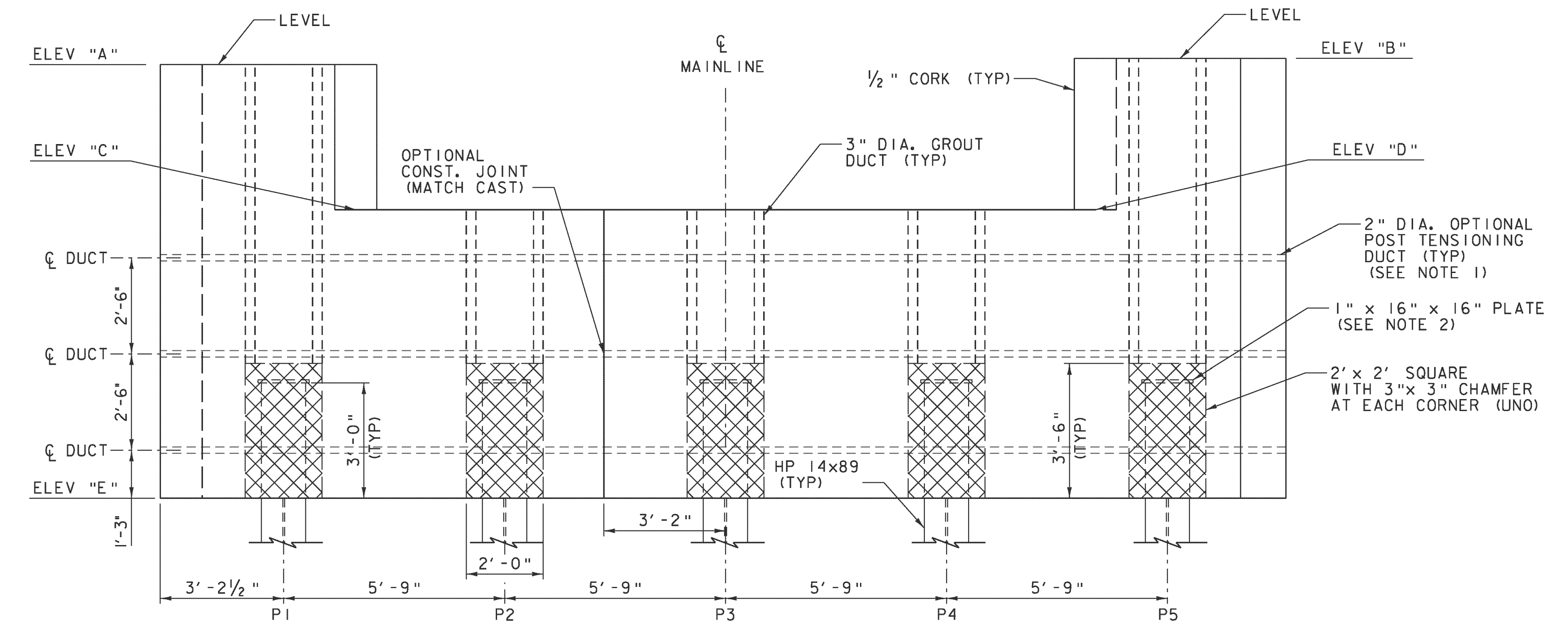
 SPECIAL PROVISION (HIGH PERFORMANCE CONCRETE, RAPID SET) (FPQ)



PCU I PLAN  
SCALE 1/2" = 1'-0"



PCU I TYPICAL  
SCALE 1/2" = 1'-0"



PCU I ELEVATION  
SCALE 1/2" = 1'-0"

- NOTES:
1. POST TENSIONING AND ASSOCIATED ITEMS ONLY REQUIRED IF PILE CAP IS CONSTRUCTED OF MORE THAN ONE UNIT.
  2. ONCE PILES HAVE BEEN CUT TO THEIR FINAL ELEVATIONS, 1" X 16" X 16" STEEL PLATES SHALL BE WELDED TO THE TOP OF THE PILES. PAYMENT FOR THE PLATES SHALL BE INCIDENTAL TO ITEM 505.18, "STEEL PILING, HP 14X89".

PROJECT NAME:	GUILFORD
PROJECT NUMBER:	BRO 1442(36)
FILE NAME:	z10j064sub.dgn
PROJECT LEADER:	S.E. BURBANK
DESIGNED BY:	G.H. NEAL
ABUTMENT PLAN & ELEVATION	
PLOT DATE:	10/2/2013
DRAWN BY:	A.J. GOUDREAU
CHECKED BY:	J.T. KLEIN
SHEET	24 OF 42