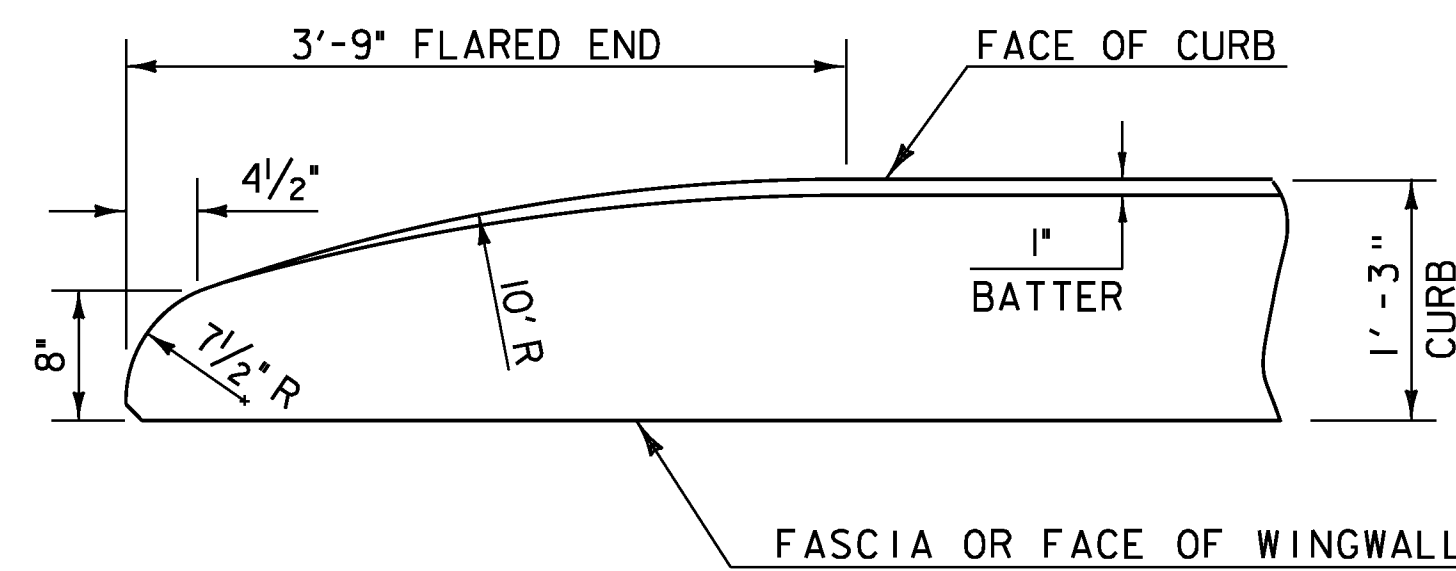


FRAMING PLAN FOR BOX BEAM UNITS
SCALE 1/4" = 1'-0"

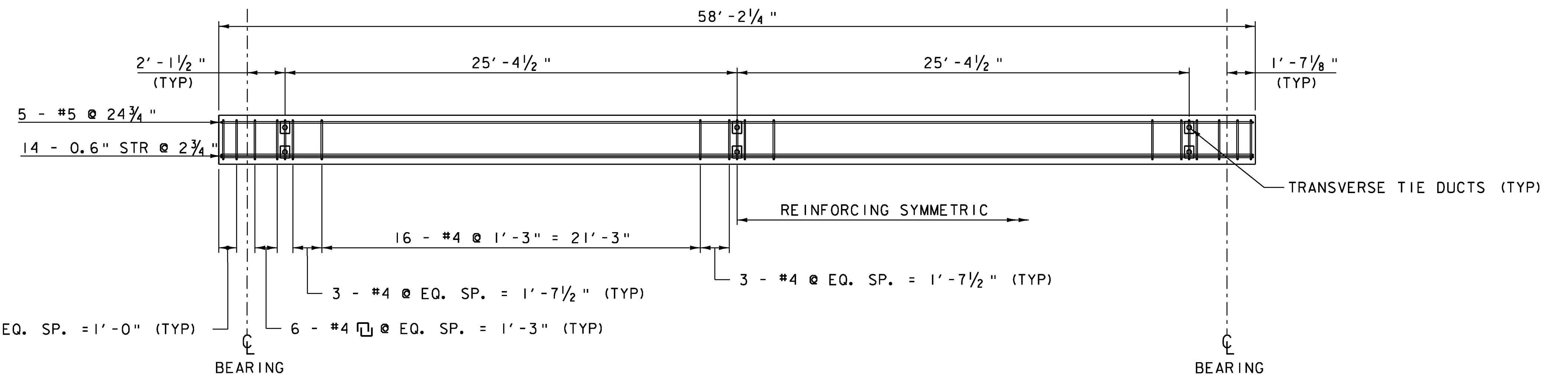


FLARED END DETAIL FOR 1'-3" CURB

CURB REINFORCING STIRRUP BARS SHALL BE TURNED AS REQUIRED TO FIT FLARED ENDS.

NOTE:

NF = NEAR FACE
FF = FAR FACE
EF = EACH FACE
▲ = CUT TO FIT IN FIELD
3" CLEAR, UNLESS OTHERWISE SPECIFIED ON THE PLANS.
2'-2" BAR LAP UNLESS OTHERWISE SPECIFIED ON THE PLANS.



ELEVATION VIEW FOR BOX BEAM UNITS
SCALE 1/4" = 1'-0"

- NOTES:**
1. SEE END AND INTERMEDIATE DIAGRAM REINFORCING DETAILS FOR BEAM STIRRUP SPACING AND LAYOUT.
 2. CURB NOT SHOWN FOR CLARITY

PROJECT NAME: GUILFORD
PROJECT NUMBER: BRO 1442(36)

FILE NAME: z10j064sup.dgn
PROJECT LEADER: S.E. BURBANK
DESIGNED BY: G.H. NEAL
FRAMING PLAN

PLOT DATE: 10/2/2013
DRAWN BY: J.L. LEMIEUX
CHECKED BY: A.F. PREZIOSO
SHEET 20 OF 42

