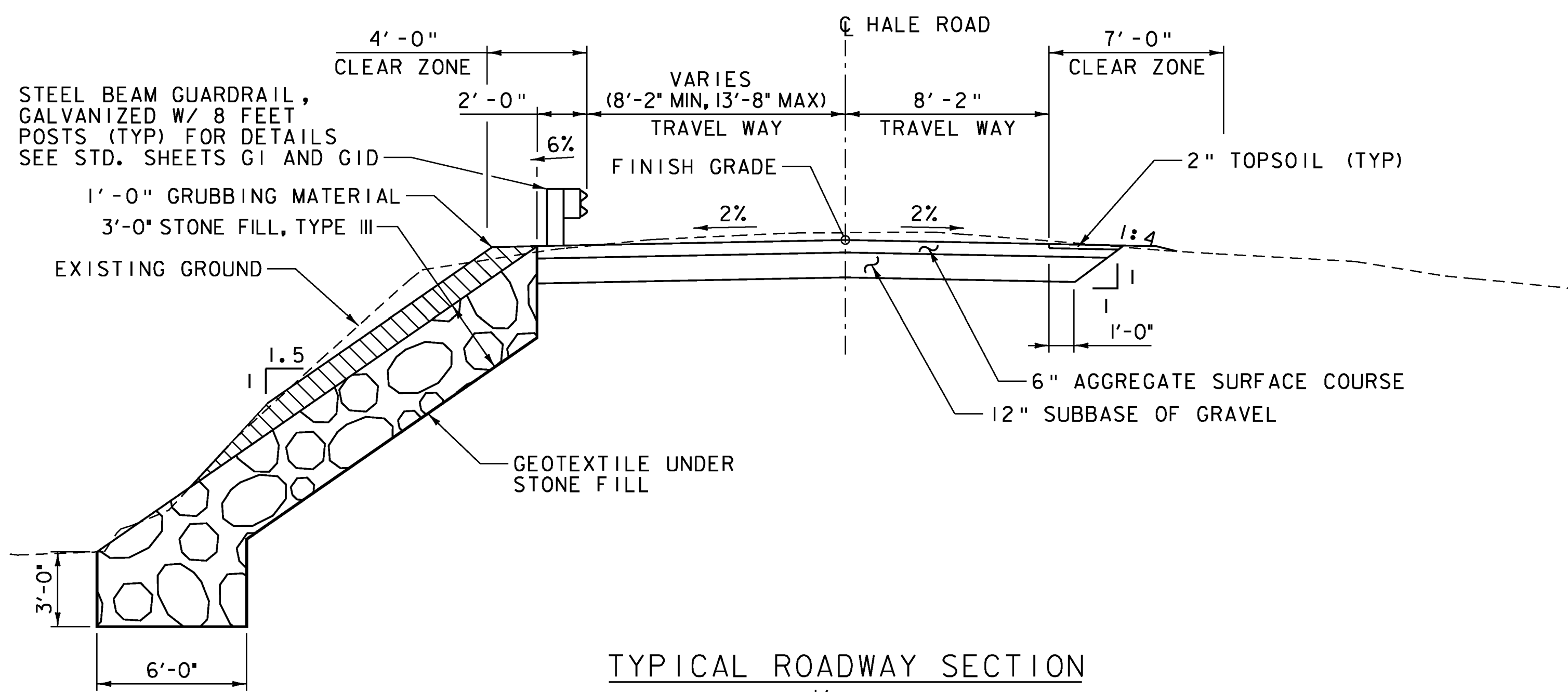


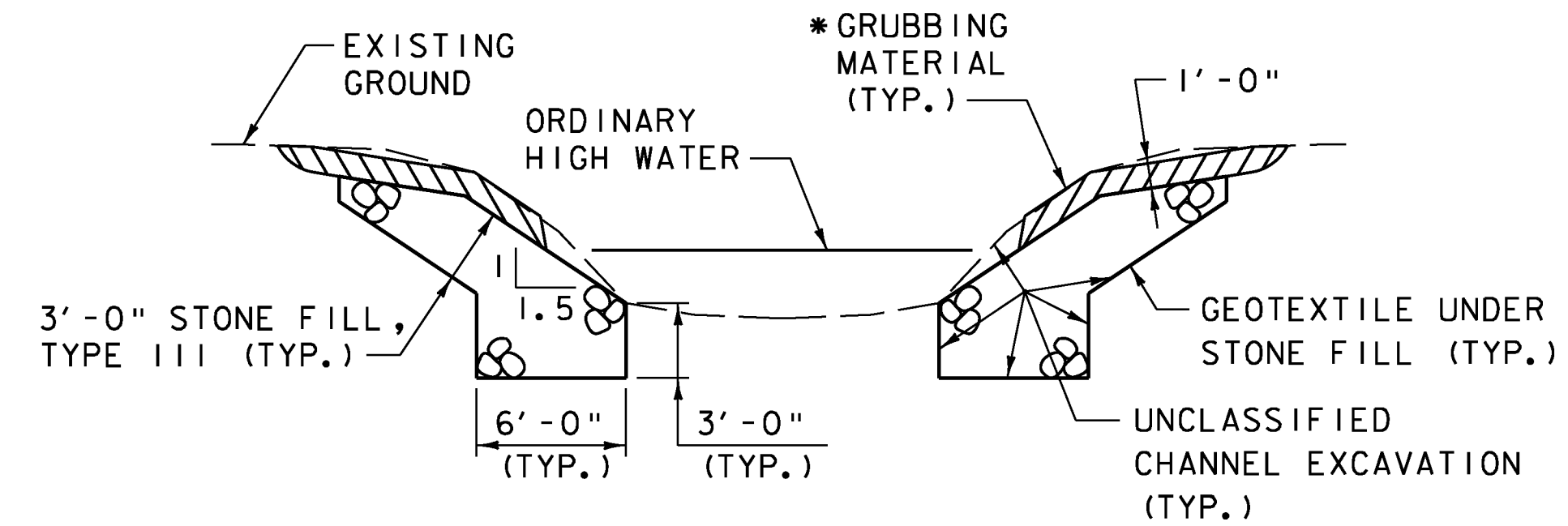
**MATERIAL TOLERANCES**

AGGREGATE SURFACE COURSE	+/- 1/2"
SUBBASE	+/- 1"
SAND BORROW	+/- 1"

**TYPICAL APPROACH SECTION**  
NOT TO SCALE



**TYPICAL ROADWAY SECTION**  
SCALE 1/4" = 1'-0"



**TYPICAL CHANNEL SECTION**  
(NOT TO SCALE)

\*GRUBBING MATERIAL SHALL NOT BE PLACED ON THE STONE FILL IN THE AREA UNDER THE BRIDGE. WHENEVER CHANNEL SLOPE INTERSECTS ROADWAY SUBBASE, GRUBBING MATERIAL SHALL BEGIN AT THE BOTTOM OF SUBBASE.

PROJECT NAME: GUILFORD  
PROJECT NUMBER: BR01442(36)

FILE NAME: z10j064typ.dgn  
PROJECT LEADER: S.E. BURBANK  
DESIGNED BY: E.A. FIALA  
TYP EARTHWORK AND ROADWAY SECTIONS

PLOT DATE: 10/2/2013  
DRAWN BY: E.A. FIALA  
CHECKED BY: S.E. BURBANK  
SHEET 4 OF 42

