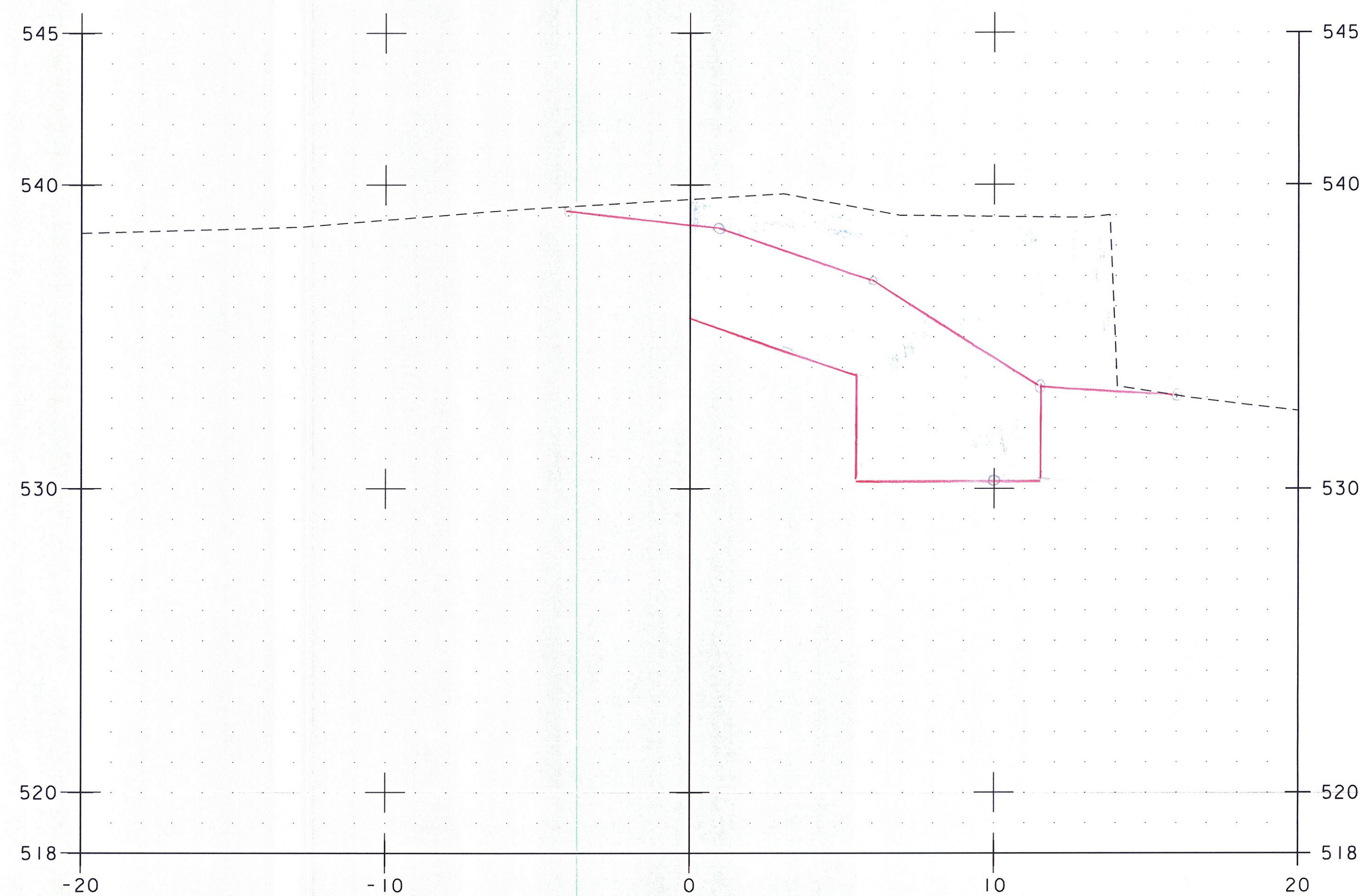


Unclassified Stone Fill = 94.1 FT<sup>2</sup> ✓  
 Stone Fill, type III = 48.0 FT<sup>2</sup> ✓  
 Geo. Under Stone Fill = 21' ✓  
 M.W.A. 6/26/15  
 20+24.50  
 42.9  
 Collision Equ. = Zero  
 Groundwater Table = Zero



Unclassified Stone Fill = 94.5 FT<sup>2</sup> ✓  
 Stone Fill, type III = 49.2 FT<sup>2</sup> ✓  
 Geo. Under Stone Fill = 21.5' ✓  
 M.W.A. 6/26/15  
 20+30.00  
 43.9  
 SPB 7-1-15

SCALE 1" = 3'-0"

NOTE: LOCATION OF SUBBASE IS APPROXIMATE,  
PROPOSED GRADE IS NOT SHOWN.

PROJECT NAME: BRATTLEBORO	
PROJECT NUMBER: BRO 1442(35)	
FILE NAME: z10j062_customEL.dgn	PLOT DATE: 3/2/2015
PROJECT LEADER: S.E. BURBANK	DRAWN BY: E.F. LAWES
DESIGNED BY: E.F. LAWES	CHECKED BY: S.E. BURBANK
ABUTMENT NO. 2 CROSS SECTIONS (8 OF 9)	SHEET 8 OF 28

