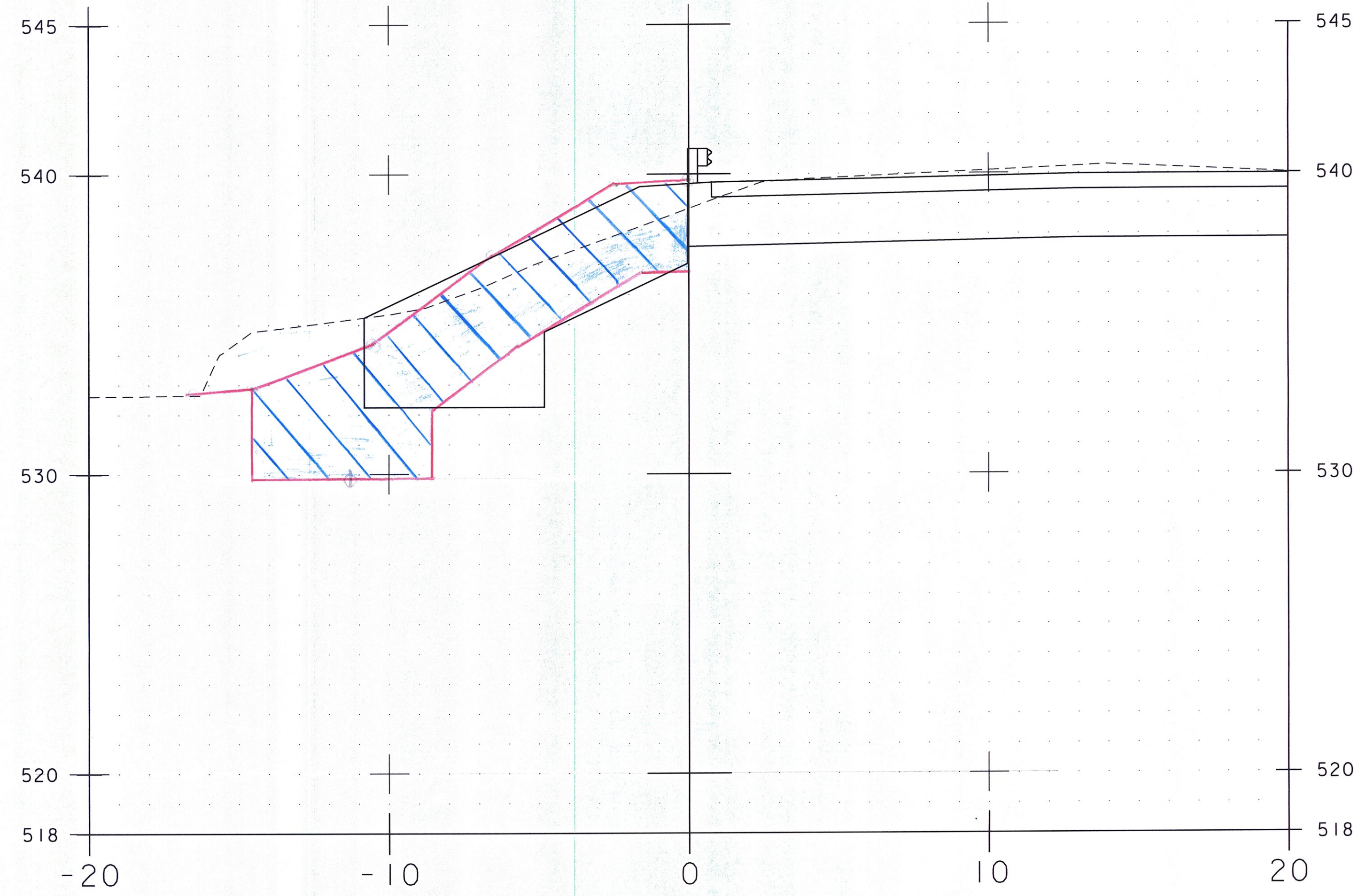


50+24.40 ✓
 Elev. 518.00 ✓
 Elev. 520.00 ✓
 Elev. 524.00 ✓
 Elev. 530.00 ✓
 Elev. 540.00 ✓

50+24.40

butt section for
Colerden Exc.



50+30.00 ✓
 Elev. 518.00 ✓
 Elev. 520.00 ✓
 Elev. 524.00 ✓
 Elev. 530.00 ✓
 Elev. 540.00 ✓

50+30.00

butt section for
cut
btt. Elev. under S.f.

SCALE 1" = 3'-0"



PROJECT NAME: BRATTLEBORO
 PROJECT NUMBER: BRO 1442(35)

FILE NAME: z10j062_customEL.dgn
 PROJECT LEADER: S.E. BURBANK
 DESIGNED BY: E.F. LAWES
 WINGWALL NO. 2 CROSS SECTIONS (3 OF 4)

PLOT DATE: 3/2/2015
 DRAWN BY: E.F. LAWES
 CHECKED BY: S.E. BURBANK
 SHEET 26 OF 28