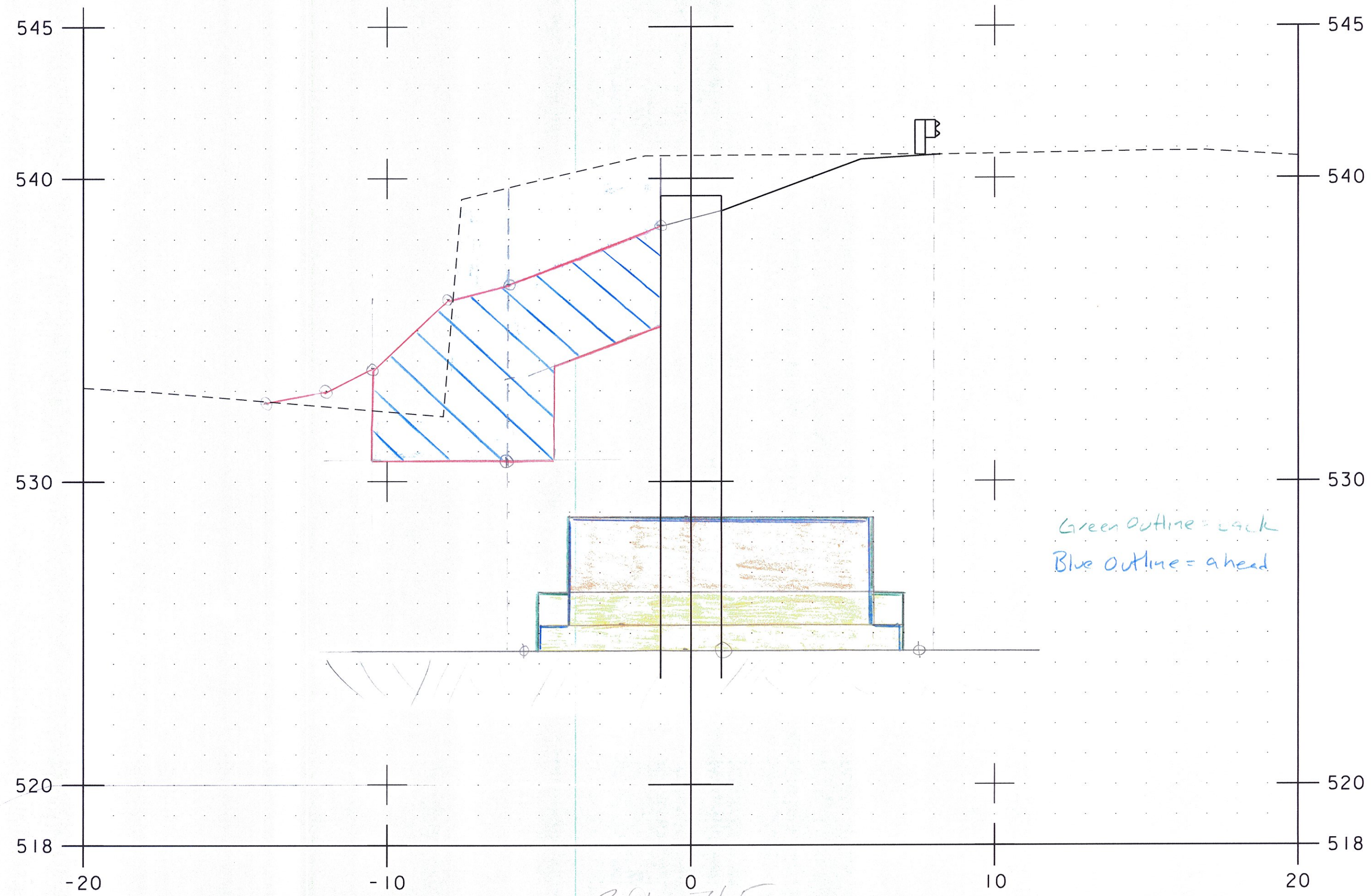


39+67.40 Beginning  
(39+66.4 begin Subbase)

- Coferdam Earth = 168.6 FT<sup>2</sup> ✓
- Granular Backfill for Slope = 144.6 FT<sup>2</sup> ✓
- 39+67.4 (Co) = 138.1 FT<sup>2</sup> ✓
- 39+67.4 (Co) = 138.1 FT<sup>2</sup> ✓
- (Co) = 120.2 FT<sup>2</sup> ✓
- Unexcavated Channel Excavation = 20.3 FT<sup>2</sup> ✓
- Stone Fill, Type III = 50.7 FT<sup>2</sup> ✓
- Area Under Stone Fill = 21.0' ✓
- Coferdam Earth = 168.6 FT<sup>2</sup> ✓



39+70.00  
39+71.5  
39+72.0 section

- Coferdam Earth = 181.0 FT<sup>2</sup> ✓
- Granular Backfill for Slope = 113.8 FT<sup>2</sup> (ahead) ✓ + 111.8 FT<sup>2</sup> (back) ✓
- Unexcavated Channel Exc = 54.2 FT<sup>2</sup> ✓
- Stone Fill, Type III = 41.4 FT<sup>2</sup> ✓
- Area Under Stone Fill = 18.5' ✓

2' = 41.4 SF  
144.6 SF  
121.0 SF  
41.4 SF = 113.8 + 111.8

NOTE: LOCATION OF SUBBASE IS APPROXIMATE.

PROJECT NAME: BRATTLEBORO	
PROJECT NUMBER: BRO 1442(35)	
FILE NAME: z10j062_customEL.dgn	PLOT DATE: 3/2/2015
PROJECT LEADER: S.E. BURBANK	DRAWN BY: E.F. LAWES
DESIGNED BY: E.F. LAWES	CHECKED BY: S.E. BURBANK
ABUTMENT NO. 1 CROSS SECTIONS (2 OF 7)	SHEET 18 OF 28



SCALE 1" = 3'-0"