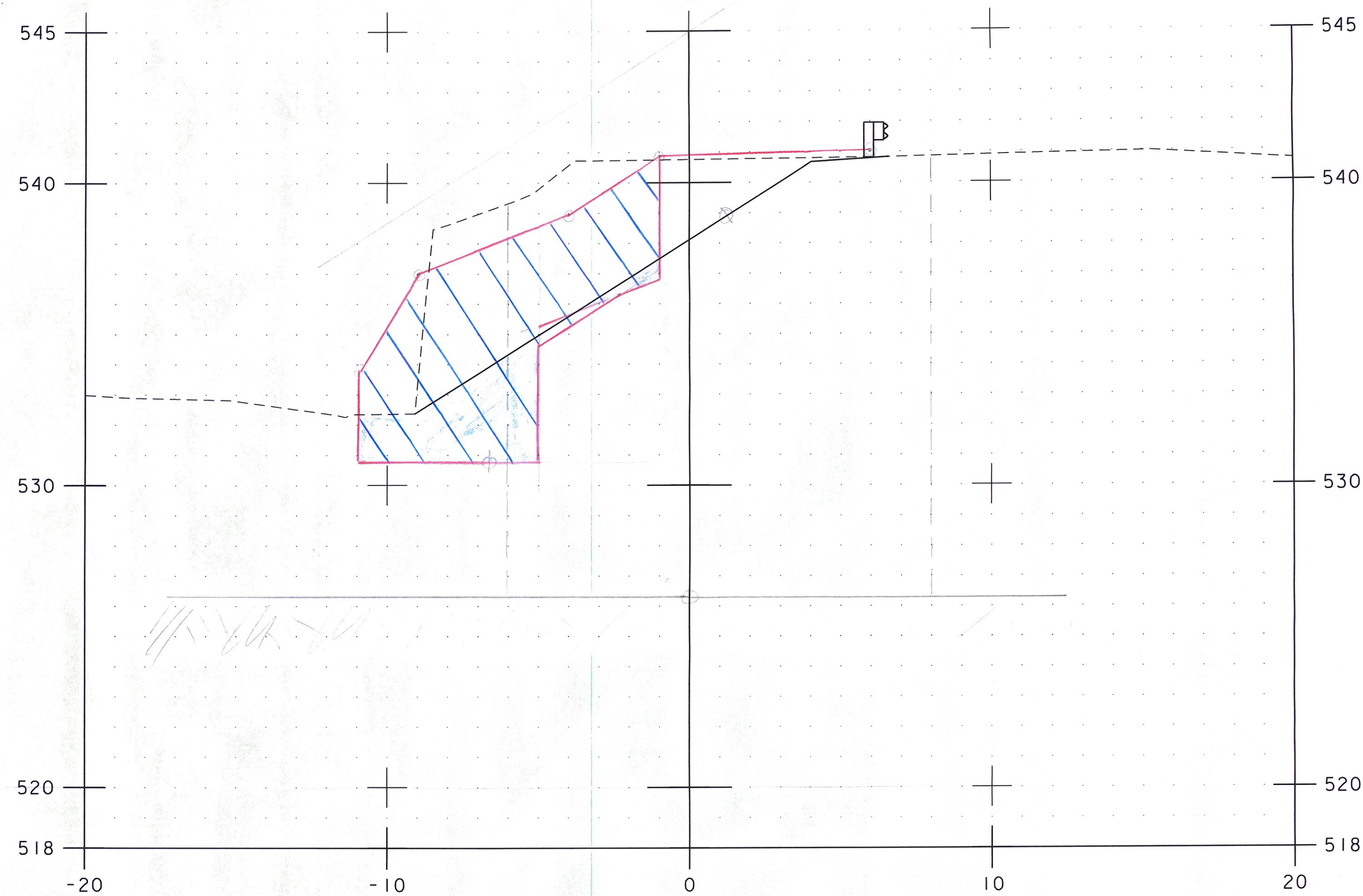


Unclassified Channel Excavation = 35.277' ✓ 39+50.00  
 Stone Fill, type III = 54.517' ✓  
 Geo. Under Stone Fill = 22.0' ✓  
 Common Excavation = 23.977' ✓  
 for 5/1/15

JPL  
 7-2-15



Unclassified Channel Excavation = 39+65.40 begin Collapsed Excavation (Geo.) fill to sub  
 (bk) = 15.317' ✓ (Geo) 54.517' ✓  
 Stone Fill, type III = 51.277' ✓  
 Geo. Under Stone Fill = 26.5' ✓  
 Common Excavation = 23.977' ✓  
 Collapsed Excavation = 13.277' ✓  
 Geo. Under Collapsed Excavation = 13.277' ✓

SCALE 1" = 3'-0"

NOTE: LOCATION OF SUBBASE IS APPROXIMATE.

PROJECT NAME:	BRATTLEBORO
PROJECT NUMBER:	BRO 1442(35)
FILE NAME:	z10j062_customEL.dgn
PROJECT LEADER:	S.E. BURBANK
DESIGNED BY:	E.F. LAWES
ABUTMENT NO./CROSS SECTIONS (1 OF 7)	SHEET 17 OF 28
PLOT DATE:	3/2/2015
DRAWN BY:	E.F. LAWES
CHECKED BY:	S.E. BURBANK



17C (No 17D) VHB 57428