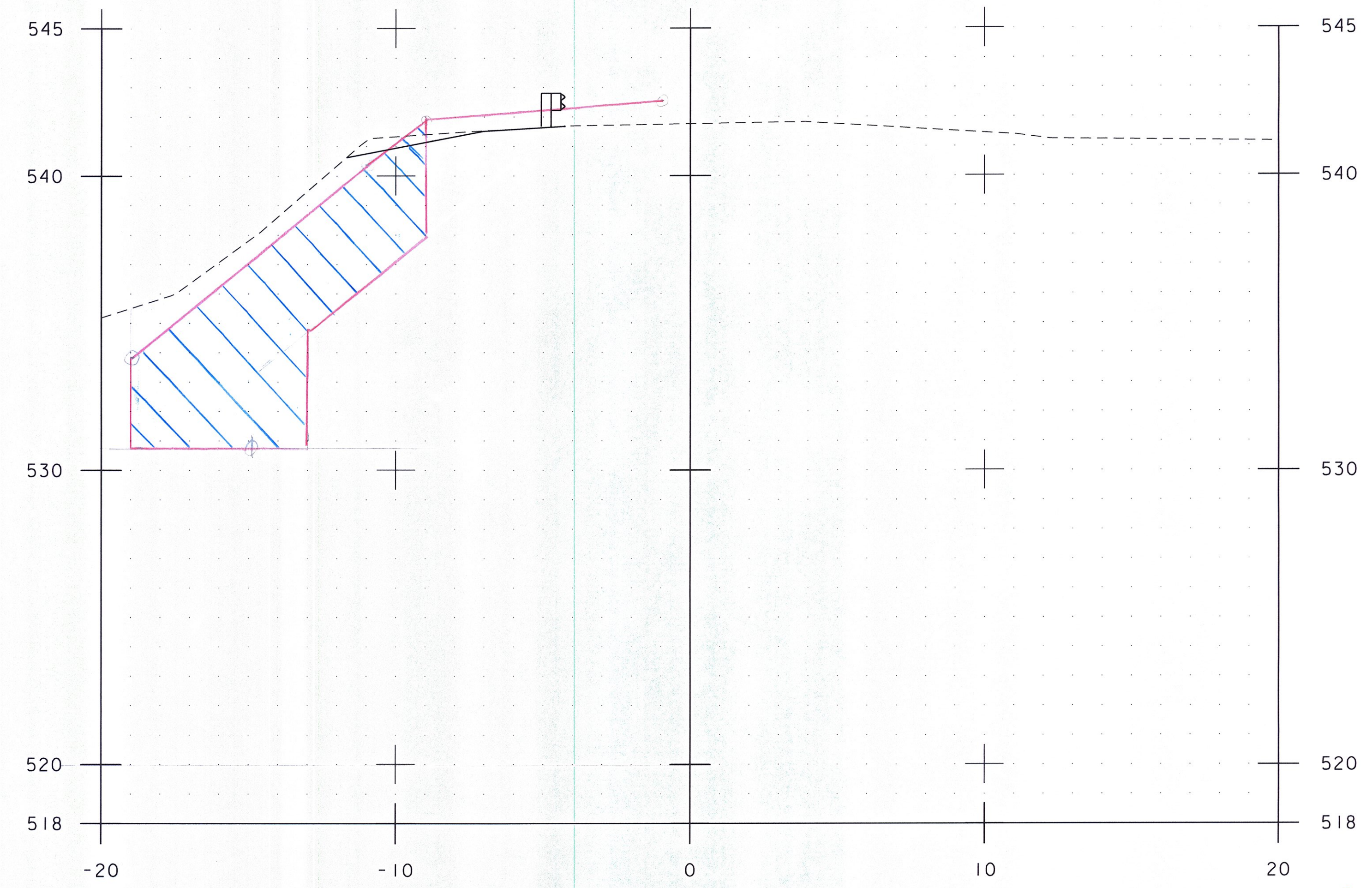


39+30

Common Excavation = Zero ✓

30
1:1



39+35

Upset
 B.A. = 50.7 ft ✓
 Clear Fall Type II
 B.A. = 47.0 ft ✓
 Clear Fall Type I
 B.A. = 25.1 (+37.1) ✓
 Common Excavation = 11.7 ft ✓

SCALE 1" = 3'-0"



PROJECT NAME: BRATTLEBORO	
PROJECT NUMBER: BRO 1442(35)	
FILE NAME: z10j062_customEL.dgn	PLOT DATE: 5/5/2015
PROJECT LEADER: S.E. BURBANK	DRAWN BY: E.F. LAWES
DESIGNED BY: E.F. LAWES	CHECKED BY: S.E. BURBANK
ABUTMENT NO. 1 CROSS SECTIONS (1 OF 2)	SHEET 1 OF 2

17A (No 17)

VHB 57428