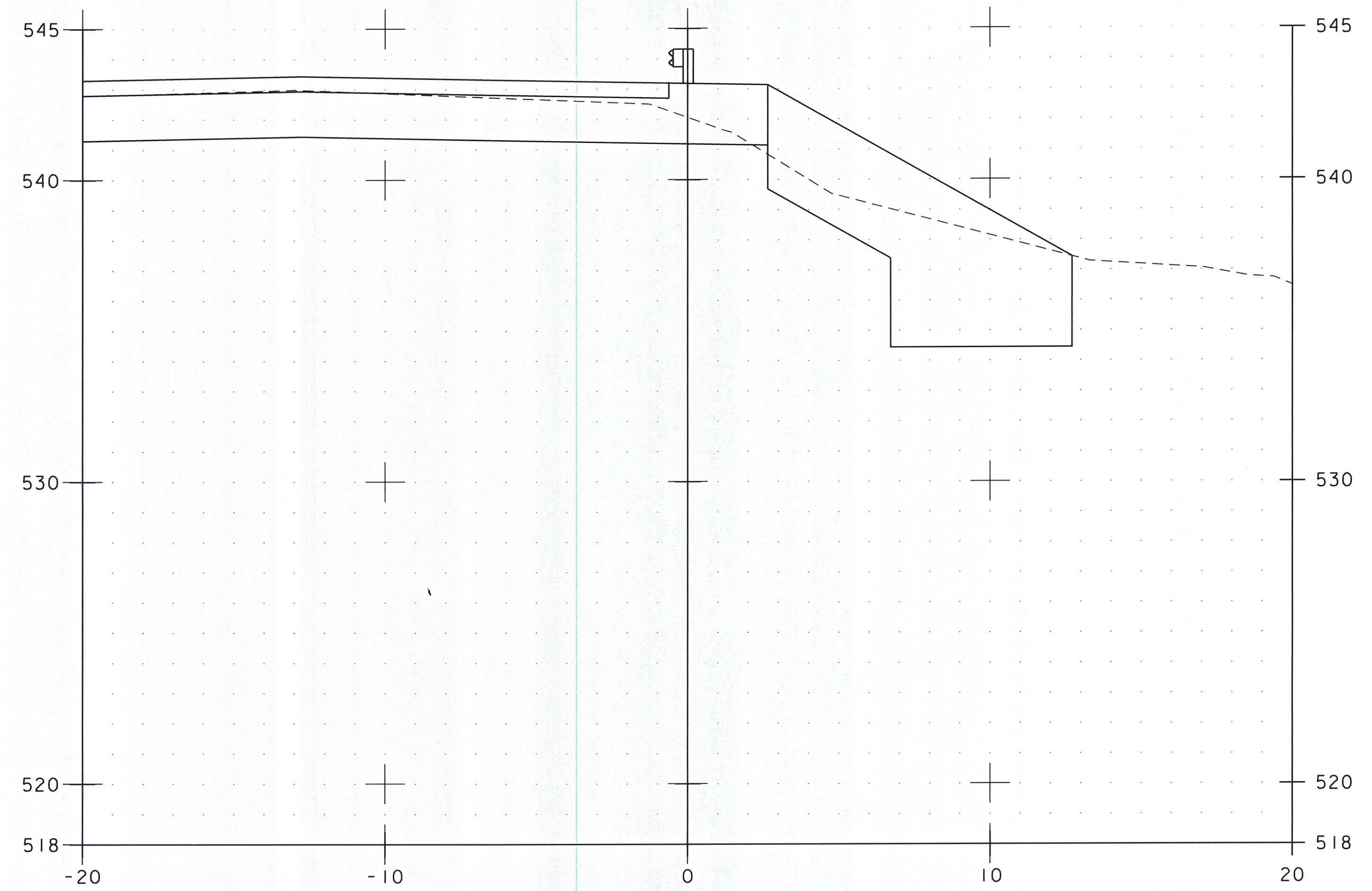


29+40.00



29+50.00

NOTE: PROPOSED GRADE IS NOT SHOWN.

PROJECT NAME:	BRATTLEBORO
PROJECT NUMBER:	BRO 1442(35)
FILE NAME:	z10j062_customEL.dgn
PROJECT LEADER:	S.E. BURBANK
DESIGNED BY:	E.F. LAWES
WINGWALL NO. 3 CROSS SECTIONS (1 OF 7)	
PLOT DATE:	3/2/2015
DRAWN BY:	E.F. LAWES
CHECKED BY:	S.E. BURBANK
SHEET	10 OF 28



SCALE 1" = 3'-0"