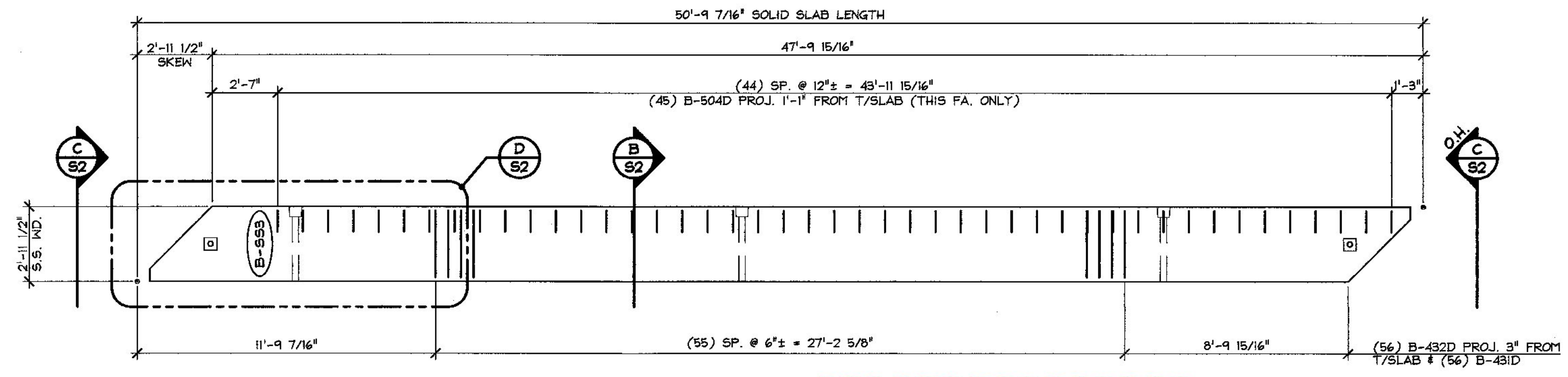


1 DIMENSIONAL PLAN VIEW IN FORM  
S2 1/4" = 1'-0"



2 REINFORCING PLAN VIEW IN FORM  
S2 1/4" = 1'-0"

SHOP NOTE:  
ADJUST REINFORCING AS REQUIRED  
TO CLEAR INSERTS, SLEEVES, ETC.

Vermont Agency of Transportation  
**RECEIVED**  
CK'D BY JMC OK'D BY TAS  
April 24, 2014  
RESUBMIT No Approved  
By M. J. Chenette DATE 04/29/2014

**SHOP DRAWING REVIEW**

REVIEWED AS REQUIRED BY THE CONSTRUCTION CONTRACT DOCUMENTS AND APPROVED, BUT ONLY FOR CONFORMANCE TO THE DESIGN CONCEPT OF THE WORK, AND SUBJECT TO FURTHER LIMITATIONS AND REQUIREMENTS CONTAINED IN THE CONSTRUCTION CONTRACT DOCUMENTS.

REJECTED  REVISE AND RESUBMIT  FURNISH AS CORRECTED

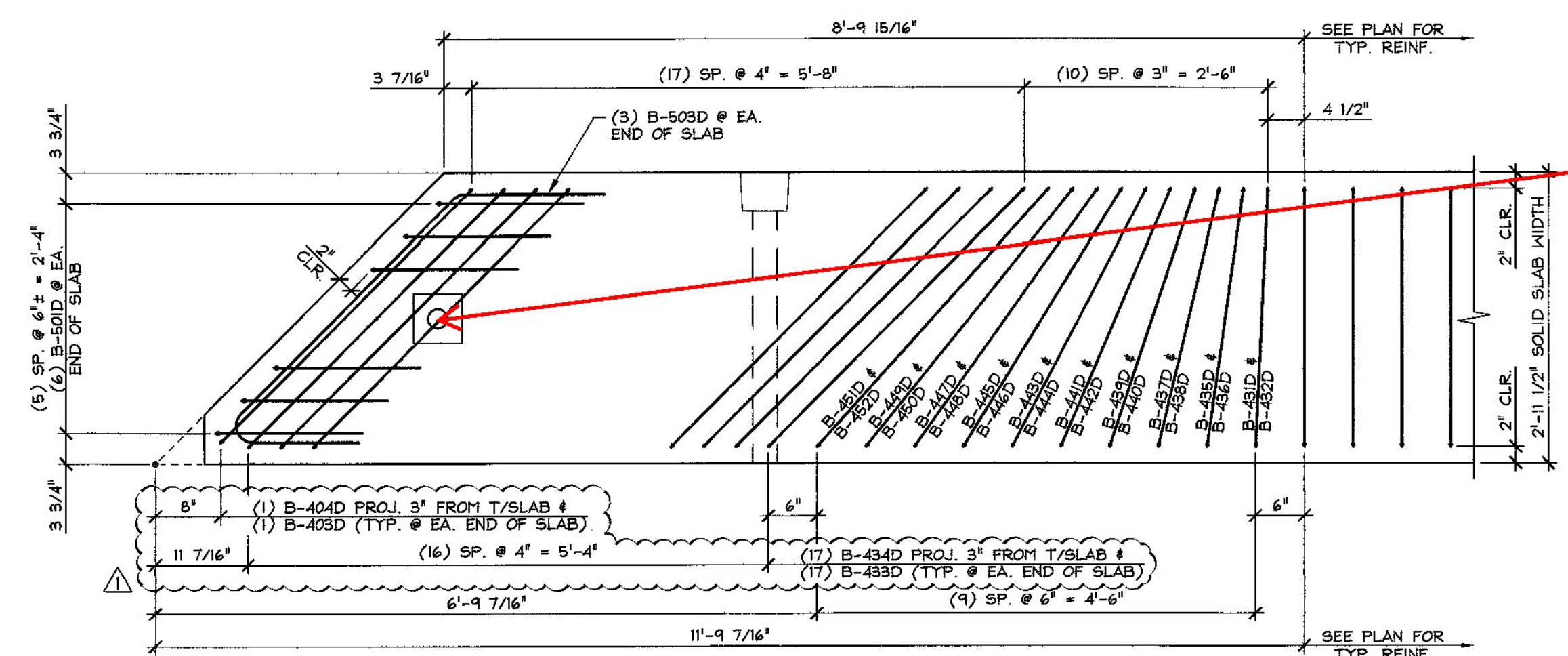
CORRECTIONS OR COMMENTS MADE ON THE SHOP DRAWINGS DURING THIS REVIEW DO NOT RELIEVE CONTRACTOR FROM COMPLIANCE WITH REQUIREMENTS OF THE DRAWINGS AND SPECIFICATIONS. THIS CHECK IS ONLY FOR REVIEW OF GENERAL CONFORMANCE WITH THE DESIGN CONCEPT OF THE PROJECT AND GENERAL COMPLIANCE WITH THE INFORMATION GIVEN IN THE CONTRACT DOCUMENTS. THE CONTRACTOR IS RESPONSIBLE FOR CONFIRMING AND CORRECTING ALL QUANTITIES AND DIMENSIONS, SELECTING FABRICATION PROCESSES AND TECHNIQUES OF CONSTRUCTION, COORDINATING HIS WORK WITH THAT OF ALL OTHER TRADES, AND PERFORMING HIS WORK IN A SAFE AND SATISFACTORY MANNER.

Vannase Hagen Brustlin, Inc.  
7056 US Route 7  
North Ferrisburgh, VT 05473  
802-425-7789

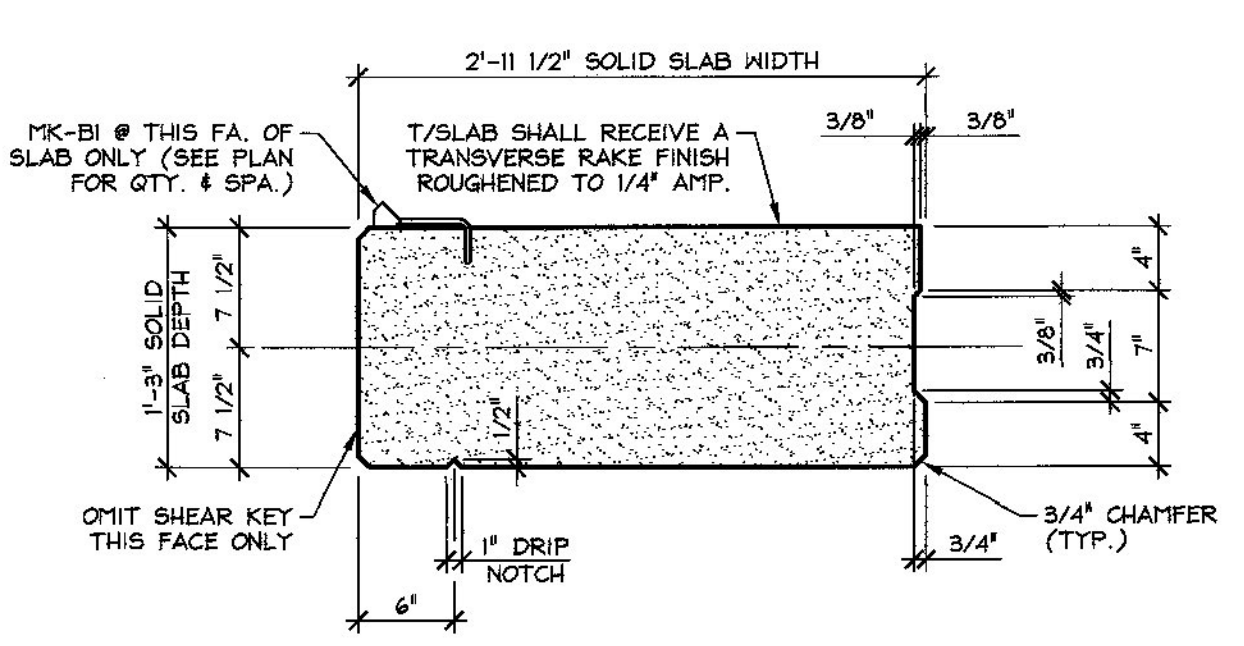
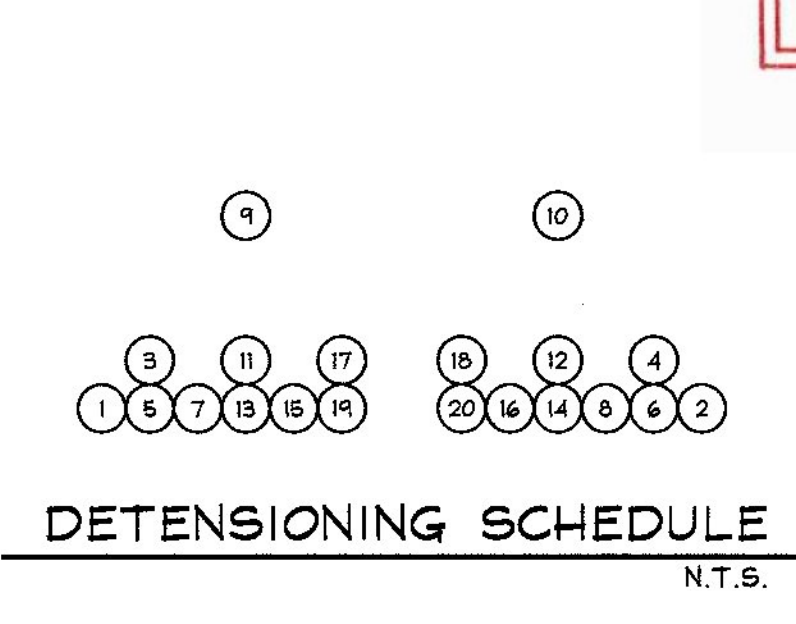
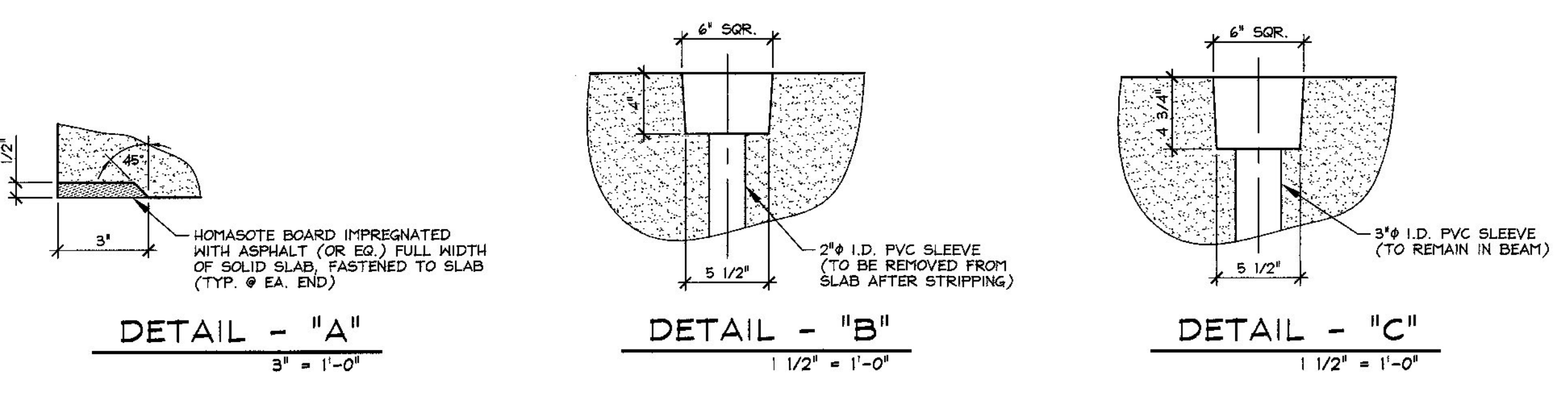
Job Number: 57528.00  
Reviewed By: E.A. FIALA  
Date: 04/28/2014

MARK:	B-S53	QTY.:	1	WT.:	13.1 T	VOL.:	6.5 cy
MARK:	-	QTY.:	-	WT.:	-	VOL.:	-

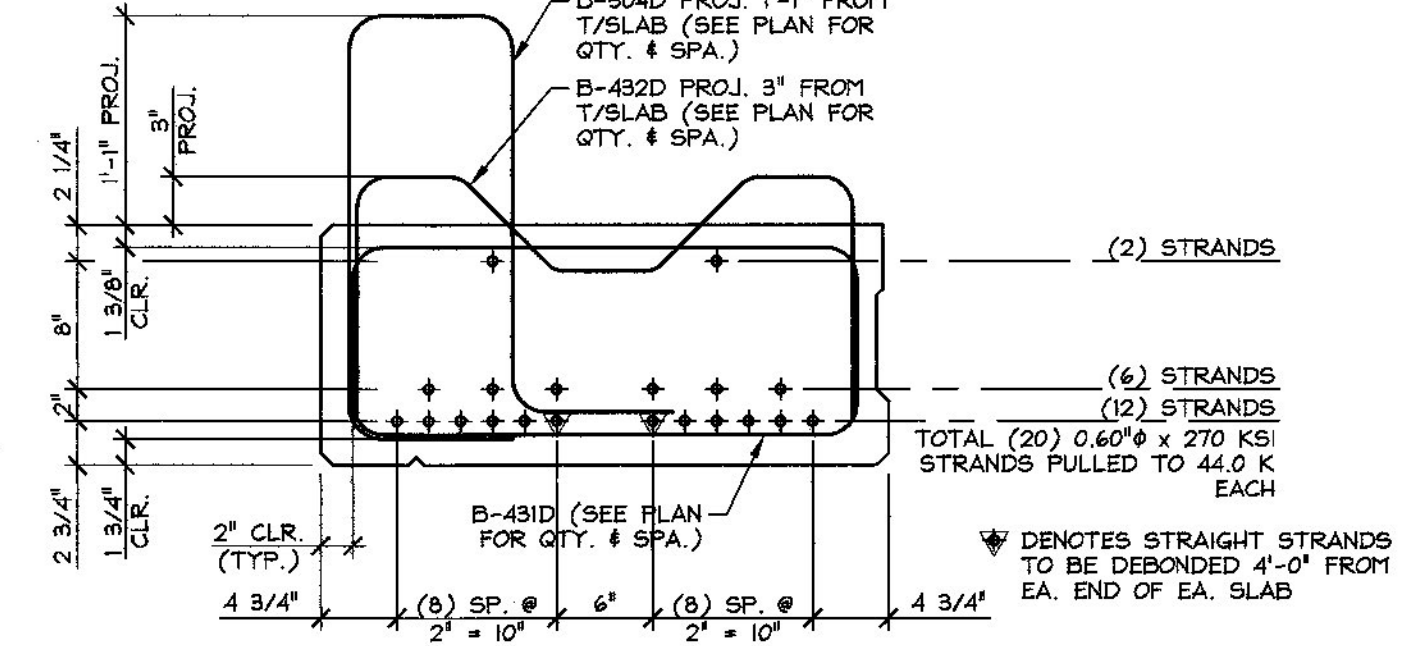
MATERIAL LIST / SOLID SLAB			
ITEM	MARK	DESCRIPTION	QTY./SLAB
1	B-403D	#4 BENT BAR (LEVEL II, DUAL COATED)	2
2	B-404D	#4 BENT BAR (LEVEL II, DUAL COATED)	2
3	B-431D	#4 BENT BAR (LEVEL II, DUAL COATED)	58
4	B-432D	#4 BENT BAR (LEVEL II, DUAL COATED)	58
5	B-433D	#4 BENT BAR (LEVEL II, DUAL COATED)	34
6	B-434D	#4 BENT BAR (LEVEL II, DUAL COATED)	34
7	B-435D	#4 BENT BAR (LEVEL II, DUAL COATED)	2
8	B-436D	#4 BENT BAR (LEVEL II, DUAL COATED)	2
9	B-437D	#4 BENT BAR (LEVEL II, DUAL COATED)	2
10	B-438D	#4 BENT BAR (LEVEL II, DUAL COATED)	2
11	B-439D	#4 BENT BAR (LEVEL II, DUAL COATED)	2
12	B-440D	#4 BENT BAR (LEVEL II, DUAL COATED)	2
13	B-441D	#4 BENT BAR (LEVEL II, DUAL COATED)	2
14	B-442D	#4 BENT BAR (LEVEL II, DUAL COATED)	2
15	B-443D	#4 BENT BAR (LEVEL II, DUAL COATED)	2
16	B-444D	#4 BENT BAR (LEVEL II, DUAL COATED)	2
17	B-445D	#4 BENT BAR (LEVEL II, DUAL COATED)	2
18	B-446D	#4 BENT BAR (LEVEL II, DUAL COATED)	2
19	B-447D	#4 BENT BAR (LEVEL II, DUAL COATED)	2
20	B-448D	#4 BENT BAR (LEVEL II, DUAL COATED)	2
21	B-449D	#4 BENT BAR (LEVEL II, DUAL COATED)	2
22	B-450D	#4 BENT BAR (LEVEL II, DUAL COATED)	2
23	B-451D	#4 BENT BAR (LEVEL II, DUAL COATED)	2
24	B-452D	#4 BENT BAR (LEVEL II, DUAL COATED)	2
25	B-501D	#5 BENT BAR (LEVEL II, DUAL COATED)	12
26	B-503D	#5 BENT BAR (LEVEL II, DUAL COATED)	6
27	B-504D	#5 BENT BAR (LEVEL II, DUAL COATED)	45
28			
29	MK-BI	DAYTON C-24 TYPE 4-APR DECK FORM HANGER (GALV.)	12
30		SET OF DOUBLE 1/2" x 270 KSI STRAND LIFTING LOOPS	4



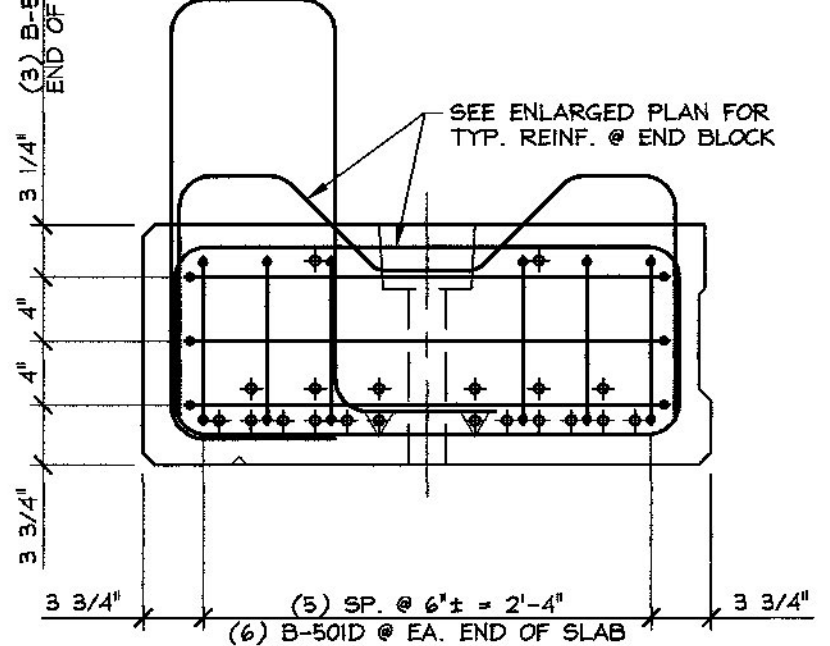
D END BLOCK REINFORCING PLAN  
S2 CURB REINFORCING NOT SHOWN FOR CLARITY 3/4" = 1'-0"



A DIMENSIONAL SECTION  
S2 1" = 1'-0"



B REINFORCING SECTION  
S2 1" = 1'-0"



C END BLOCK REINF. SECTION  
S2 1" = 1'-0"

4-24-14 REVISE REINFORCING

APPROVAL STAMP:

<b>J.P. CARRARA &amp; SONS INC.</b> Precast & Prestress Manufacturer 244 GEE ST., MIDDLEBURY, VERMONT 05753 Phone: (802)388-6361 Fax: (802)388-9010	RENAUD BRO., INC. CONTRACTOR VERNON, VERMONT
	DATE: MAR. 24, 2014 SCALE: NOTED
STATE OF VERMONT AGENCY OF TRANSPORTATION COUNTY OF WINDHAM	TH 12, CLASS III (LOCAL ROAD) OVER HALLADAY BROOK BRIDGE NO.: 7 PROJECT NO.: BRO 1442(35)
PRESTRESSED SOLID SLAB DETAILS	DWG. NO: S2