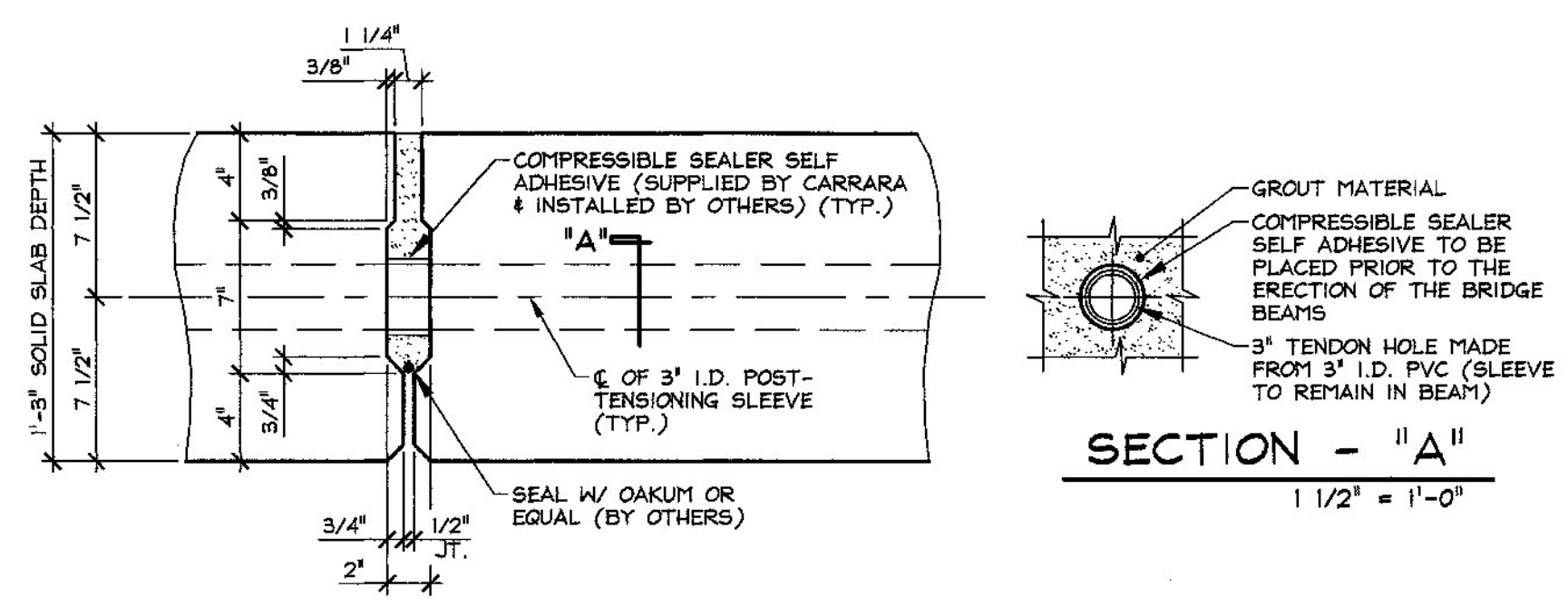
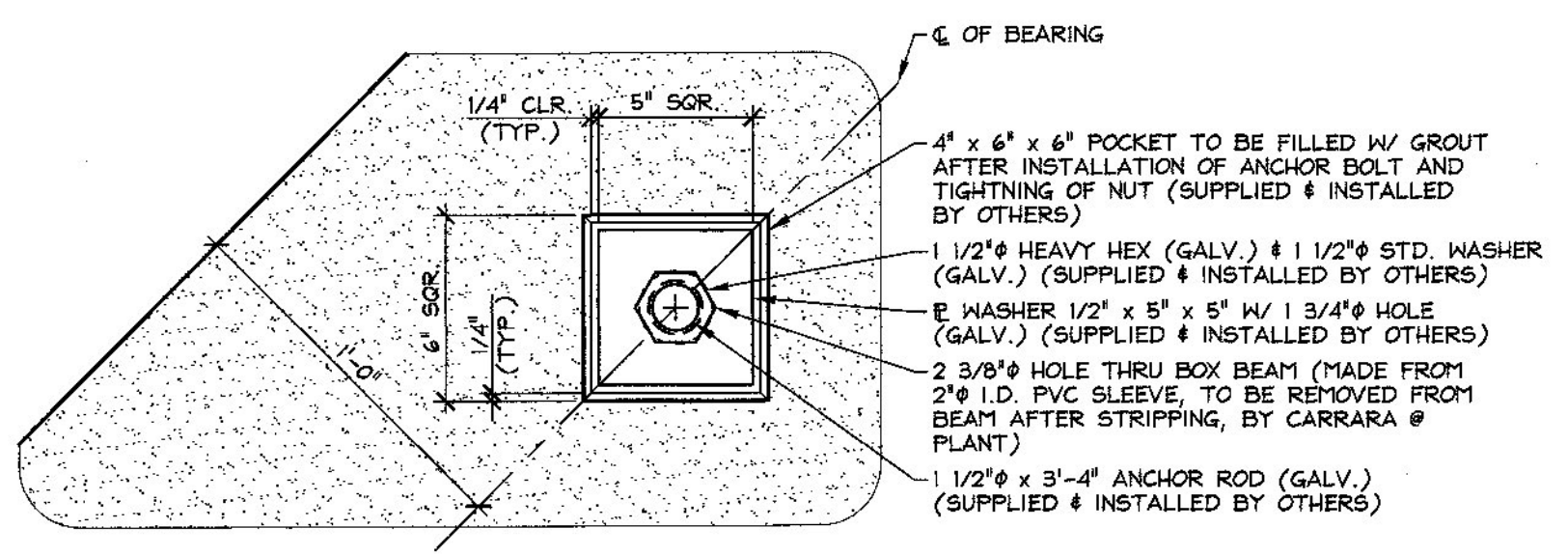


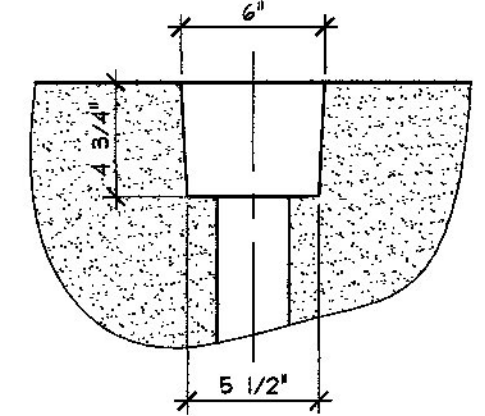
A BEARING SECTION
F2
3/4" = 1'-0"



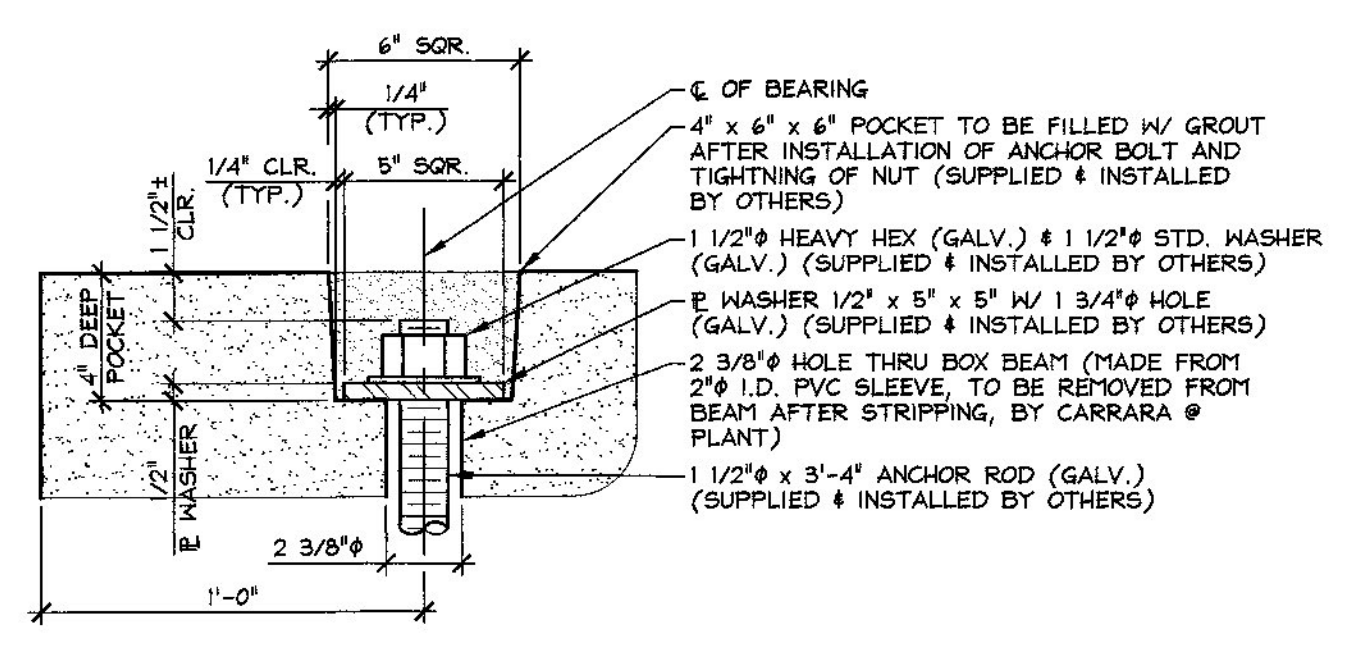
B SHEAR KEY SECTION @ P.T. SLEEVE
F2
1 1/2" = 1'-0"



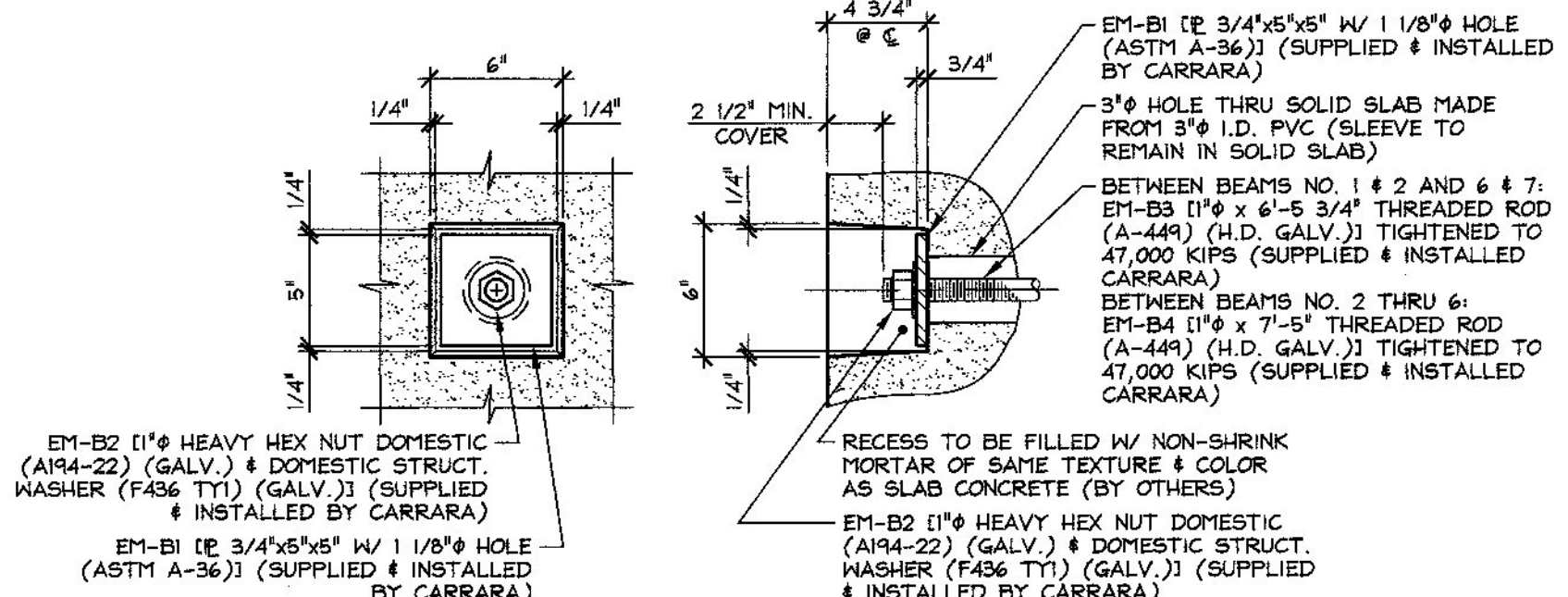
PLAN OF BEAM C



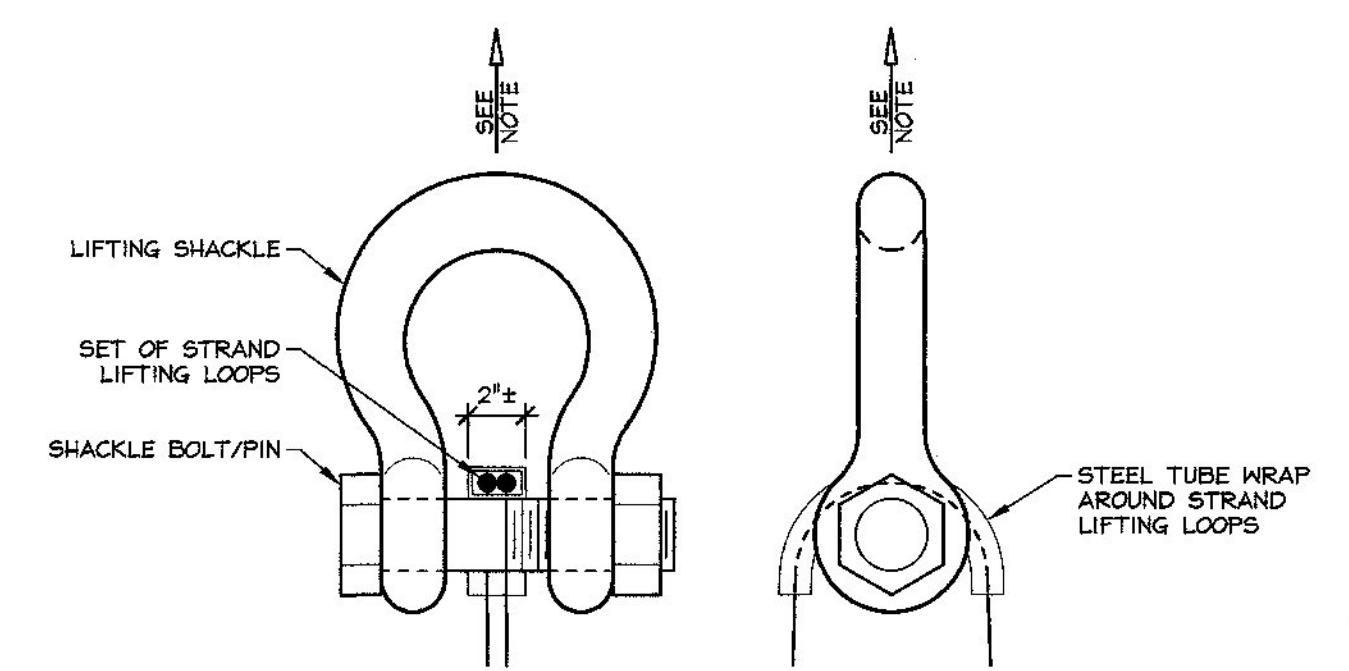
PLAN OF POCKET



SECTION OF BEAM C
DETAIL - "A"
2" = 1'-0"



FASCIA ELEVATION
SECTION AT CENTERLINE
DETAIL - "B"
1 1/2" = 1'-0"



NOTE: SLAB SHALL BE HANDLED AND ERECTED USING THE LIFTING LOOPS ONLY. RIGGING SHALL BE CONFIGURED SUCH THAT EQUAL FORCES ARE APPLIED TO EACH SET OF LIFTING LOOPS AT EACH END OF THE SLAB. SHACKLE BOLT/PIN SHALL BE PLACED UNDER LIFT LOOPS AS SHOWN. DESIGN AND CONFIGURATION OF RIGGING BY PURCHASER.

LIFTING SHACKLE DETAILS
N.T.S.

Vermont Agency of Transportation
RECEIVED
CK'D BY MJC OK'D BY TAS
April 24, 2014
RESUBMIT No Approved AsNoted
BY M. J. Chenette DATE 04/29/2014

SHOP DRAWING REVIEW	
<input type="checkbox"/> REVIEWED AS REQUIRED BY THE CONSTRUCTION CONTRACT DOCUMENTS AND APPROVED, BUT ONLY FOR CONFORMANCE TO THE DESIGN CONCEPT OF THE WORK, AND SUBJECT TO FURTHER LIMITATIONS AND REQUIREMENTS CONTAINED IN THE CONSTRUCTION CONTRACT DOCUMENTS.	<input type="checkbox"/> REJECT
<input type="checkbox"/> REJECTED	<input type="checkbox"/> REVISE AND RESUBMIT
<input checked="" type="checkbox"/> FURNISH AS CORRECTED	
CORRECTIONS OR COMMENTS MADE ON THE SHOP DRAWINGS DURING THIS REVIEW DO NOT RELIEVE CONTRACTOR FROM COMPLIANCE WITH REQUIREMENTS OF THE DRAWINGS AND SPECIFICATIONS. THIS CHECK IS ONLY FOR REVIEW OF GENERAL CONFORMANCE WITH THE DESIGN CONCEPT OF THE PROJECT AND GENERAL COMPLIANCE WITH THE INFORMATION GIVEN IN THE CONTRACT DOCUMENTS. THE CONTRACTOR IS RESPONSIBLE FOR CONFIRMING AND CORRELATING ALL QUANTITIES AND DIMENSIONS, SELECTING FABRICATION PROCESSES AND TECHNIQUES OF CONSTRUCTION, COORDINATING HIS WORK WITH THAT OF ALL OTHER TRADES, AND PERFORMING HIS WORK IN A SAFE AND SATISFACTORY MANNER.	
Vanasse Hangen Brustlin, Inc. 7056 US Route 7 North Ferrisburgh, VT 05473 802.425.7788	Job Number: 57528.00 Reviewed By: E.A. FIALA Date: 04/28/2014

APPROVAL STAMP:	J.P. CARRARA & SONS INC. Precast & Prestress Manufacturer 244 OISE ST., MIDDLEBURY, VERMONT 05753 Phone: (802)388-6361 Fax: (802)388-9010	RENAUD BRO., INC. CONTRACTOR VERNON, VERMONT
	STATE OF VERMONT AGENCY OF TRANSPORTATION COUNTY OF WINDHAM	DATE: MAR. 24, 2014 SCALE: NOTED
	TOWN OF BRATTLEBORO TH 12, CLASS III (LOCAL ROAD) OVER HALLADAY BROOK BRIDGE NO.: 7 PROJECT NO.: BRO 1442(35)	CHKD: M.D. DFTM: B.L. JOB NO: 23424-014
	SUPERSTRUCTURE DETAILS	DWG. NO: F2