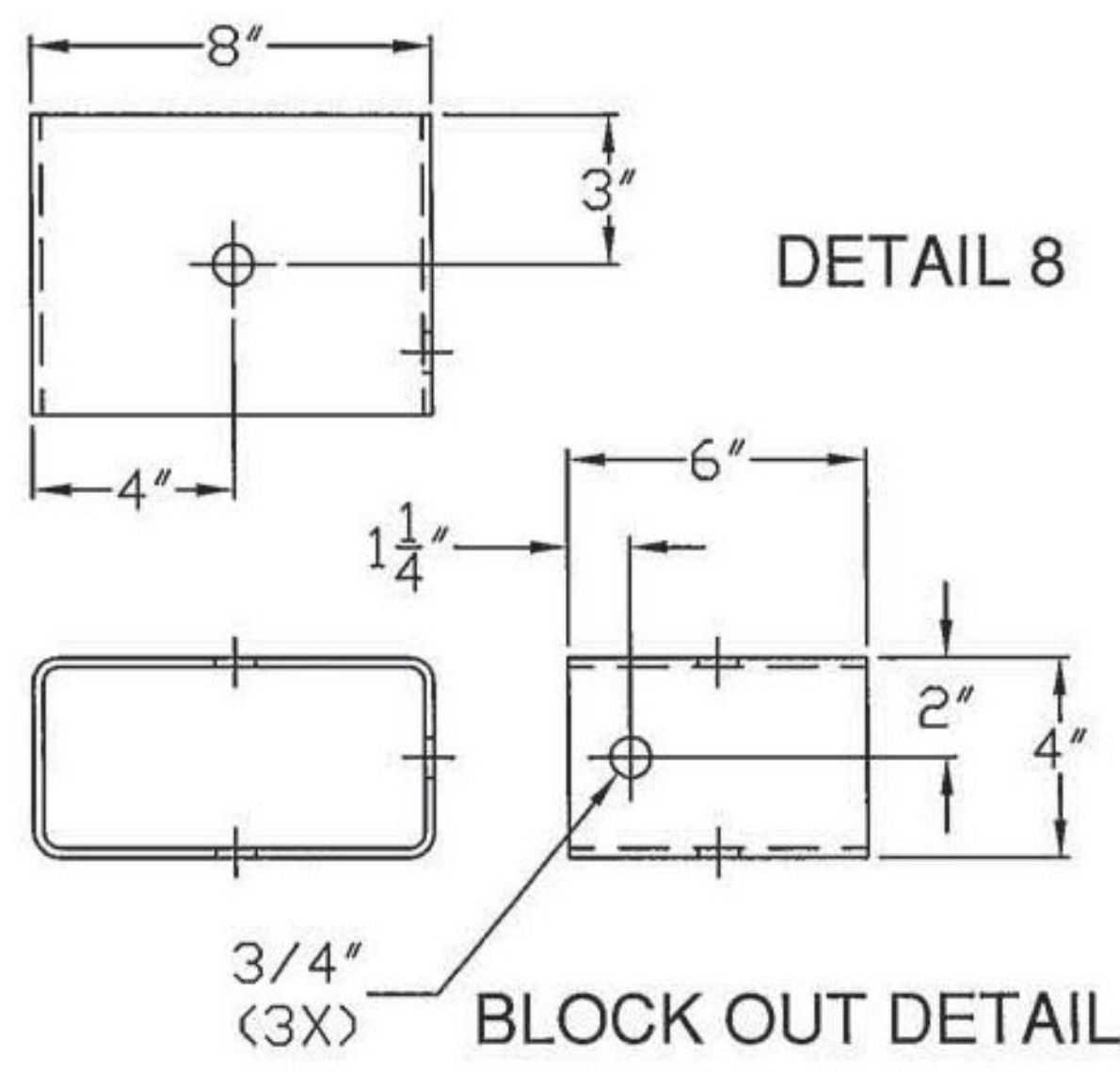
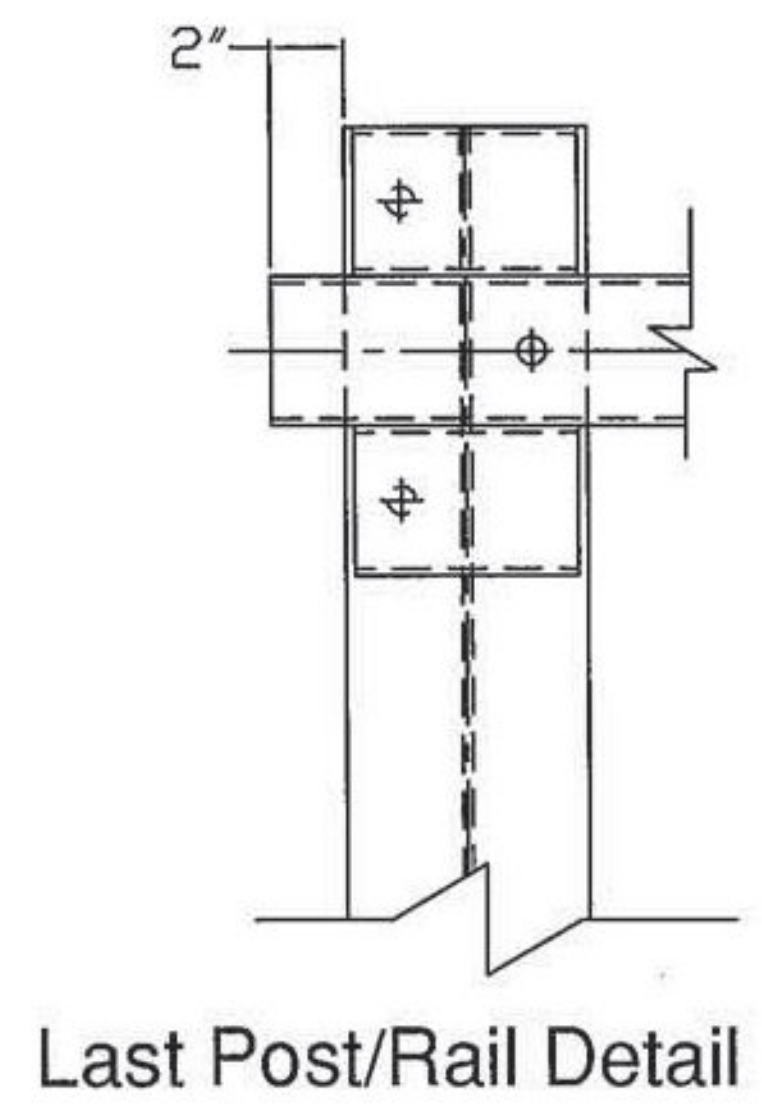


DETAIL 1

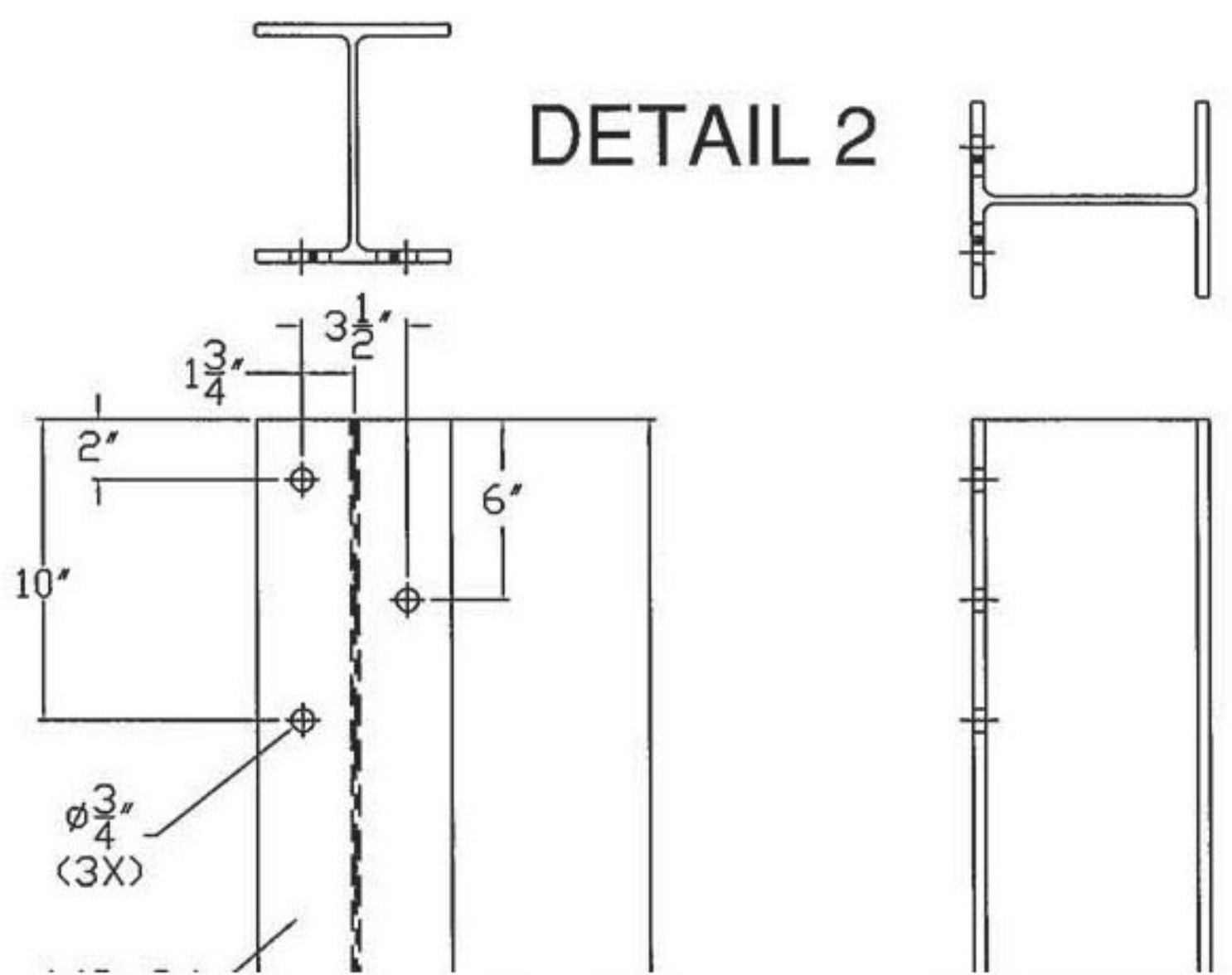


DETAIL 8

BLOCK OUT DETAIL



Last Post/Rail Detail



DETAIL 2

### SHOP DRAWING REVIEW

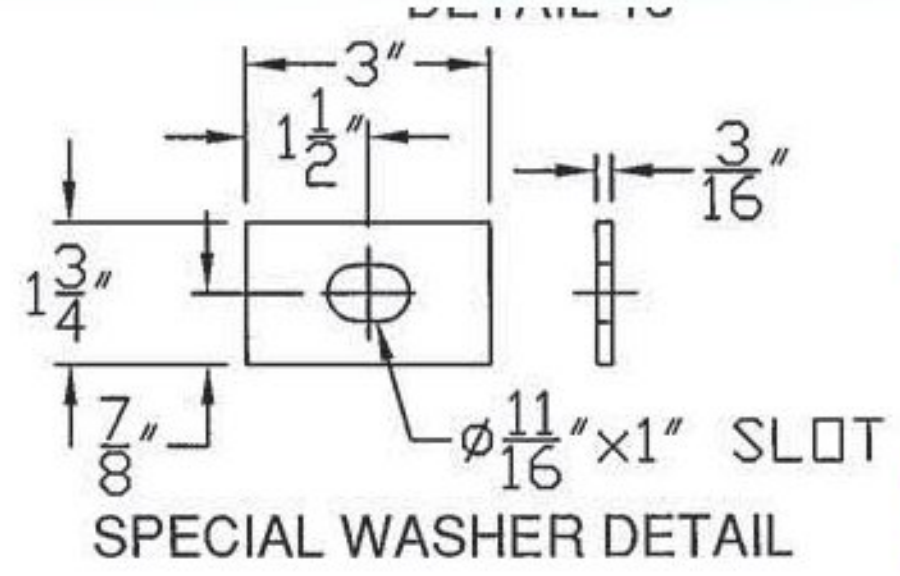
REVIEWED AS REQUIRED BY THE CONSTRUCTION CONTRACT DOCUMENTS AND APPROVED, BUT ONLY FOR CONFORMANCE TO THE DESIGN CONCEPT OF THE WORK, AND SUBJECT TO FURTHER LIMITATIONS AND REQUIREMENTS CONTAINED IN THE CONSTRUCTION CONTRACT DOCUMENTS.

REJECTED       REVISE AND RESUBMIT       FURNISH AS CORRECTED

CORRECTIONS OR COMMENTS MADE ON THE SHOP DRAWINGS DURING THIS REVIEW DO NOT RELIEVE CONTRACTOR FROM COMPLIANCE WITH REQUIREMENTS OF THE DRAWINGS AND SPECIFICATIONS. THIS CHECK IS ONLY FOR REVIEW OF GENERAL CONFORMANCE WITH THE DESIGN CONCEPT OF THE PROJECT AND GENERAL COMPLIANCE WITH THE INFORMATION GIVEN IN THE CONTRACT DOCUMENTS. THE CONTRACTOR IS RESPONSIBLE FOR: CONFIRMING AND CORRELATING ALL QUANTITIES AND DIMENSIONS; SELECTING FABRICATION PROCESSES AND TECHNIQUES OF CONSTRUCTION; COORDINATING HIS WORK WITH THAT OF ALL OTHER TRADES; AND PERFORMING HIS WORK IN A SAFE AND SATISFACTORY MANNER.

**Vanasse Hangen Brustlin, Inc.**  
7056 US Route 7  
North Ferrisburgh, VT 05473  
802.425.7788

Job Number: 57428.00  
Reviewed By: S.E. Burbank  
Date: 7/24/2014



SPECIAL WASHER DETAIL

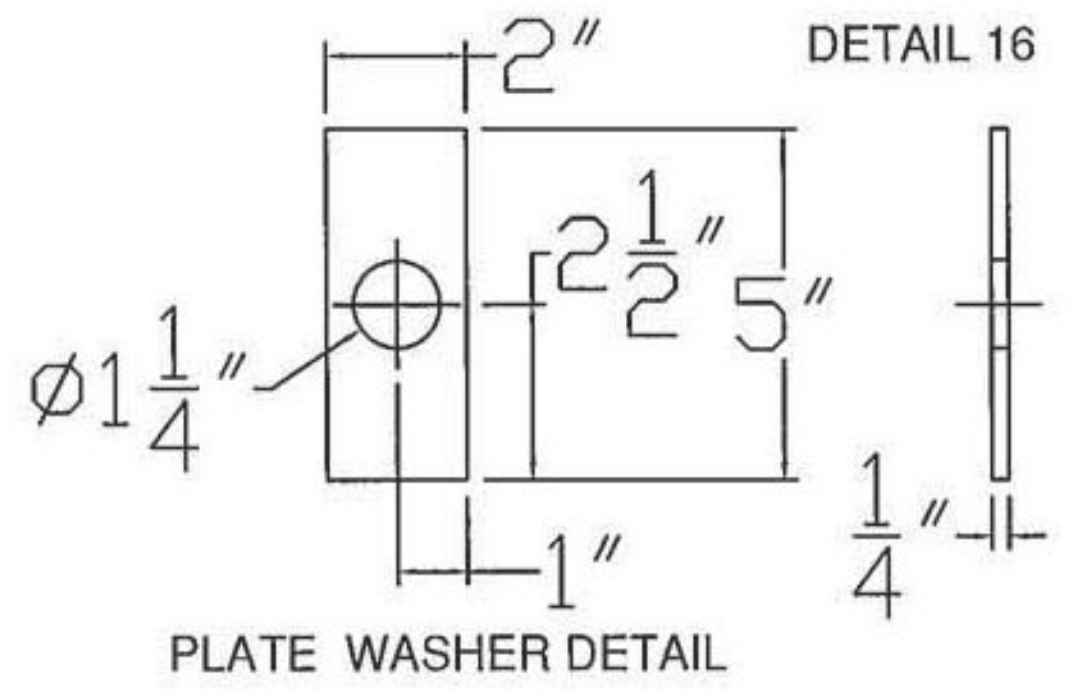


PLATE WASHER DETAIL

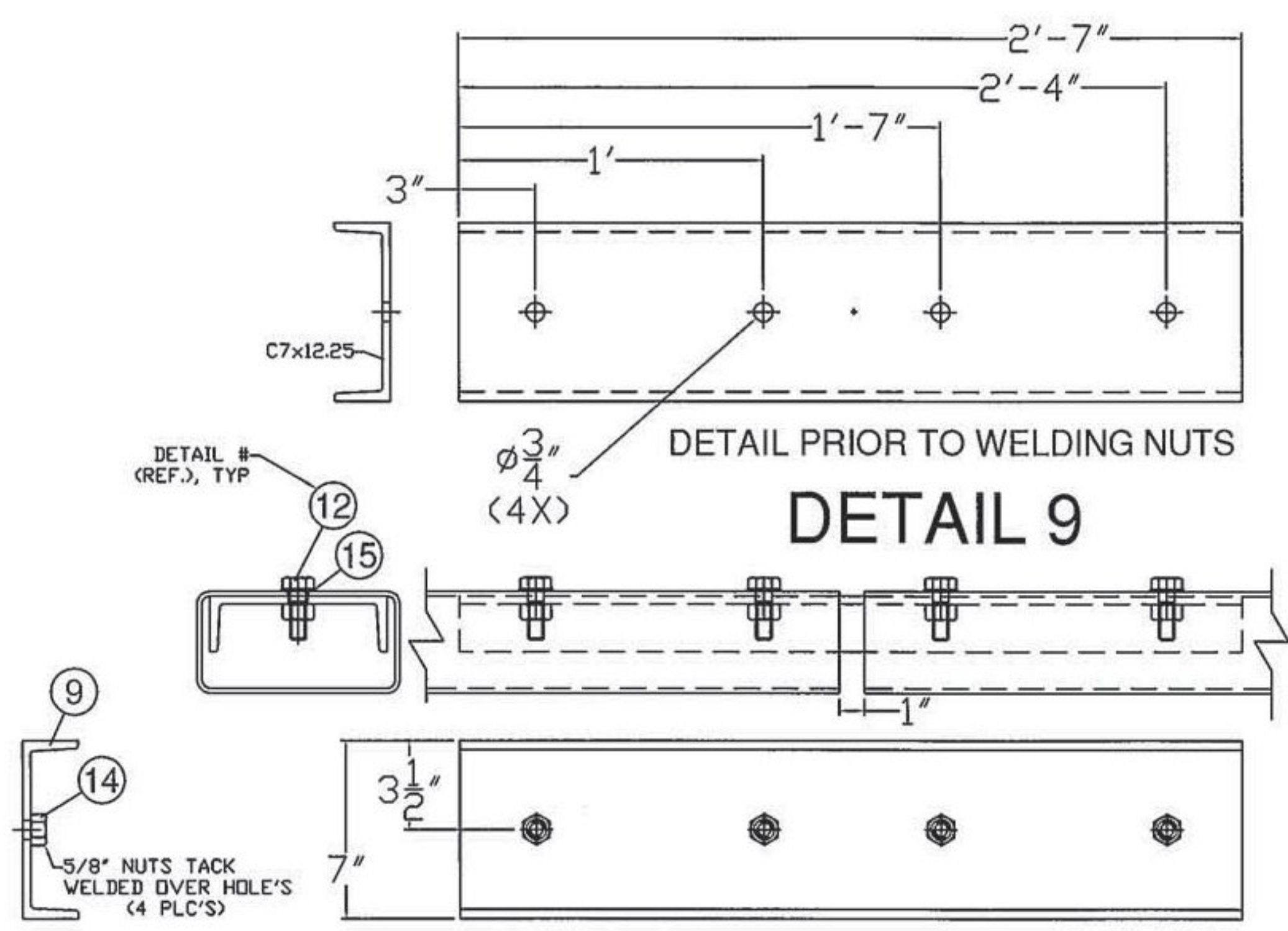
Vermont Agency of Transportation  
**RECEIVED**

CK'D BY MJC      OK'D BY TAS

July 23, 2014

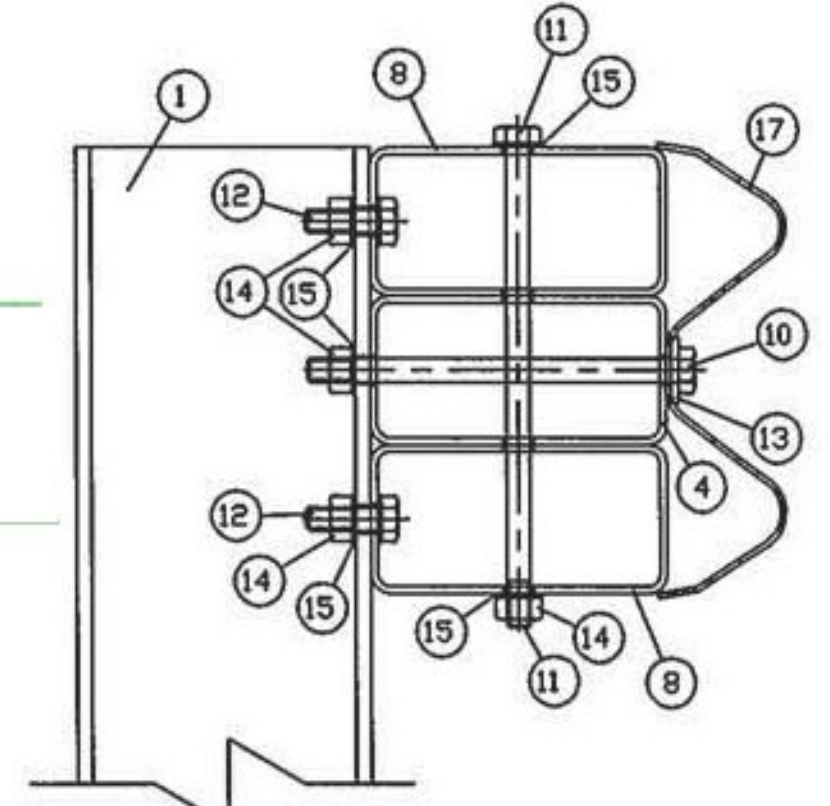
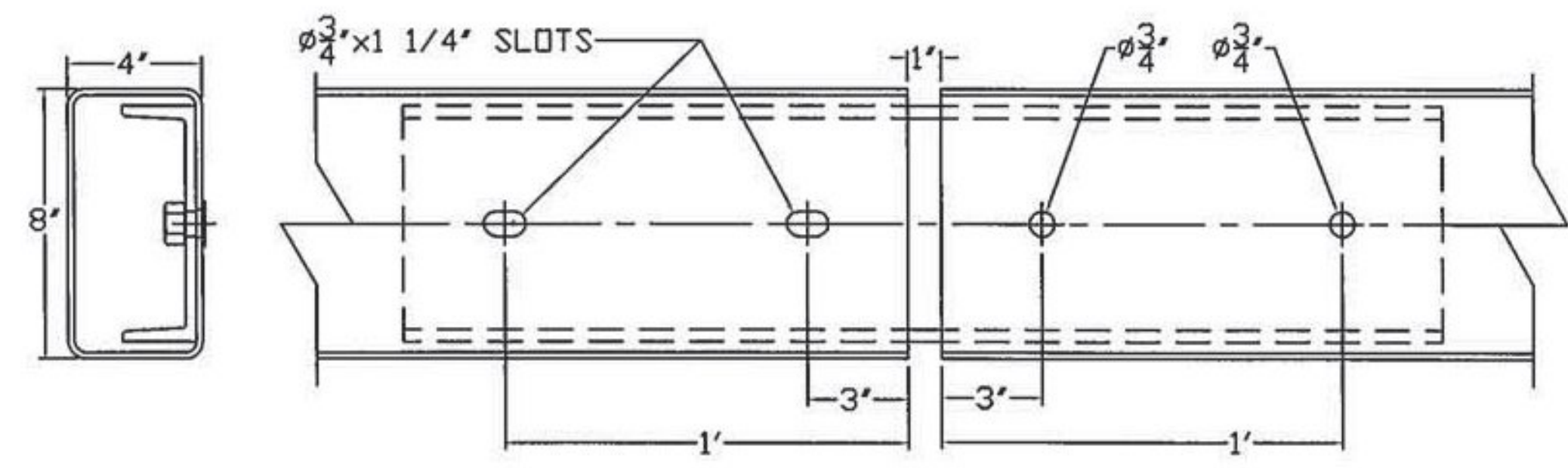
RESUBMIT No      Approved

BY M. J. Chenette      DATE 07/24/2014



DETAIL 9

RAIL SPLICE HOLES  
(HARDWARE NOT SHOWN FOR CLARITY)



ITEM #: 900.640      SOLD TO: F.R. LAFAYETTE (PO#28720)      SHEET 2 OF 2

APPROVED BY: \_\_\_\_\_

**SPECIAL PROVISION BRIDGE RAIL, GALV. HDSB/FM/ST**  
BRATTLEBORO BRO 1442 (35) TH 12, CLASS III (LOCAL ROAD), BRIDGE NO. 7  
TOWN OF BRATTLEBORO, COUNTY OF WINDHAM, VERMONT

R NO.	DATE	DESCRIPTION	BY	R NO.	DATE	DESCRIPTION	BY
E 1	5/23/14	REVISED PER 5/22/14 MARK-UP	EP	E			
V 2	6/18/14	REVISED PER 6/12/14 MARK-UP	EP	V			

**ELDERLEE, INC.**  
OAKS CORNERS, NEW YORK 14518  
E-Mail: dlong@elderlee.com  
Tel: 315-789-6670 Fax: 315-789-6615

U.S. CERTIFIED FABRICATOR

**DRAWN** D.L. 05/07/2014  
**CHECKED** E.P. 05/07/2014  
**APPROVED**  
**SCALE** SCHEMATIC  
**DRAWING NO.** FRL BRATTLEBORO