

IN ACCORDANCE WITH CONTRACT PLAN SHEET 39 OF 68, 10/2013.

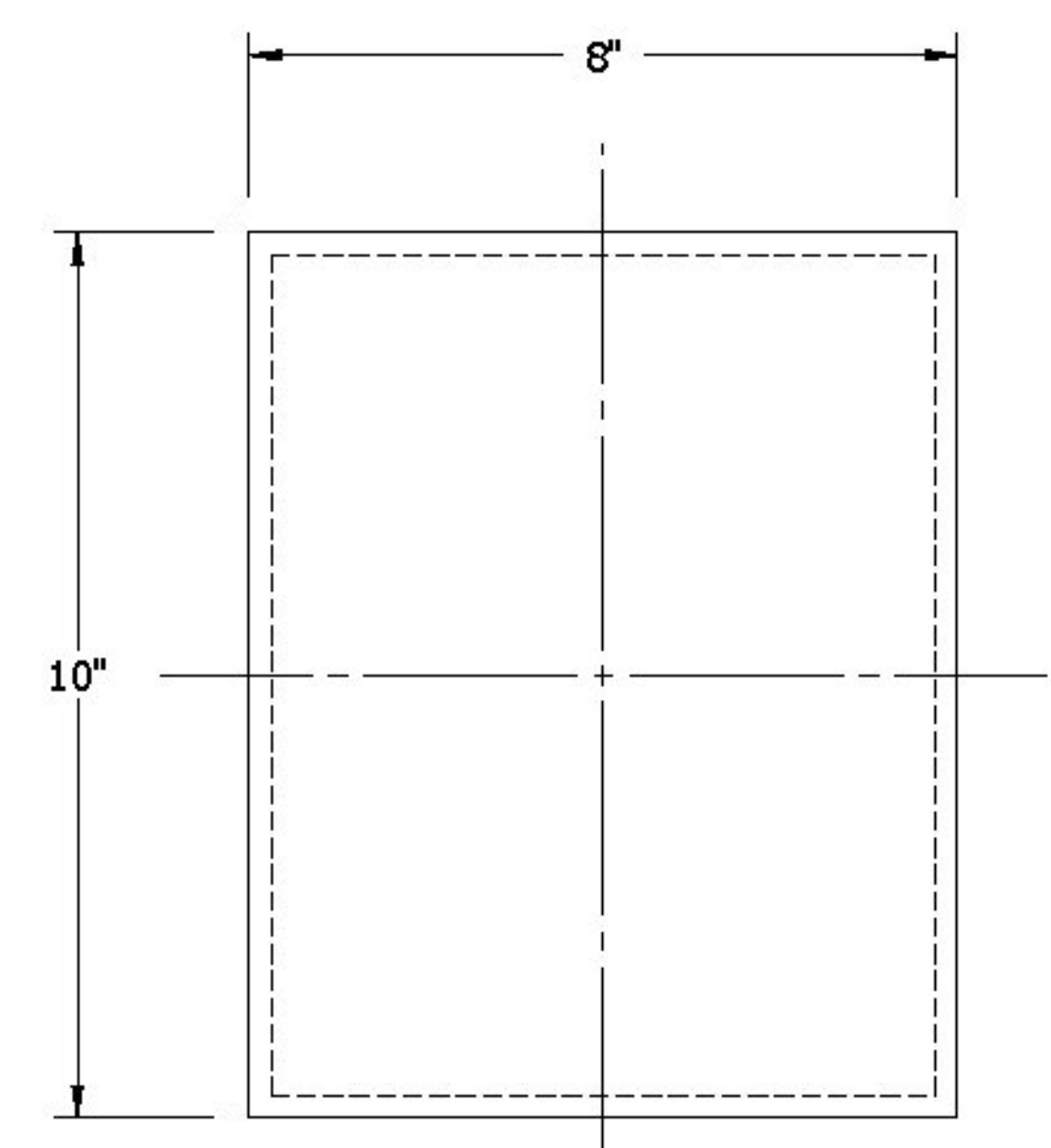
GENERAL NOTES

- ALL BEARINGS SHALL CONFORM TO THE STATE OF VERMONT AGENCY OF TRANSPORTATION STANDARD SPECIFICATIONS, SECTIONS 531 AND 731, UNLESS NOTED OTHERWISE.
- MATERIALS:**
 ELASTOMER.....50 ± 5 DURO NATURAL, GRADE 4

 CARBON STEEL SHIMS.....ASTM A1011, GR. 40 (QUOTED 10 GA. IN LIEU OF 1/8" DUE TO AVAILABILITY)

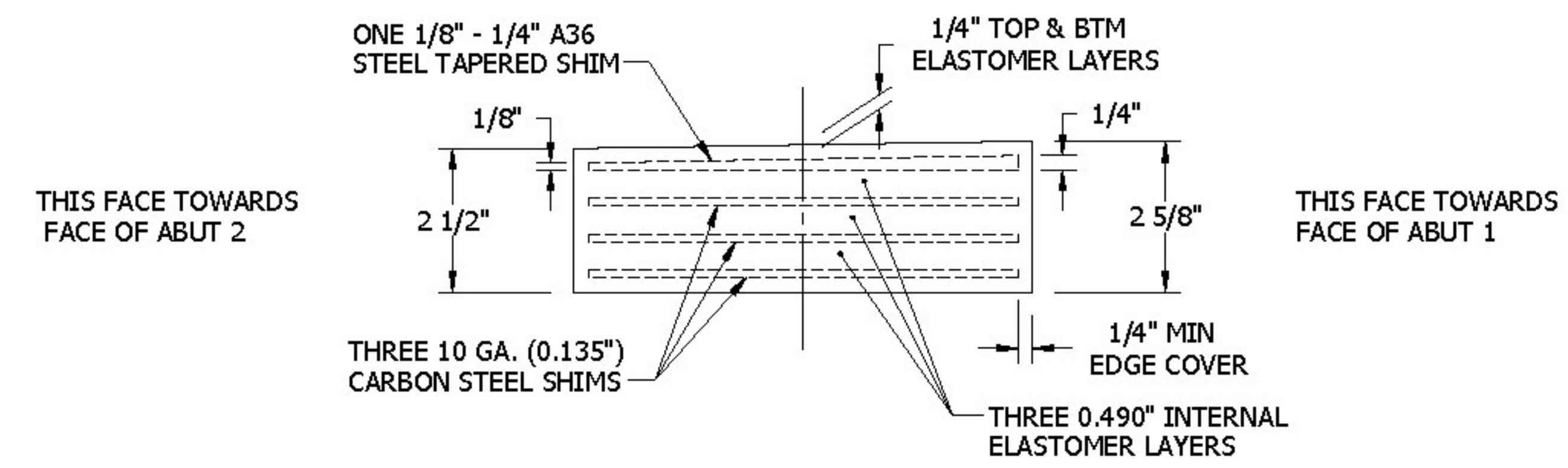
 TAPERED SHIM.....ASTM A36 OR BETTER
- TOLERANCES:**
LAMINATED PADS:
 VERTICAL.....-0, +1/4"
 HORIZONTAL.....-0, +1/4"
 THICKNESS OF LAYERS.....±1/8"
 PARALLELISM TOP.....0.005 rad
 PARALLELISM SIDES.....1/4"
 EDGE COVER.....-0, +1/8"
- MARKINGS:**
 EACH BEARING SHALL BE PERMANENTLY MARKED IN A LOCATION THAT IS VISIBLE WHEN THE DEVICE IS INSTALLED IN THE COMPLETED STRUCTURE. MARKING SHALL BE SEP STANDARD:
 CONTRACT/ORDER #
 LOT#
 BEARING ID # (MK. #)
 LOCATION/BRIDGE #
 ELASTOMER TYPE AND GRADE
 ORIENTATION (WHERE APPLICABLE)
- TESTING:** IN ACCORDANCE WITH THE VERMONT AOT SPECIFICATIONS. DESIGN METHOD A
- REPRESENTATIVE**
 CUSTOMER SERVICE: STEVE BOWMAN.....903-677-4318
 TECHNICAL: MIKE SPELLMAN.....903-677-4342

REVISIONS		
REV.	DESCRIPTION	DATE
A	SUBMITTAL	3/25/14



PLAN VIEW Label CL Brg.

STATION
----->



ELEVATION VIEW

MK.03
LAMINATED BEARING PADS
 ITEM 531.17
 @ BRATTLEBORO, BRO 1442(35)

(28) REQ'D

DL: 15 kips
 LL: 25 kips W/O IMPACT

Vermont Agency of Transportation
RECEIVED
 CK'D BY MJC OK'D BY TAS
March 26, 2014
 RESUBMIT No Approved AsNoted
 BY M. J. Chenette DATE 04/15/2014

SHOP DRAWING REVIEW

REVIEWED AS REQUIRED BY THE CONSTRUCTION CONTRACT DOCUMENTS AND APPROVED, BUT ONLY FOR CONFORMANCE TO THE DESIGN CONCEPT OF THE WORK, AND SUBJECT TO FURTHER LIMITATIONS AND REQUIREMENTS CONTAINED IN THE CONSTRUCTION CONTRACT DOCUMENTS.

REJECTED REVISE AND RESUBMIT FURNISH AS CORRECTED

CORRECTIONS OR COMMENTS MADE ON THE SHOP DRAWINGS DURING THIS REVIEW DO NOT RELIEVE CONTRACTOR FROM COMPLIANCE WITH REQUIREMENTS OF THE DRAWINGS AND SPECIFICATIONS. THIS CHECK IS ONLY FOR REVIEW OF GENERAL CONFORMANCE WITH THE DESIGN CONCEPT OF THE PROJECT AND GENERAL COMPLIANCE WITH THE INFORMATION GIVEN IN THE CONTRACT DOCUMENTS. THE CONTRACTOR IS RESPONSIBLE FOR: CONFIRMING AND CORRELATING ALL QUANTITIES AND DIMENSIONS; SELECTING FABRICATION PROCESSES AND TECHNIQUES OF CONSTRUCTION; COORDINATING HIS WORK WITH THAT OF ALL OTHER TRADES; AND PERFORMING HIS WORK IN A SAFE AND SATISFACTORY MANNER.

Vanasse Hangen Brustlin, Inc. 7056 US Route 7 North Ferrisburgh, VT 05473 802.425.7788	Job Number: <u>57428.00</u>
	Reviewed By: <u>E.A. FIALA</u>
Date: <u>04-15-2014</u>	

Seismic Energy Products, Inc.

STRUCTURAL BEARINGS FOR BRIDGES & BUILDINGS
 ATHENS, TX PHONE: 903-675-8571

BEARING ASSY FOR:
STATE OF VERMONT AGENCY OF TRANSPORTATION

PROJECT NAME: BRATTLEBORO
 PROJECT NO.: BRO 1442(35)

CONTRACTOR: **RENAUD BROS**

DRAWN CWILLIAMS	DATE 2/11/13	PO # S. QTE
CHECKED	DATE	SO NO. & ST. 58878 VT
REVIEWED MSPELLMAN	DATE 3/25/14	SHEET 1 OF 1