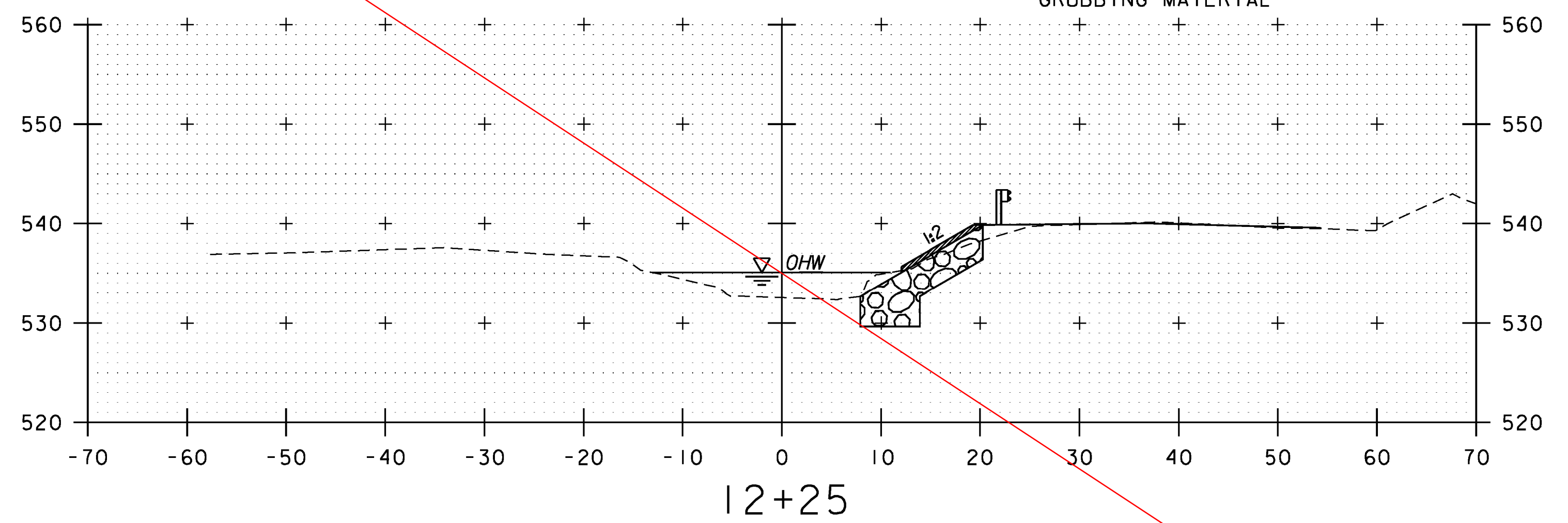
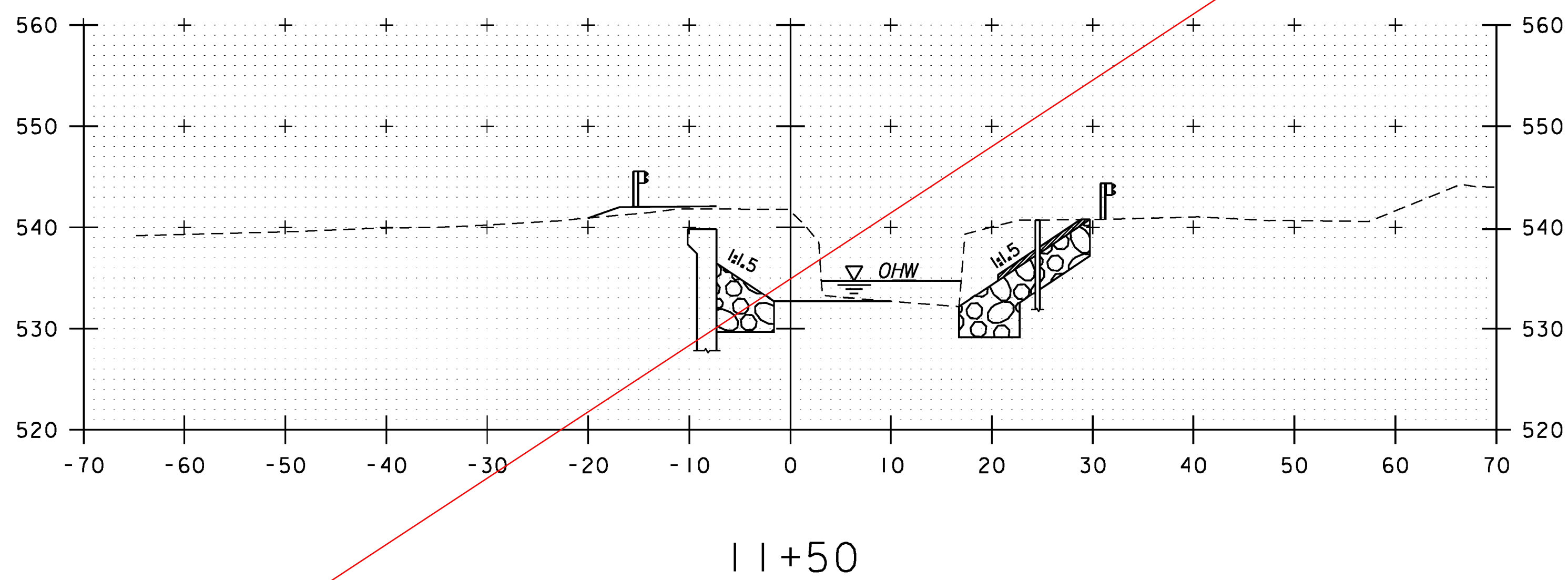
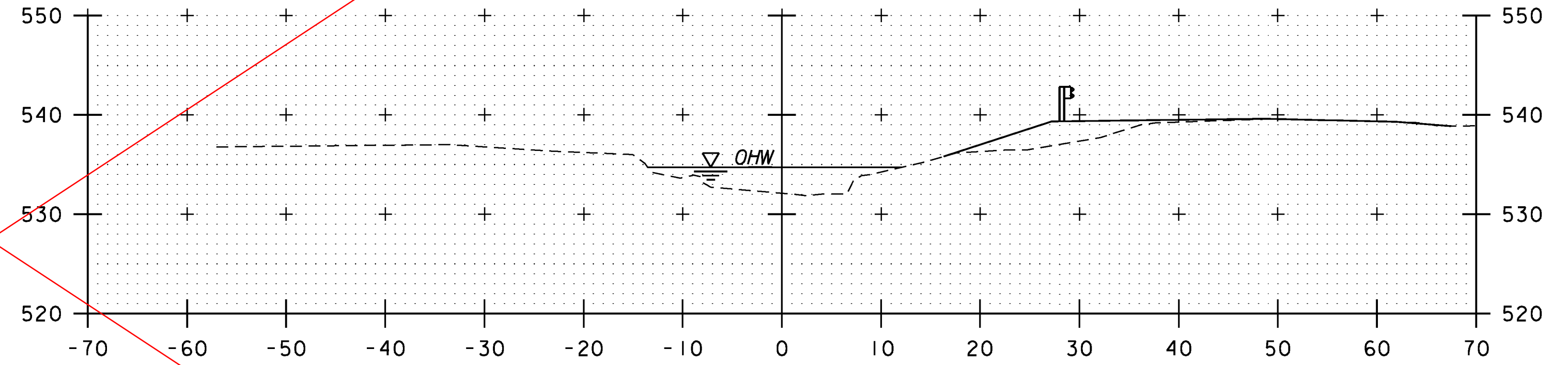
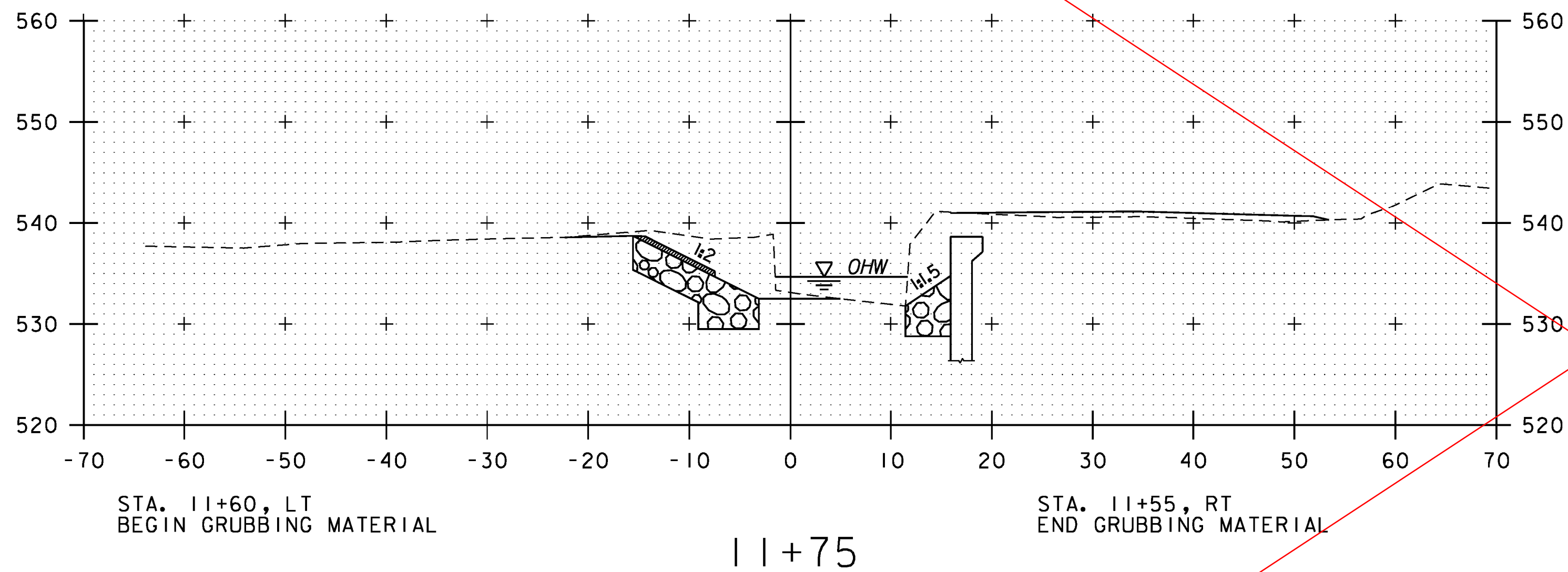
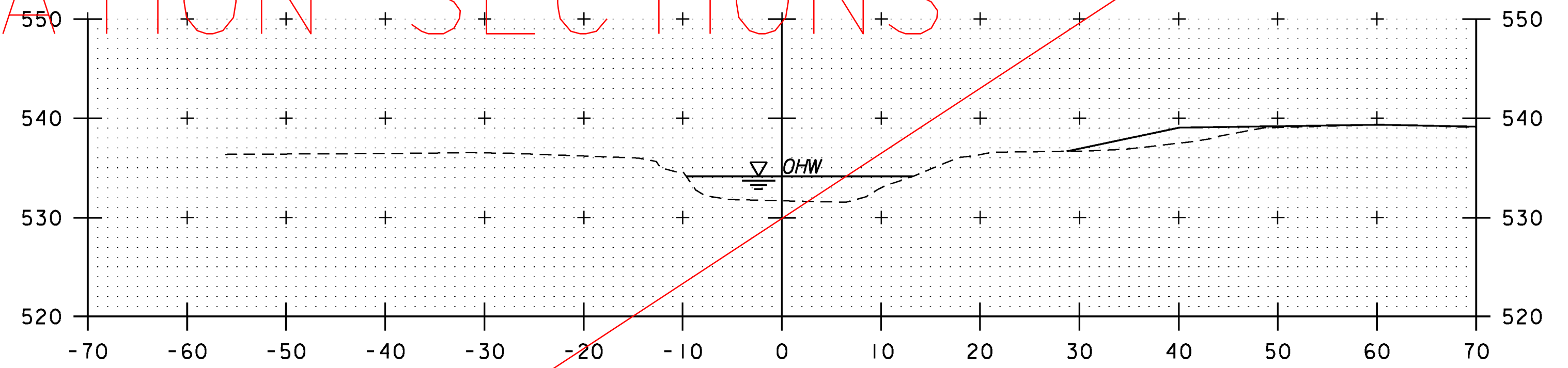
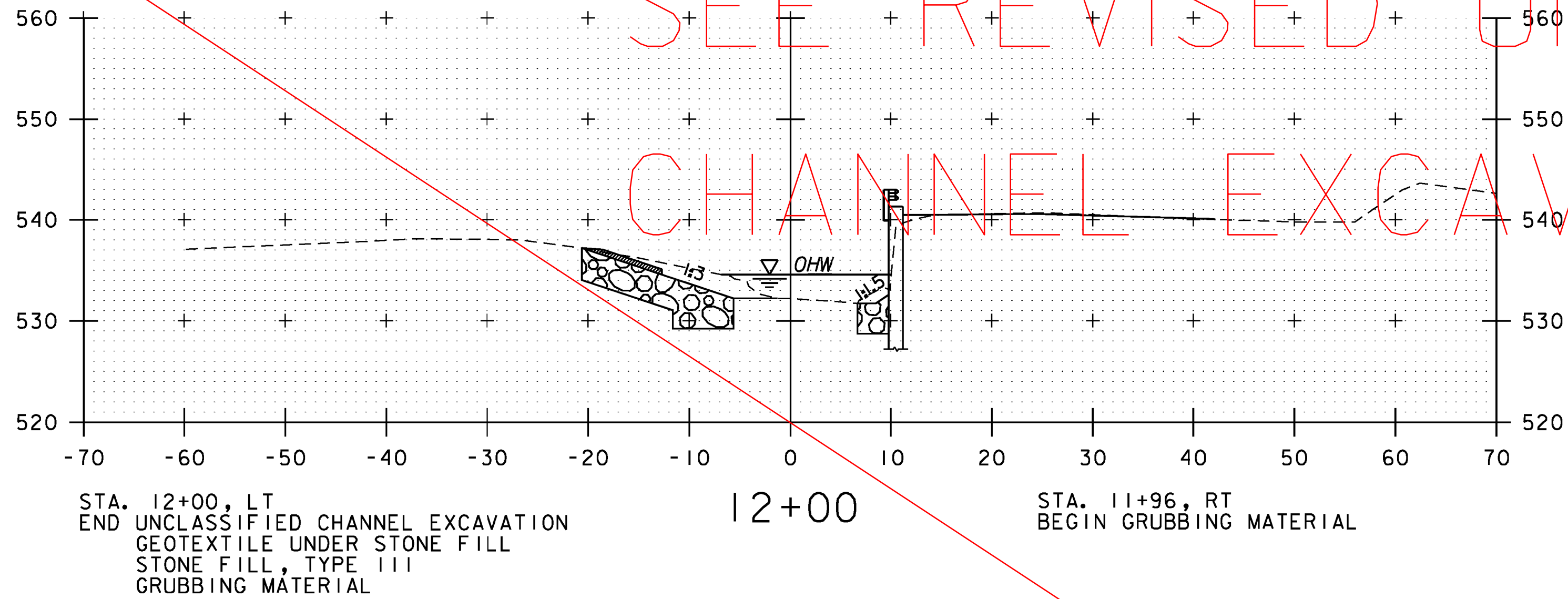


SEE REVISED UNCLASSIFIED CHANNEL EXCAVATION SECTIONS



CHANNEL CROSS SECTIONS
SCALE 1" = 10'-0"
STA. 11+50 TO STA. 12+75



PROJECT NAME: BRATTLEBORO	
PROJECT NUMBER: BRO 1442(35)	
FILE NAME: z10j062xsl.dgn	PLOT DATE: 10/14/2013
PROJECT LEADER: S.E. BURBANK	DRAWN BY: E.A. FIALA
DESIGNED BY: E.A. FIALA	CHECKED BY: S.E. BURBANK
CHANNEL CROSS SECTIONS (2 OF 3)	SHEET 58 OF 68