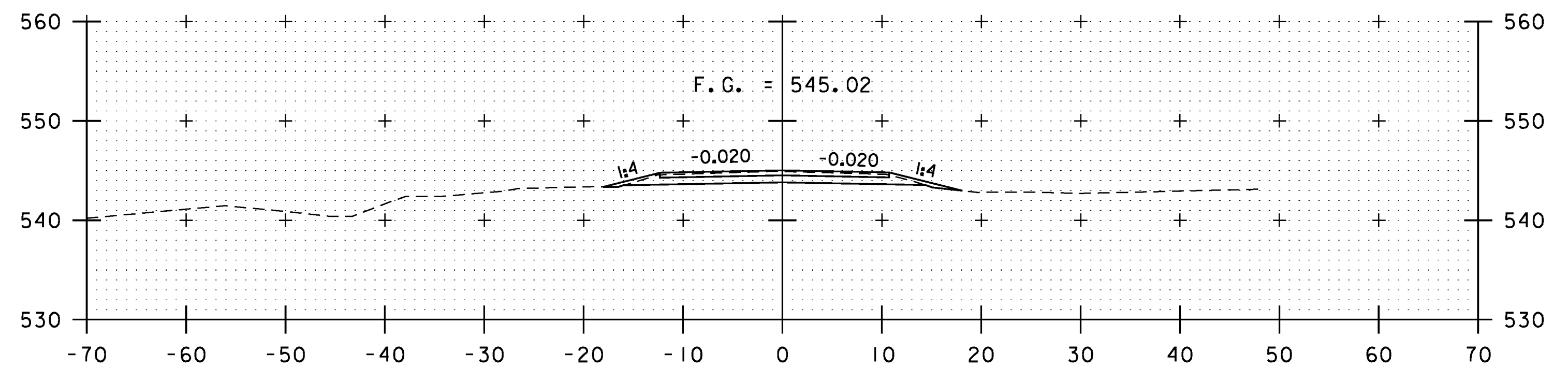
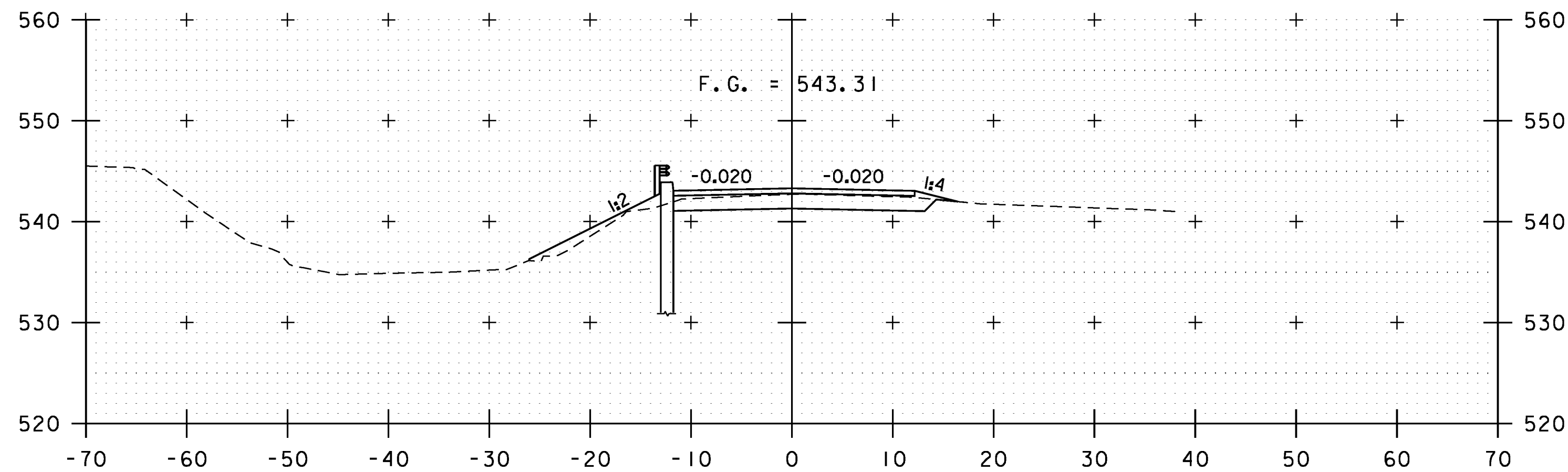


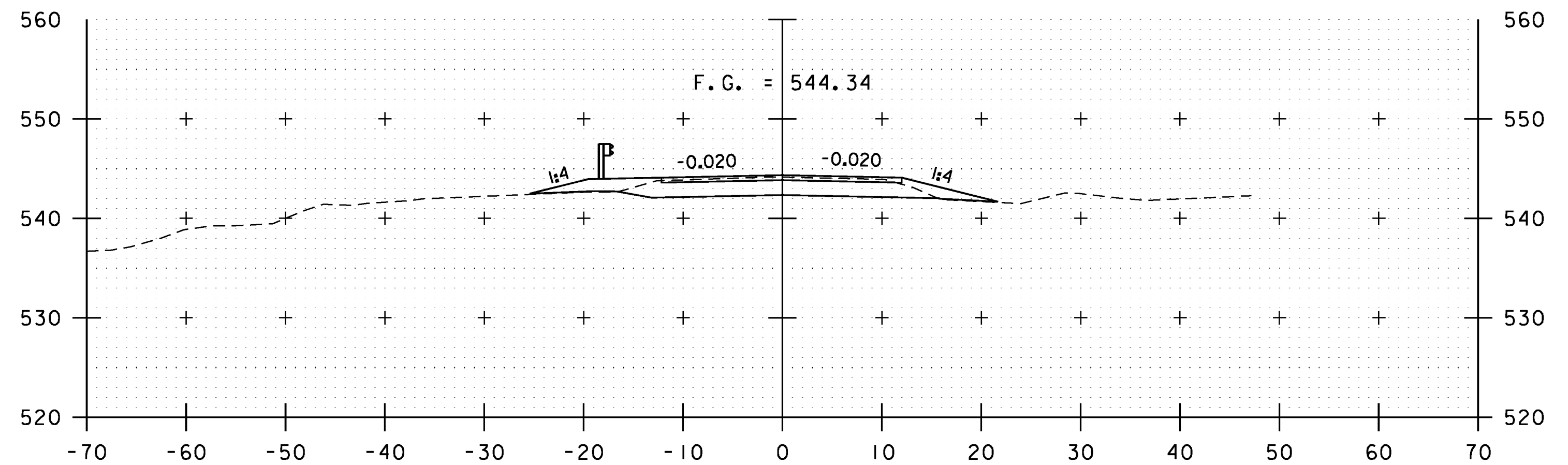
104+25



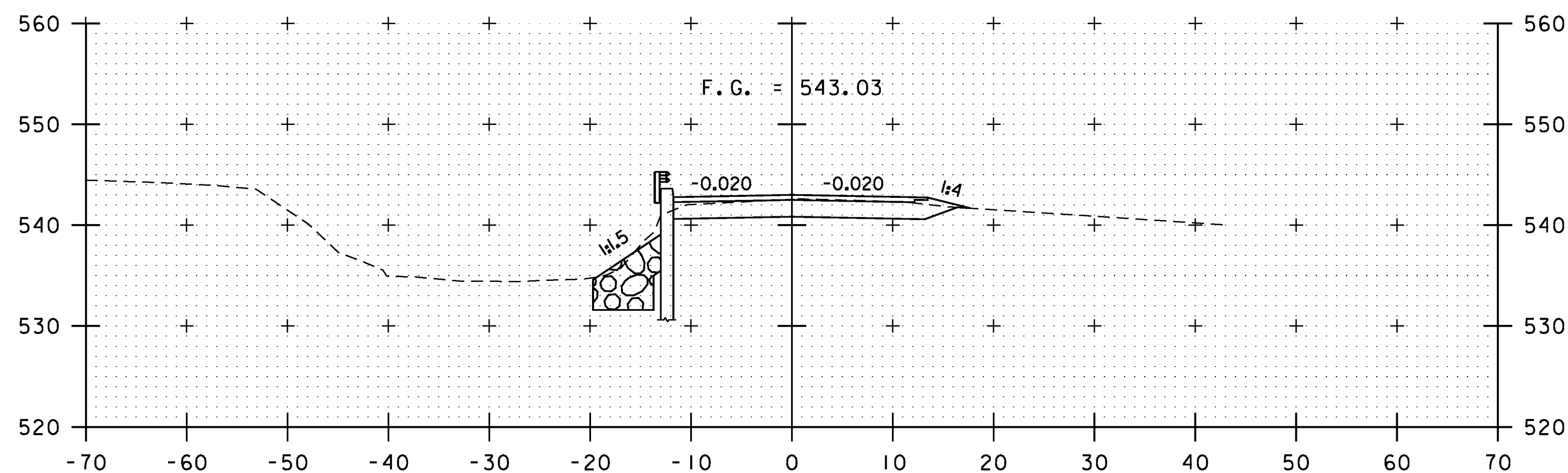
105+00  
END PROJECT



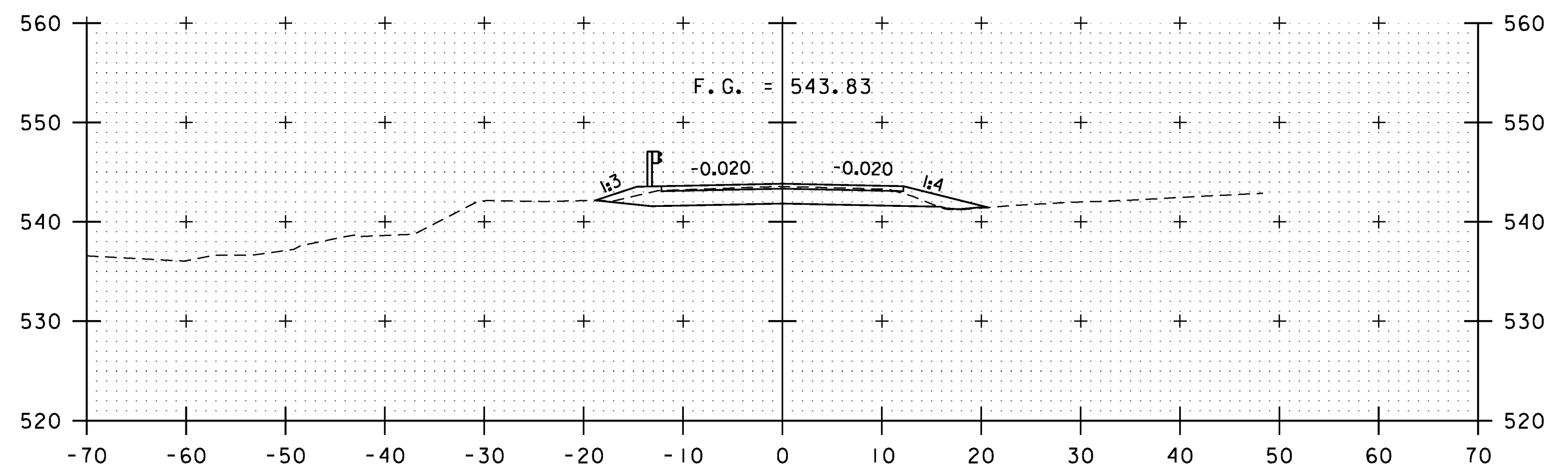
104+00



104+75



103+75



104+50

ROADWAY CROSS SECTIONS

SCALE 1" = 10'-0"

STA. 103+75 TO STA. 105+00

PROJECT NAME: BRATTLEBORO  
PROJECT NUMBER: BRO 1442(35)

FILE NAME: z10j062xsl.dgn  
PROJECT LEADER: S.E. BURBANK  
DESIGNED BY: E.A. FIALA  
ROADWAY CROSS SECTIONS (3 OF 4)

PLOT DATE: 10/14/2013  
DRAWN BY: E.A. FIALA  
CHECKED BY: S.E. BURBANK  
SHEET 55 OF 68

