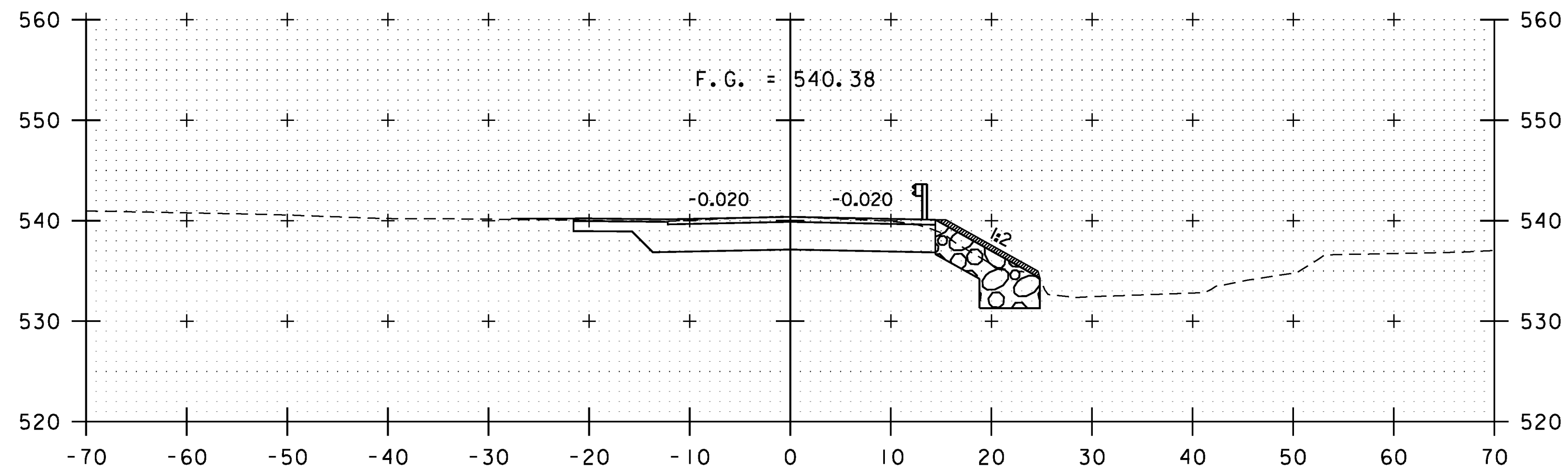
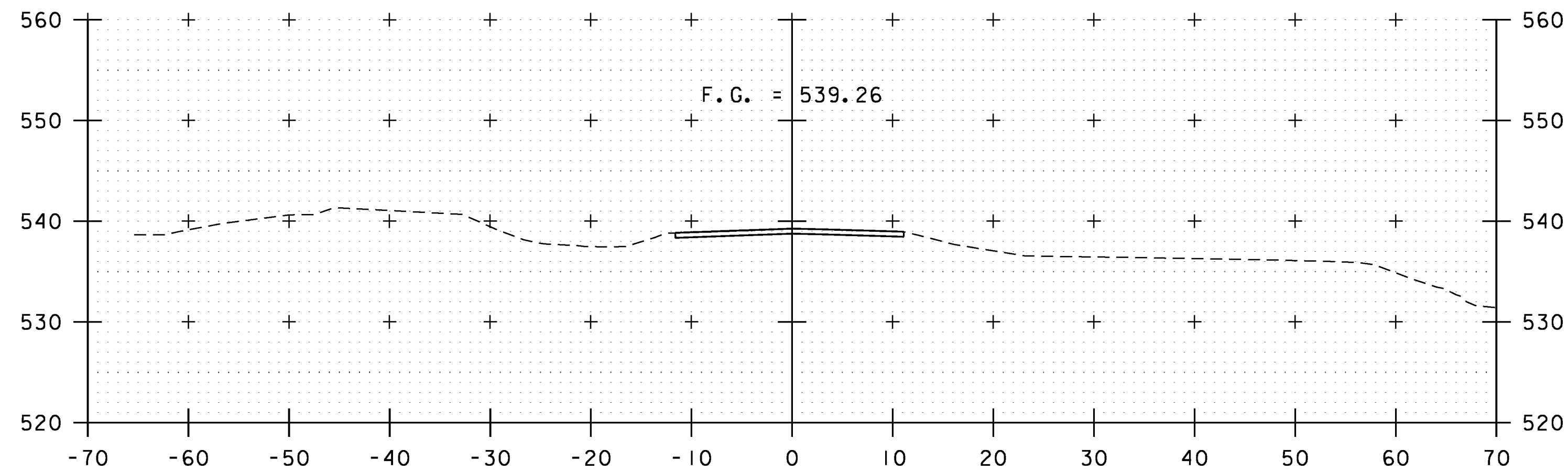


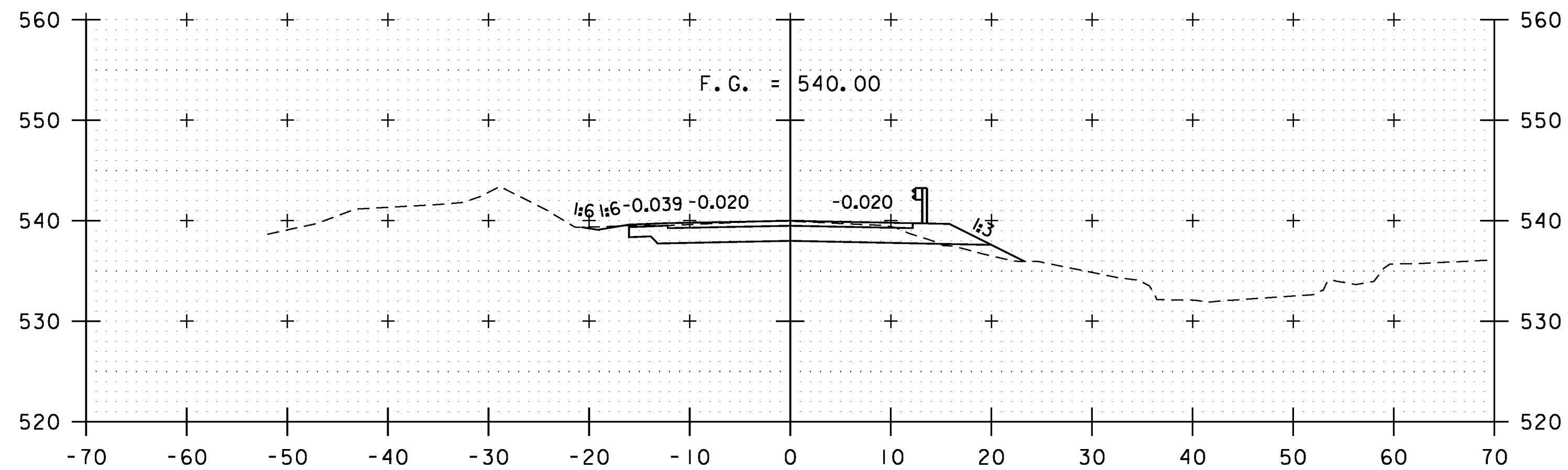
101+75



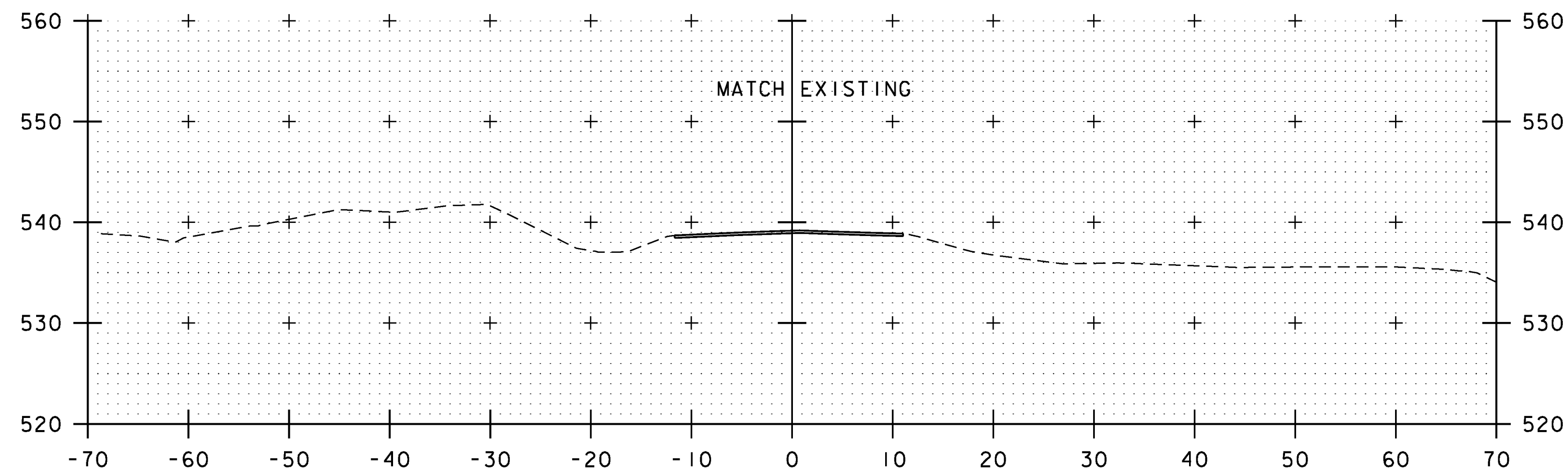
PRIVATE ROAD LT
102+45



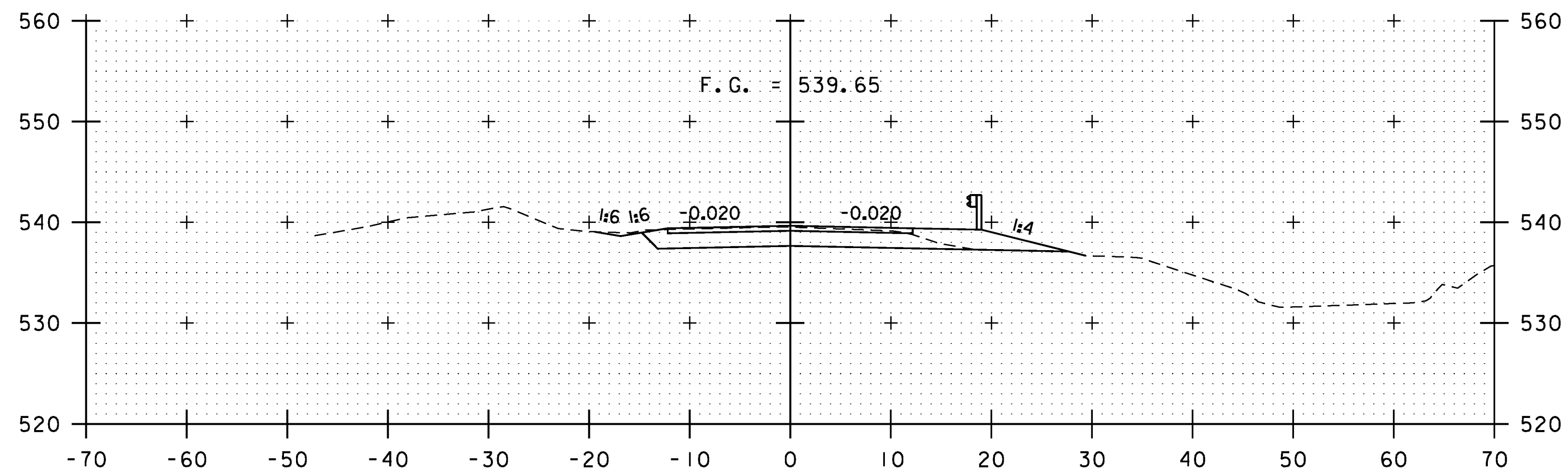
101+50



102+25



101+35
BEGIN APPROACH
STA 101+35.00



102+00
BEGIN PROJECT
STA 101+80.00

ROADWAY CROSS SECTIONS
SCALE 1" = 10'-0"
STA. 101+35 TO STA. 102+45

PROJECT NAME:	BRATTLEBORO
PROJECT NUMBER:	BRO 1442(35)
FILE NAME:	z10j062xsl.dgn
PROJECT LEADER:	S.E. BURBANK
DESIGNED BY:	E.A. FIALA
ROADWAY CROSS SECTIONS (1 OF 4)	
PLOT DATE:	10/14/2013
DRAWN BY:	E.A. FIALA
CHECKED BY:	S.E. BURBANK
SHEET	53 OF 68

