

NOTE: FOR INFORMATION NOT SHOWN SEE WW3 ELEVATION AND WINGWALL NO. 3 TYPICAL SECTION B-B.

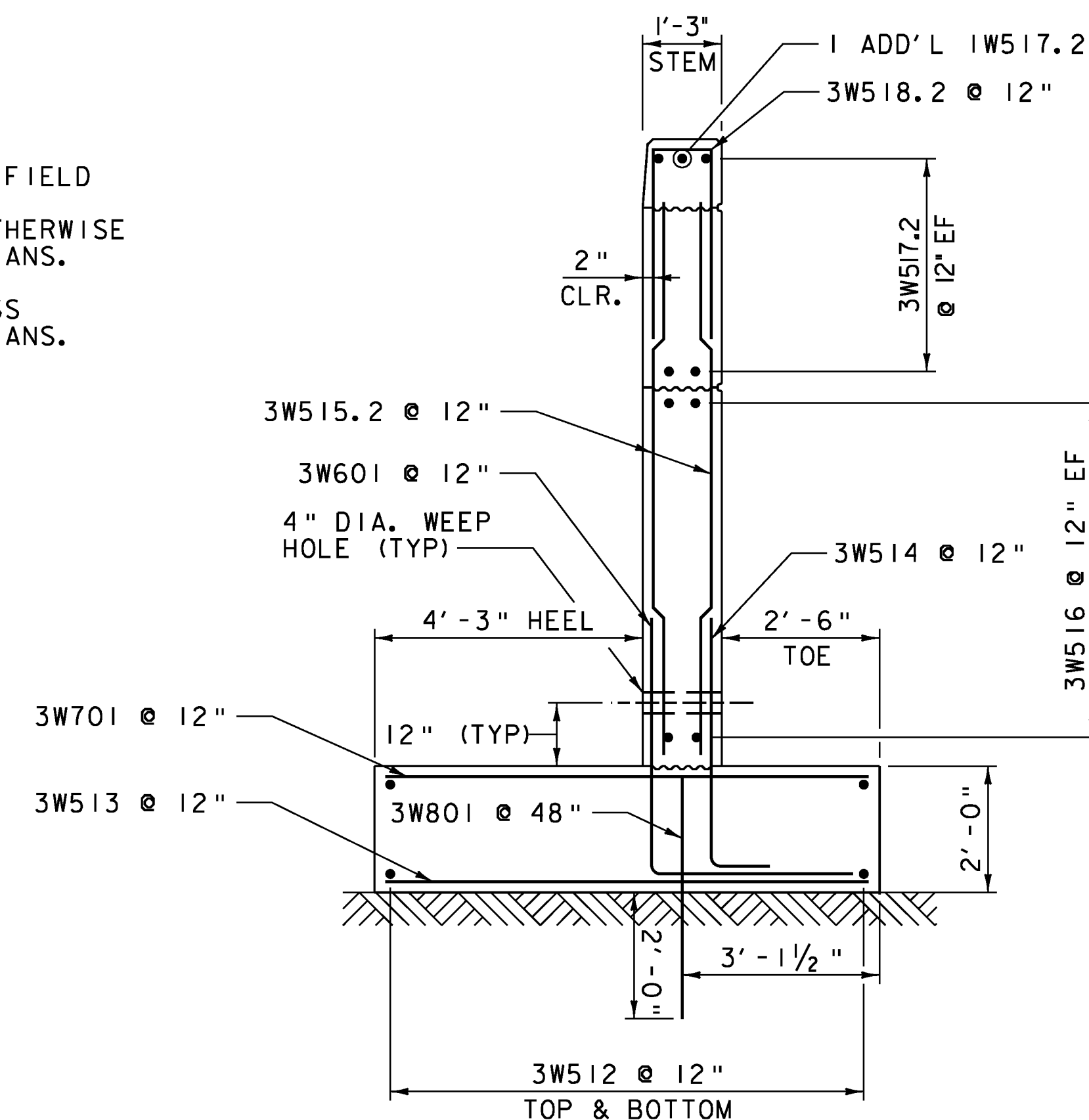
TYPICAL STEP FOOTING REBAR
SCALE 1/2" = 1'-0"

NOTE:

NF = NEAR FACE
FF = FAR FACE
EF = EACH FACE
▲ = CUT TO FIT IN FIELD

3" CLEAR, UNLESS OTHERWISE SPECIFIED ON THE PLANS.

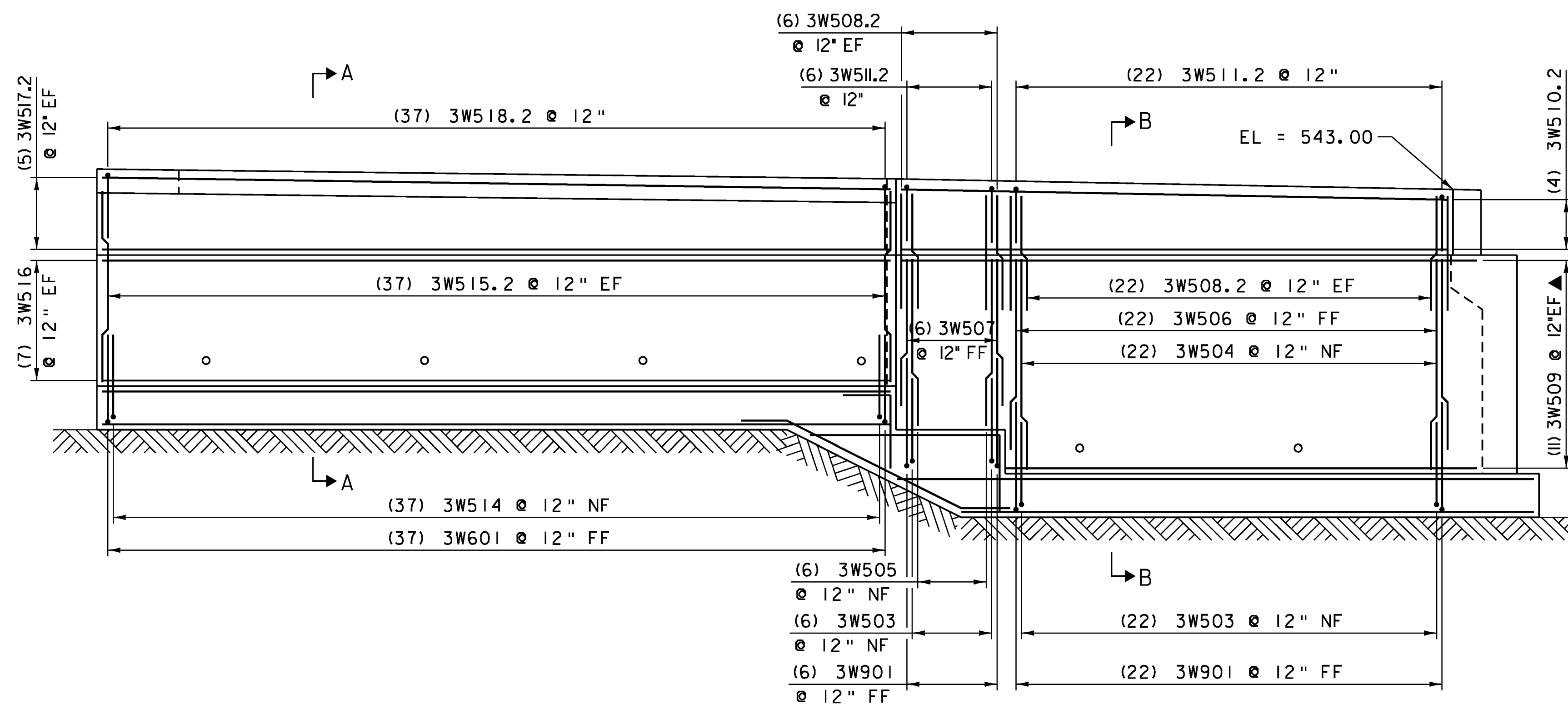
2'-2" BAR LAP UNLESS SPECIFIED ON THE PLANS.



WINGWALL NO. 3
TYPICAL SECTION A-A

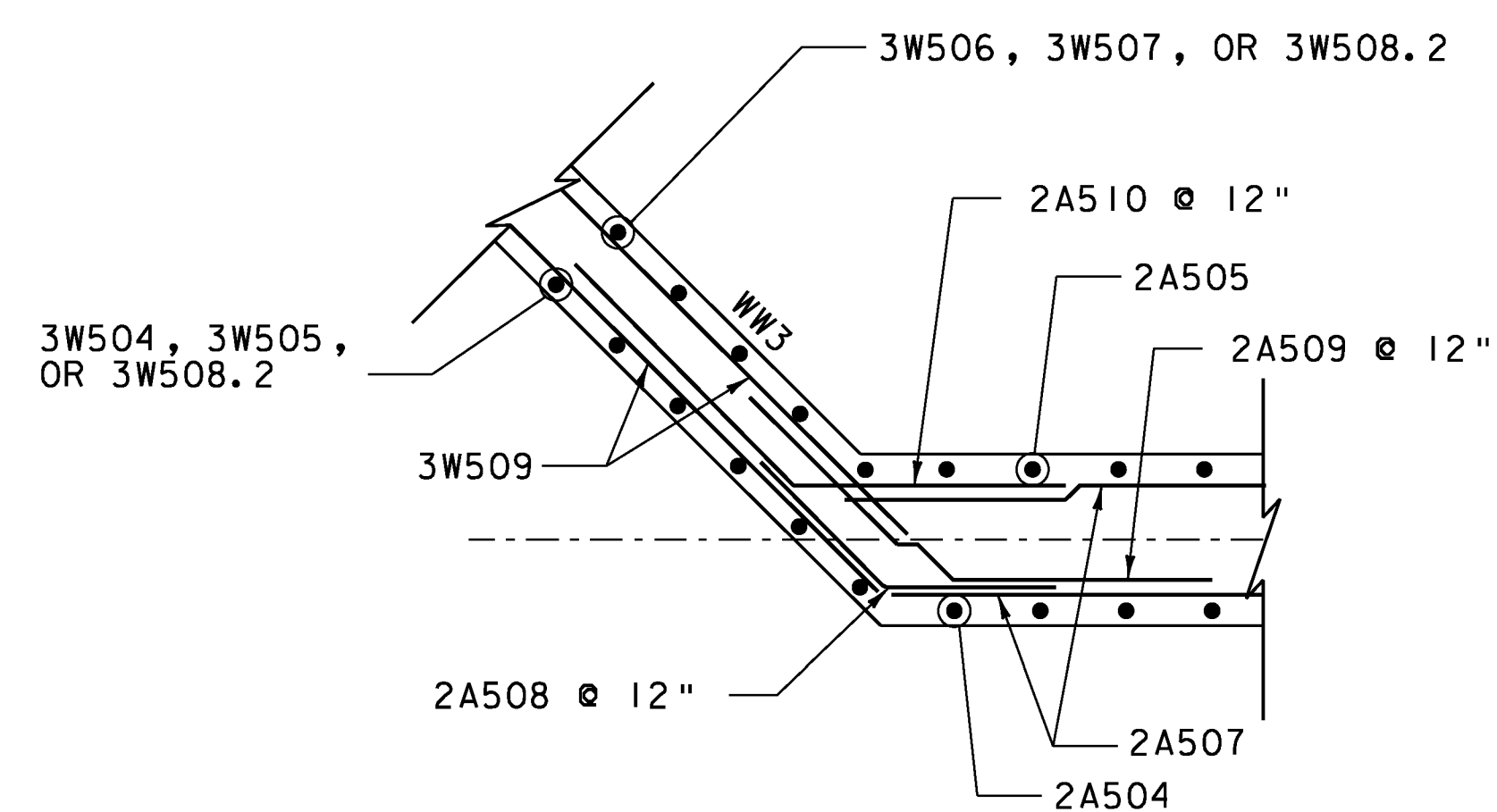
SCALE 1/2" = 1'-0"

SEE WINGWALL NO. 4 ELEVATION AND DETAILS SHEET FOR SECTION B-B.



NOTE: SEE TYPICAL STEP FOOTING REBAR AND WINGWALL NO. 3 TYPICAL SECTION A-A AND B-B FOR DETAILS NOT SHOWN.

WW3 ELEVATION
SCALE 1/4" = 1'-0"



WINGWALL NO. 3 CORNER DETAIL BELOW SEAT

SCALE 1/2" = 1'-0"

PROJECT NAME: BRATTLEBORO
PROJECT NUMBER: BRO 1442(35)

FILE NAME: z10j062sub2.dgn
PROJECT LEADER: S.E. BURBANK
DESIGNED BY: C.J. HAKY
WINGWALL NO. 3 ELEVATION & DETAILS

PLOT DATE: 10/14/2013
DRAWN BY: E.A. FIALA
CHECKED BY: S.E. BURBANK
SHEET 46 OF 68