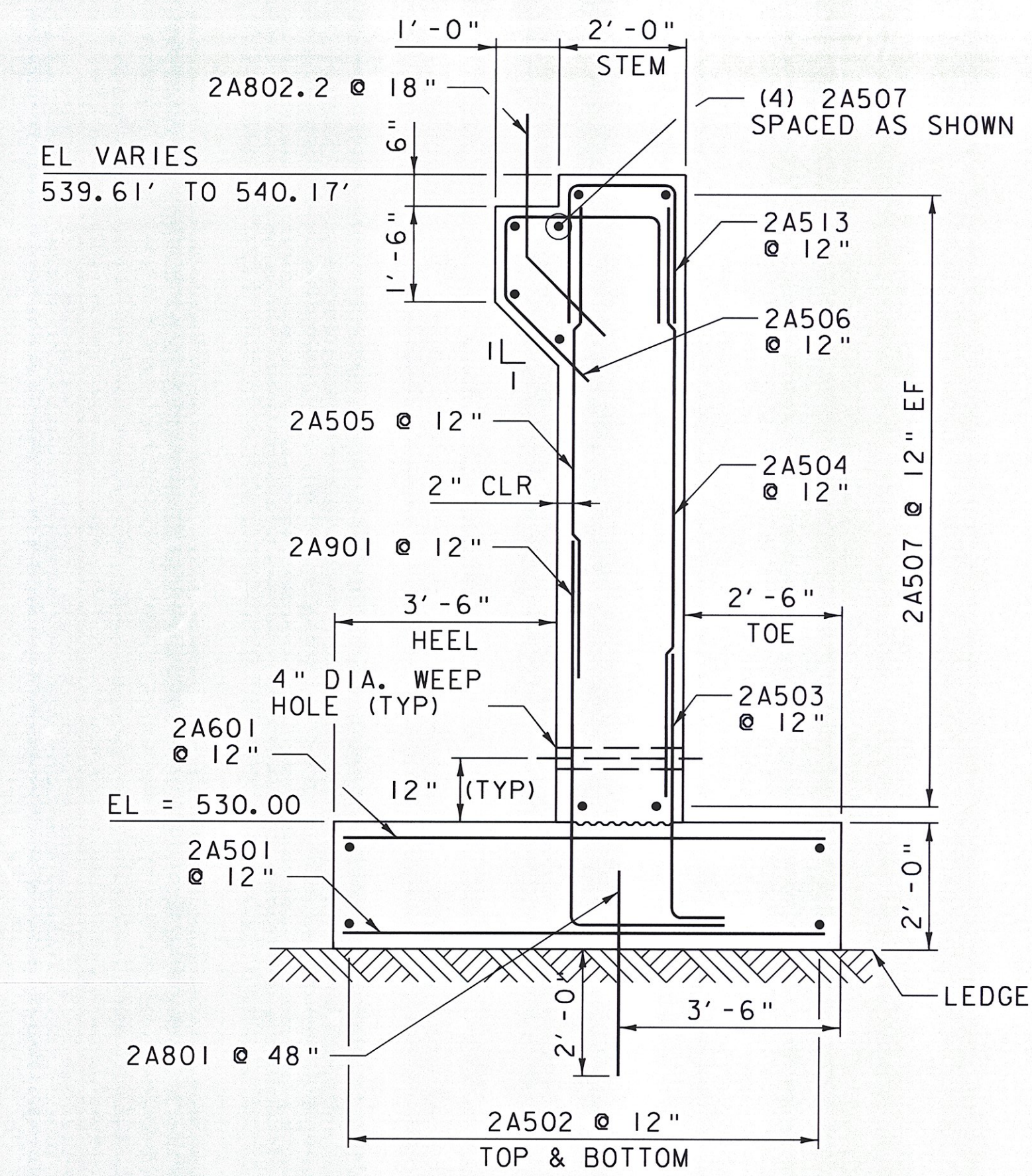
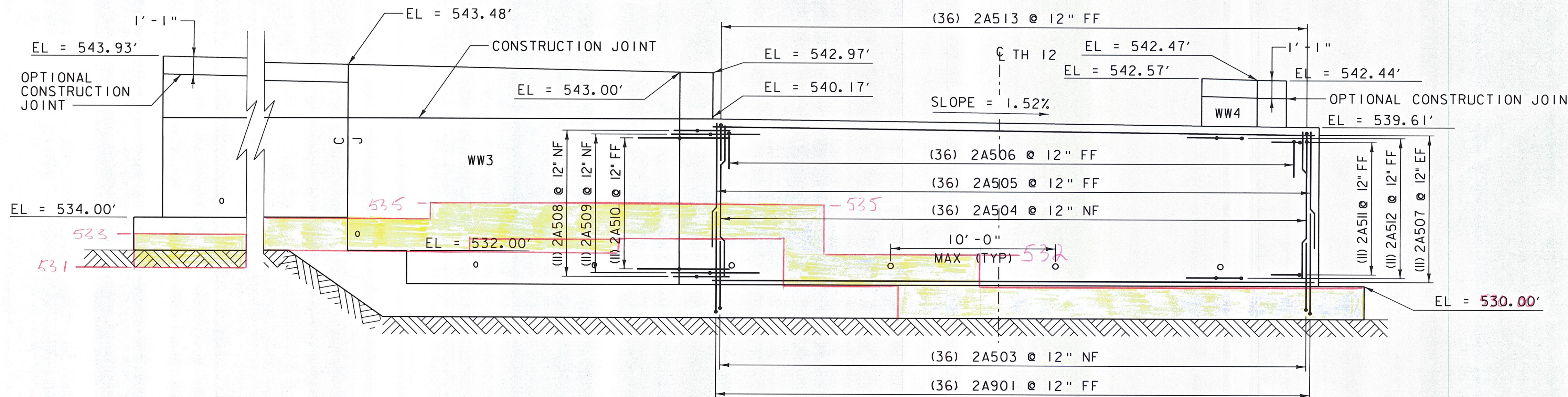


ABUTMENT NO. 2 PLAN VIEW
SCALE 1/4" = 1'-0"



ABUTMENT NO. 2 TYPICAL
SCALE 1/2" = 1'-0"



ABUTMENT NO. 2 ELEVATION
SCALE 1/4" = 1'-0"

NOTE:
NF = NEAR FACE
FF = FAR FACE
EF = EACH FACE
▲ = CUT TO FIT IN FIELD
3" CLEAR, UNLESS OTHERWISE SPECIFIED ON THE PLANS.
2'-2" BAR LAP UNLESS SPECIFIED ON THE PLANS.

PROJECT NAME:	BRATTLEBORO <i>Footings - As Built</i>
PROJECT NUMBER:	BRO 1442(35)
FILE NAME:	z10j062sub2.dgn
PROJECT LEADER:	S.E. BURBANK
DESIGNED BY:	C.J. HAKKEY
ABUTMENT NO. 2 PLAN & ELEVATION	
PLOT DATE:	10/14/2013
DRAWN BY:	E.A. FIALA
CHECKED BY:	S.E. BURBANK
SHEET	45 OF 68

