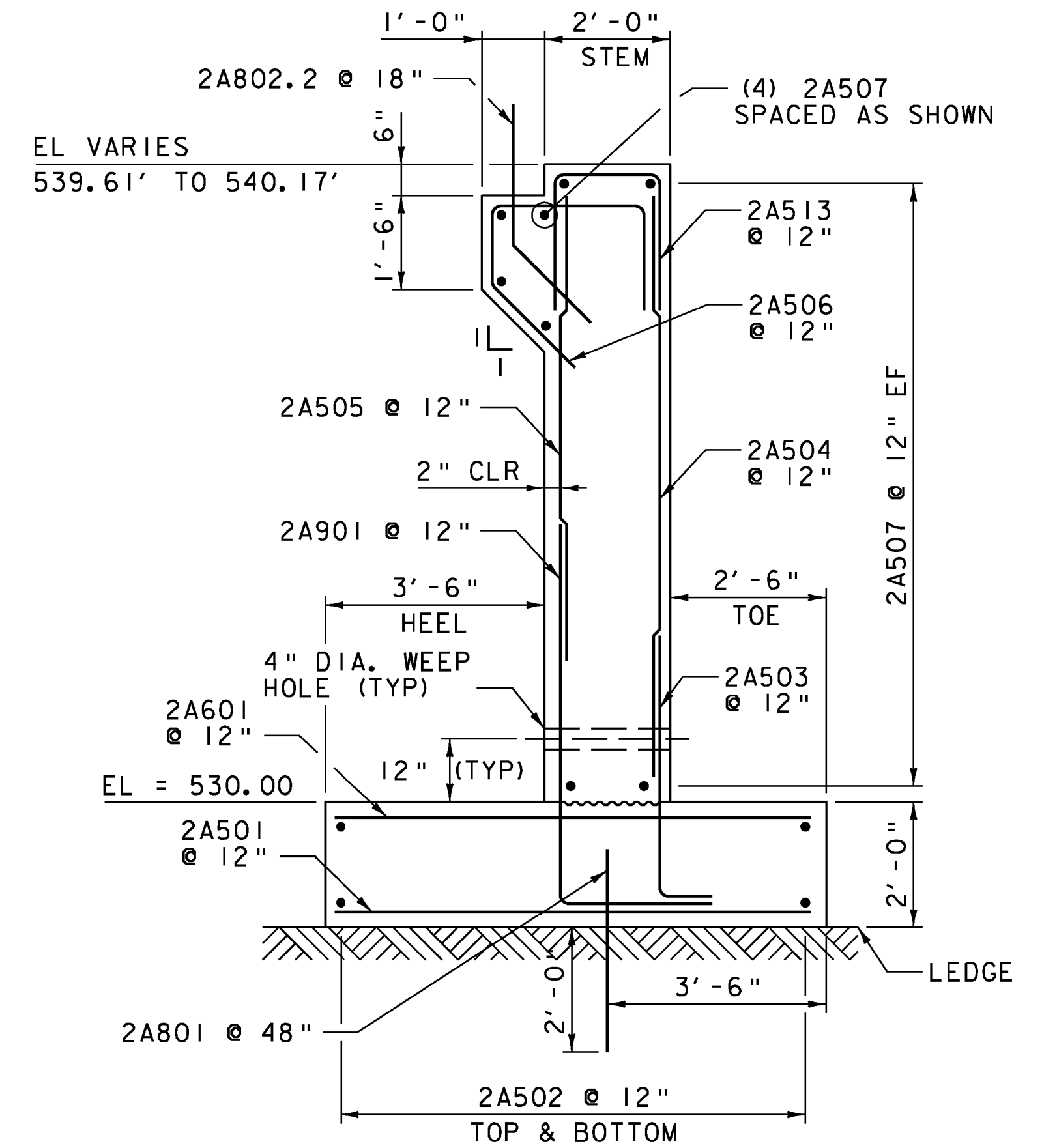
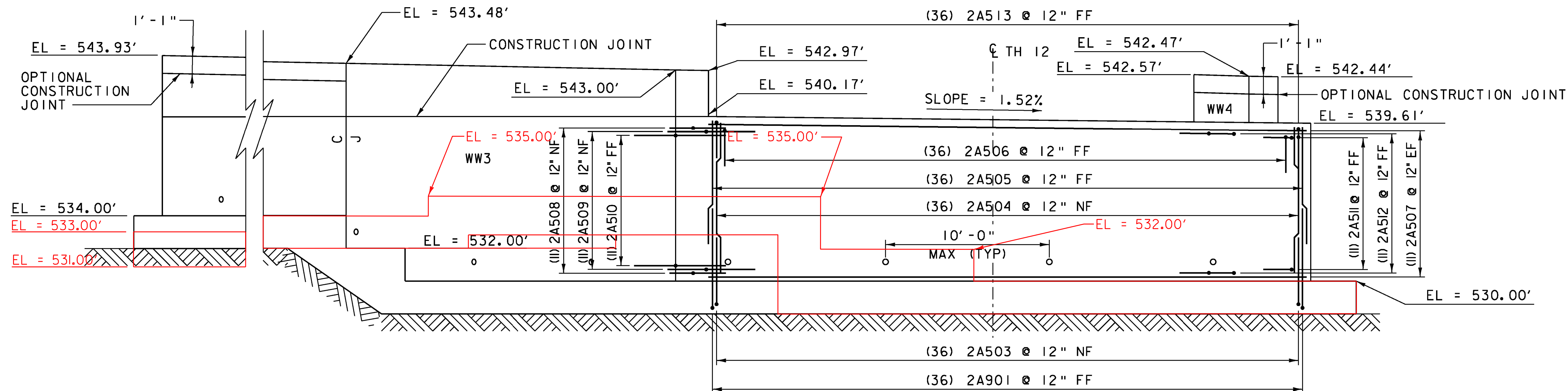


ABUTMENT NO. 2 PLAN VIEW
SCALE 1/4" = 1'-0"



ABUTMENT NO. 2 TYPICAL
SCALE 1/2" = 1'-0"



ABUTMENT NO. 2 ELEVATION
SCALE 1/4" = 1'-0"

NOTE:
 NF = NEAR FACE
 FF = FAR FACE
 EF = EACH FACE
 ▲ = CUT TO FIT IN FIELD
 3" CLEAR, UNLESS OTHERWISE SPECIFIED ON THE PLANS.
 2'-2" BAR LAP UNLESS SPECIFIED ON THE PLANS.

PROJECT NAME:	BRATTLEBORO	FILE NAME:	z10j062sub2.dgn	PLOT DATE:	10/14/2013
PROJECT NUMBER:	BRO 1442(35)	PROJECT LEADER:	S.E. BURBANK	DRAWN BY:	E.A. FIALA
		DESIGNED BY:	C.J. HAKY	CHECKED BY:	S.E. BURBANK
		ABUTMENT NO. 2 PLAN & ELEVATION		SHEET	45 OF 68

