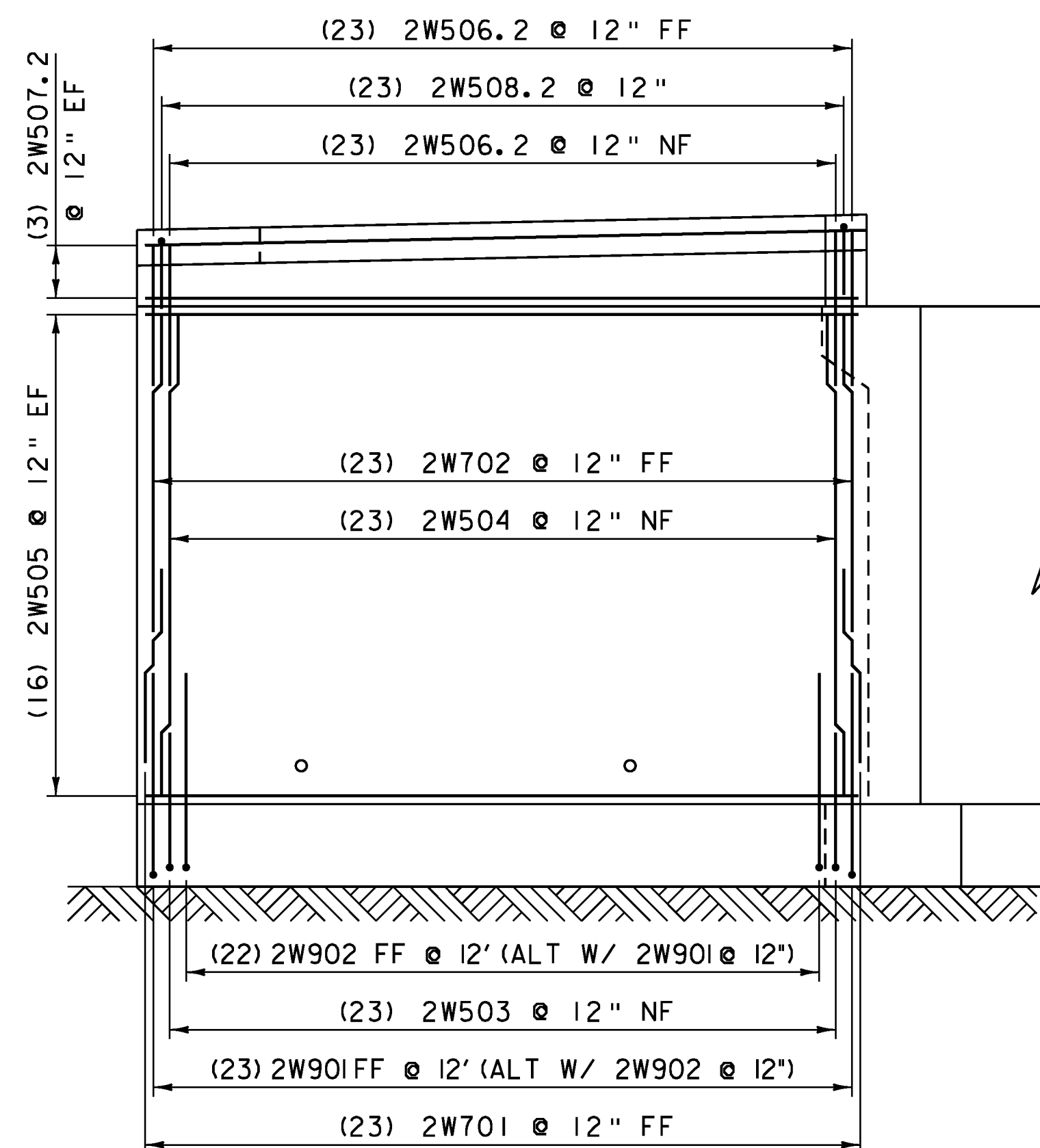


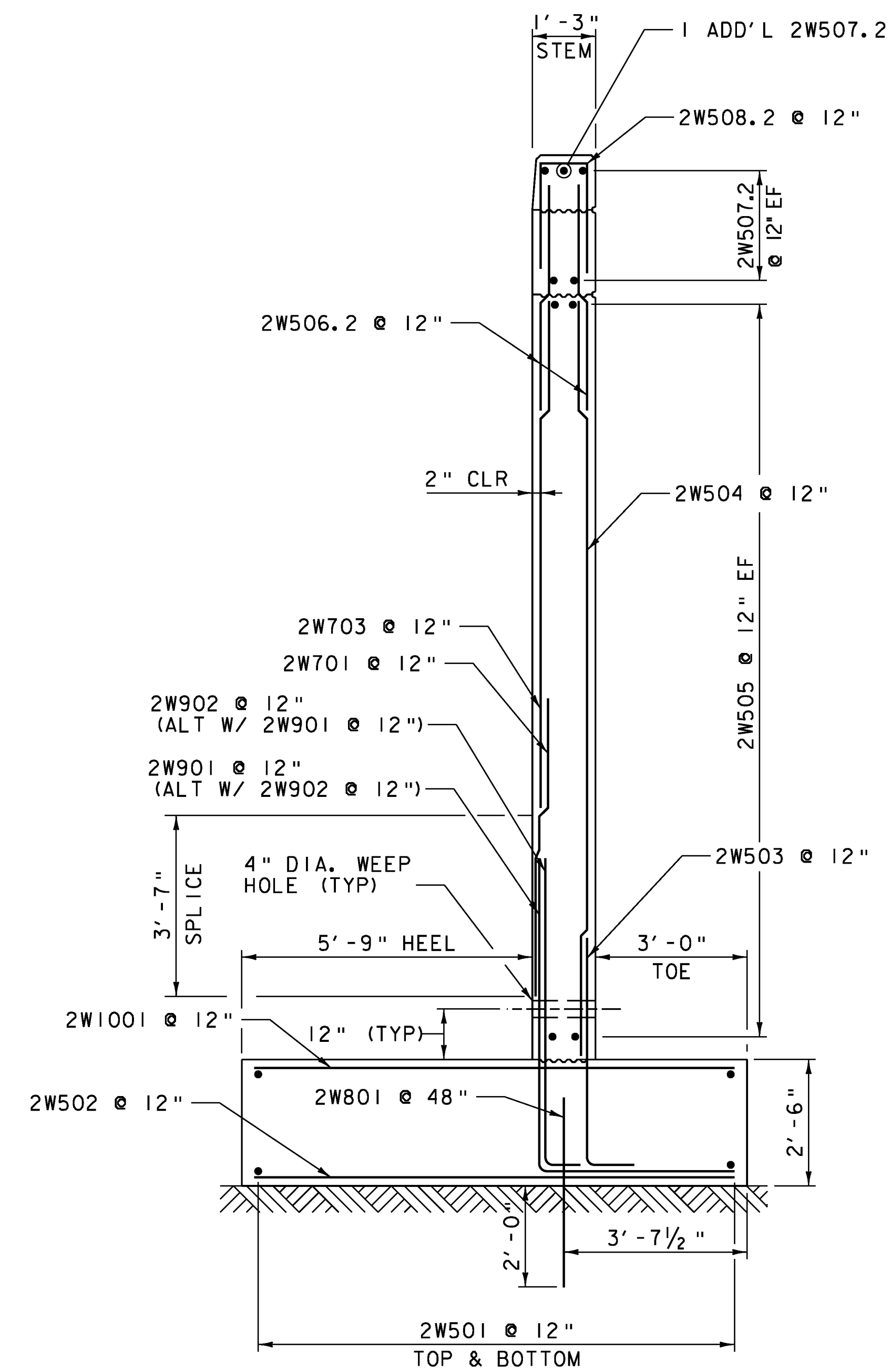
WINGWALL NO. 2 CORNER
DETAIL BELOW SEAT

SCALE 1/2" = 1'-0"



WW2 ELEVATION

SCALE 1/4" = 1'-0"



WINGWALL NO. 2 TYPICAL

SCALE 1/2" = 1'-0"

NOTE:

- NF = NEAR FACE
- FF = FAR FACE
- EF = EACH FACE
- ▲ = CUT TO FIT IN FIELD

3" CLEAR, UNLESS OTHERWISE SPECIFIED ON THE PLANS.

2'-2" BAR LAP UNLESS SPECIFIED ON THE PLANS.

PROJECT NAME: BRATTLEBORO

PROJECT NUMBER: BRO 1442(35)

FILE NAME: z10j062subl.dgn

PROJECT LEADER: S.E. BURBANK

DESIGNED BY: C.J. HAKY

WINGWALL NO. 2 ELEVATION & DETAILS

PLOT DATE: 10/14/2013

DRAWN BY: E.A. FIALA

CHECKED BY: S.E. BURBANK

SHEET 43 OF 68