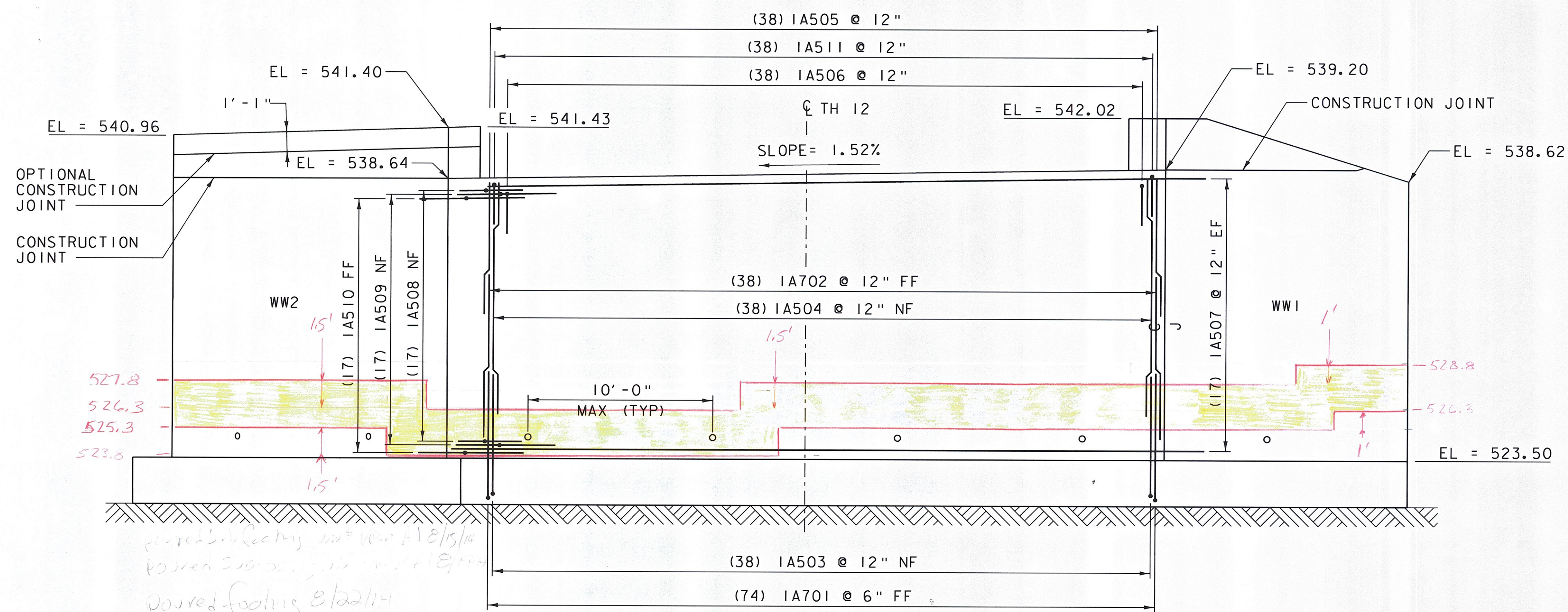
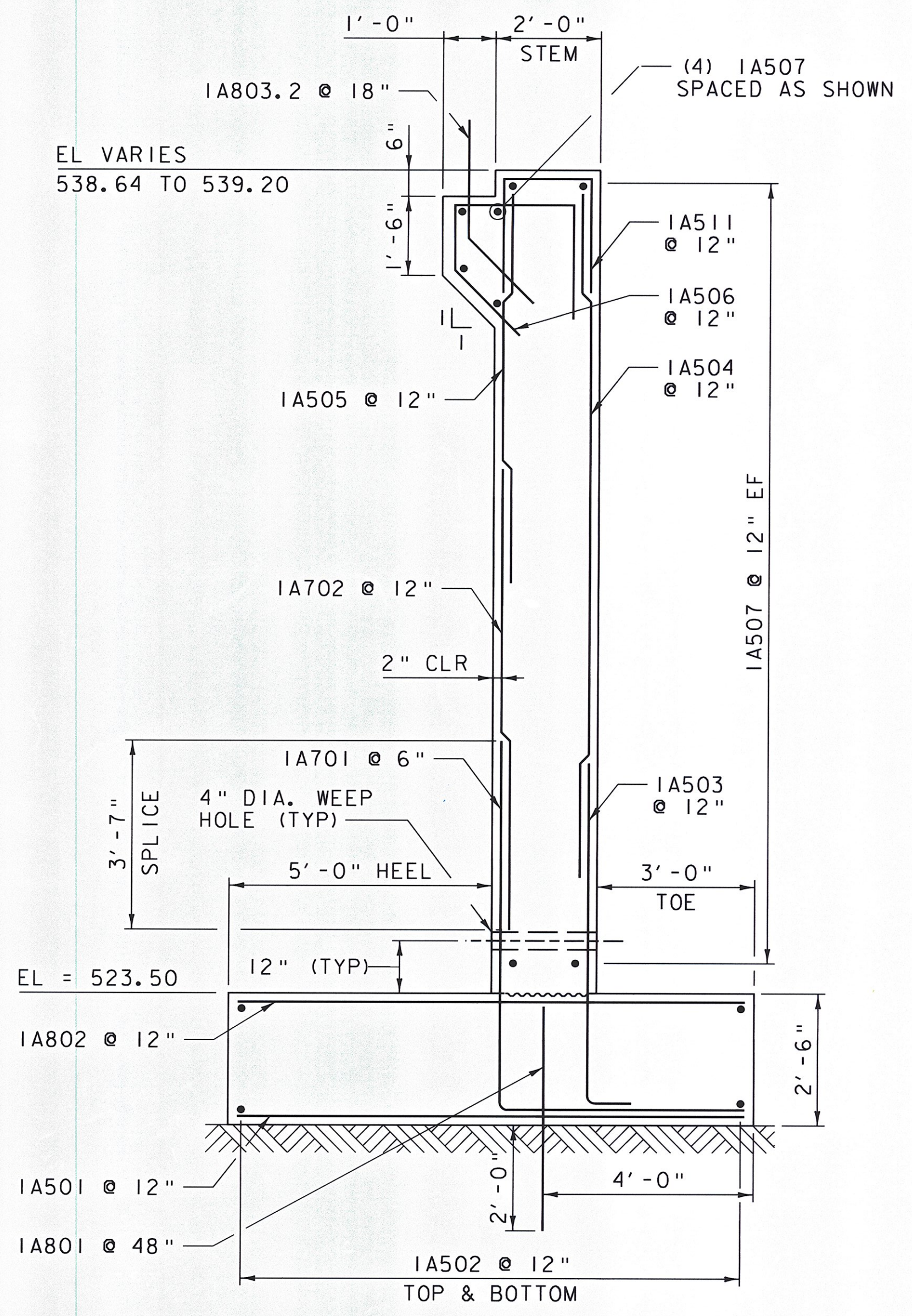


ABUTMENT NO. 1 PLAN VIEW
SCALE 1/4" = 1'-0"



ABUTMENT NO. 1 ELEVATION
SCALE 1/4" = 1'-0"



ABUTMENT NO. 1 TYPICAL
SCALE 1/2" = 1'-0"

NOTE:
NF = NEAR FACE
FF = FAR FACE
EF = EACH FACE
▲ = CUT TO FIT IN FIELD
3" CLEAR, UNLESS OTHERWISE SPECIFIED ON THE PLANS.
2'-2" BAR LAP UNLESS SPECIFIED ON THE PLANS.

PROJECT NAME:	BRATTLEBORO	Footings - As Built
PROJECT NUMBER:	BRO 1442(35)	
FILE NAME:	z10j062sub1.dgn	PLOT DATE: 10/14/2013
PROJECT LEADER:	S.E. BURBANK	DRAWN BY: D.A. GINGRAS
DESIGNED BY:	C.J. HAKE	CHECKED BY: S.E. BURBANK
ABUTMENT NO. 1 PLAN & ELEVATION		SHEET 41 OF 68

