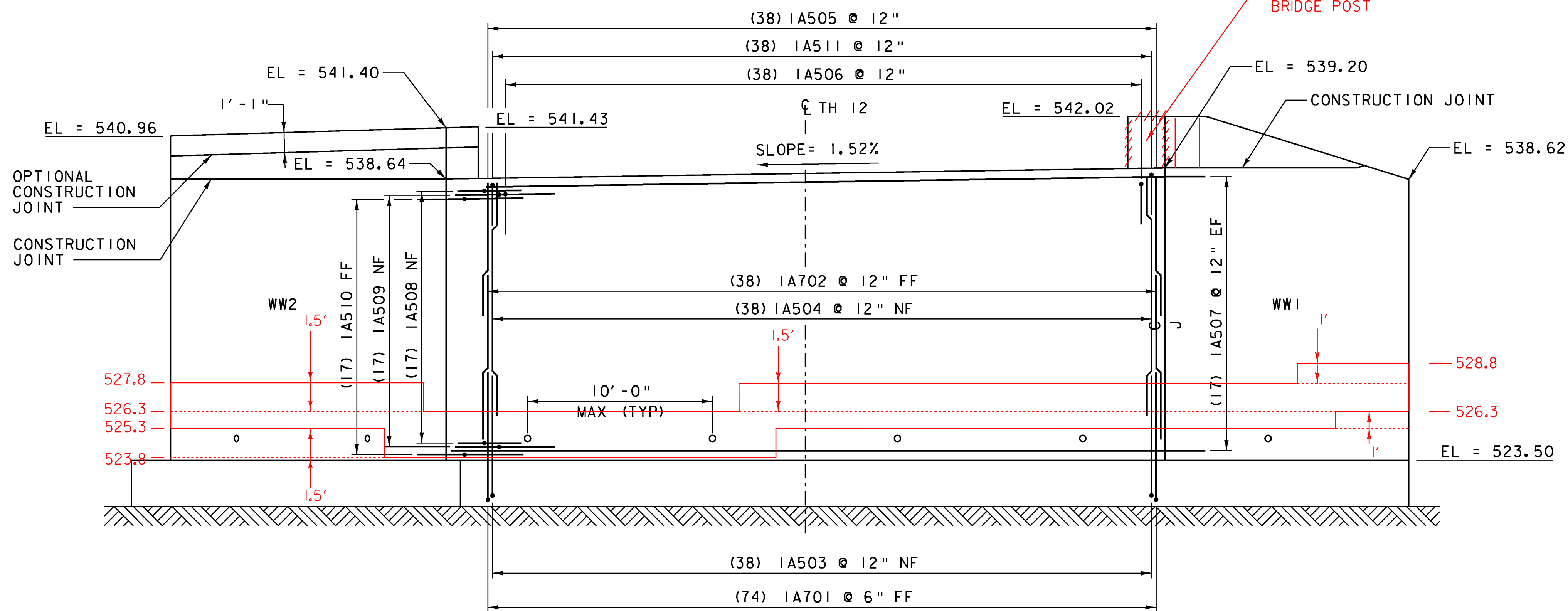
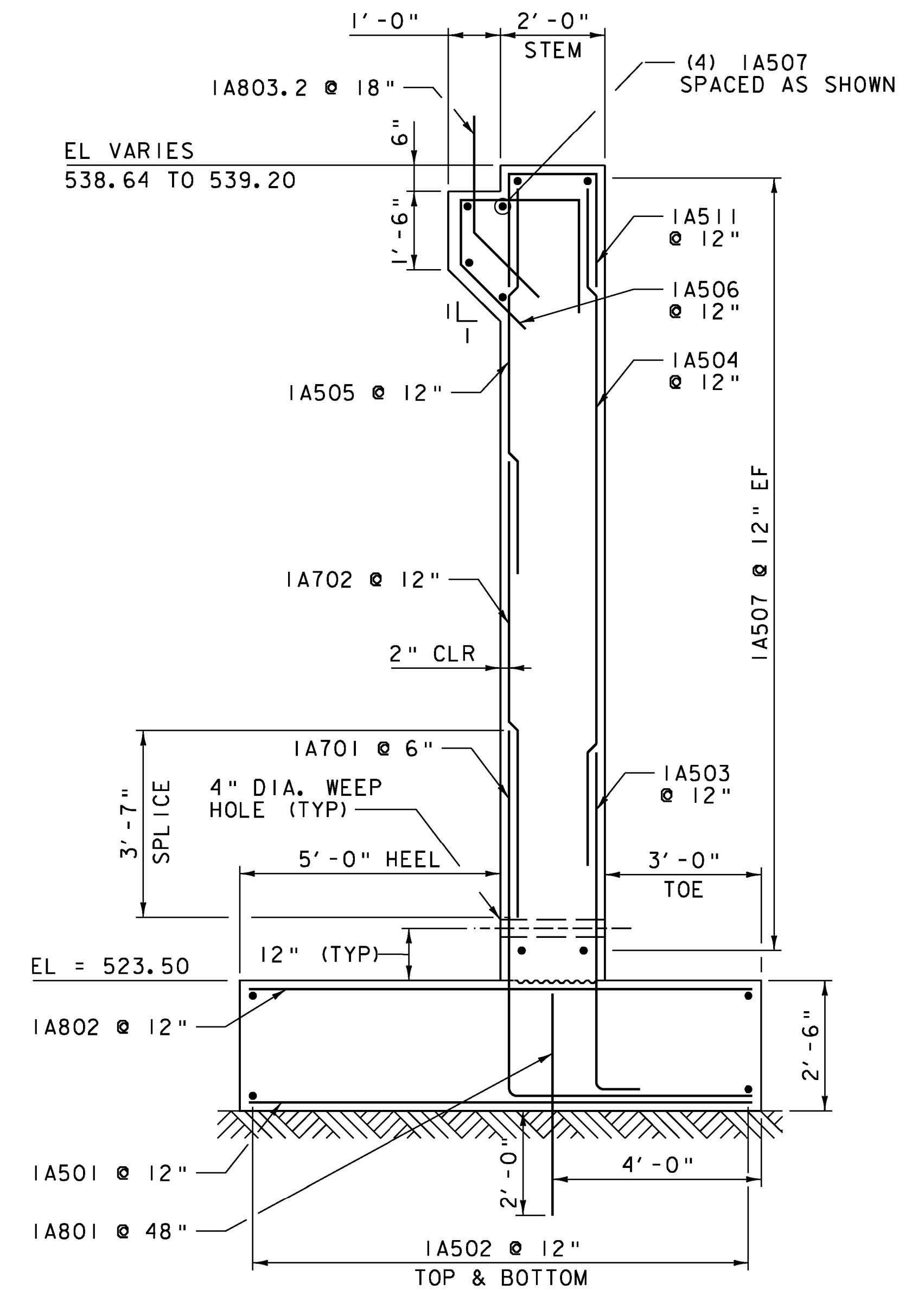


ABUTMENT NO. 1 PLAN VIEW
SCALE 1/4" = 1'-0"



ABUTMENT NO. 1 ELEVATION
SCALE 1/4" = 1'-0"



ABUTMENT NO. 1 TYPICAL
SCALE 1/2" = 1'-0"

NOTE:
NF = NEAR FACE
FF = FAR FACE
EF = EACH FACE
▲ = CUT TO FIT IN FIELD
3" CLEAR, UNLESS OTHERWISE SPECIFIED ON THE PLANS.
2'-2" BAR LAP UNLESS SPECIFIED ON THE PLANS.

PROJECT NAME: BRATTLEBORO
PROJECT NUMBER: BRO 1442(35)

FILE NAME: z10j062sub1.dgn
PROJECT LEADER: S.E. BURBANK
DESIGNED BY: C.J. HAKEY
ABUTMENT NO. 1 PLAN & ELEVATION

PLOT DATE: 10/14/2013
DRAWN BY: D.A. GINGRAS
CHECKED BY: S.E. BURBANK
SHEET 41 OF 68

