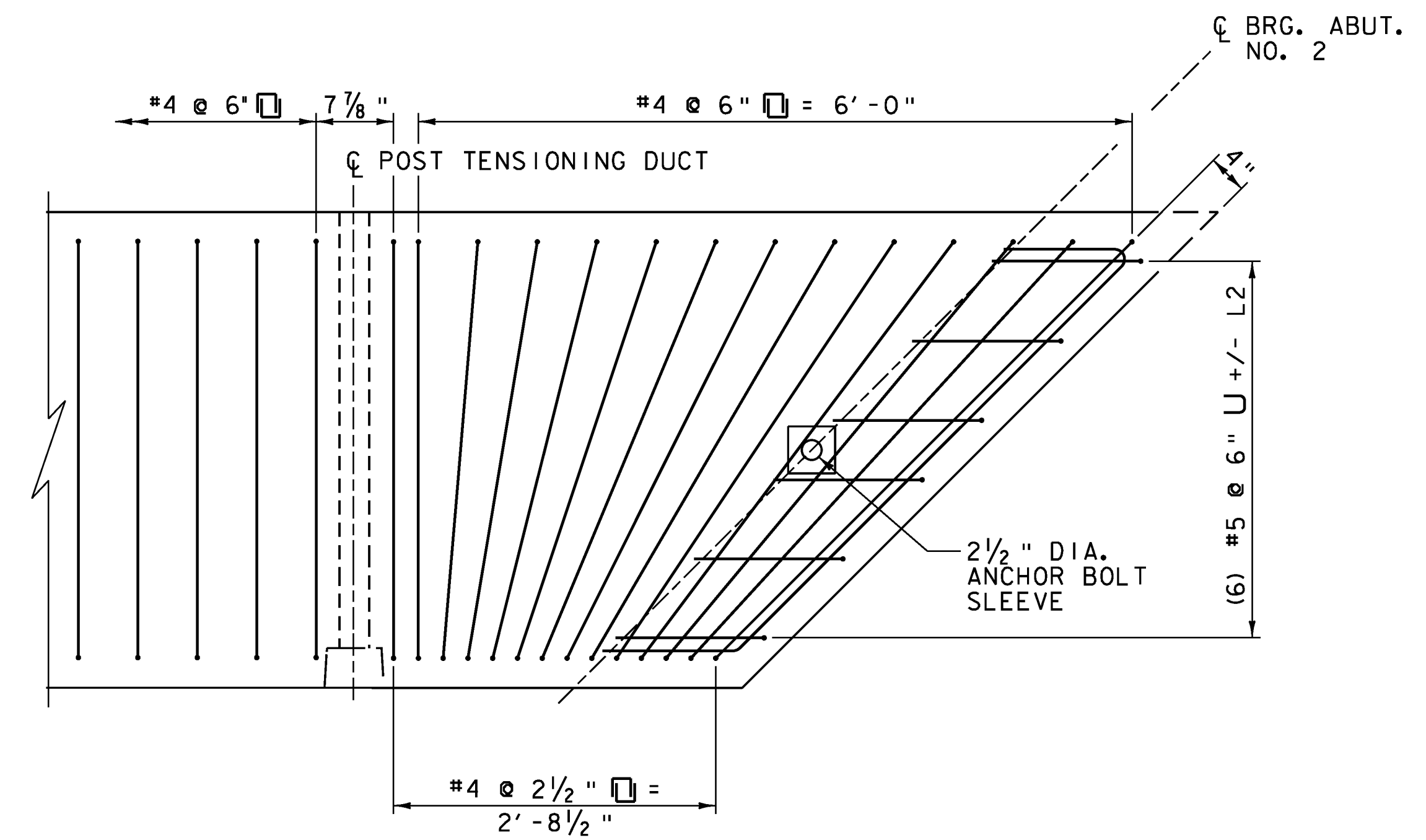


SOUTH END OF BEAM NO. 3, 4, & 5 -
 REINFORCING PLAN TYPE III NON-VOIDED SLAB
 SCALE 1" = 1'-0"



SOUTH END OF BEAM NO. 3, 4, & 5 -
 REINFORCING PLAN TYPE III NON-VOIDED SLAB
 SCALE 1" = 1'-0"

NOTES:

- REINFORCING STEEL SHALL MEET THE REQUIREMENTS OF SECTION 507, LEVEL II.

PROJECT NAME: BRATTLEBORO
 PROJECT NUMBER: BRO 1442(35)

FILE NAME: z10j062sup03.dgn
 PROJECT LEADER: S.E. BURBANK
 DESIGNED BY: B.M. KLINEFELTER
 NON-VOIDED SLAB DETAILS TYPE III (2 OF 2)

PLOT DATE: 10/14/2013
 DRAWN BY: E.A. FIALA
 CHECKED BY: S.E. BURBANK
 SHEET 36 OF 68