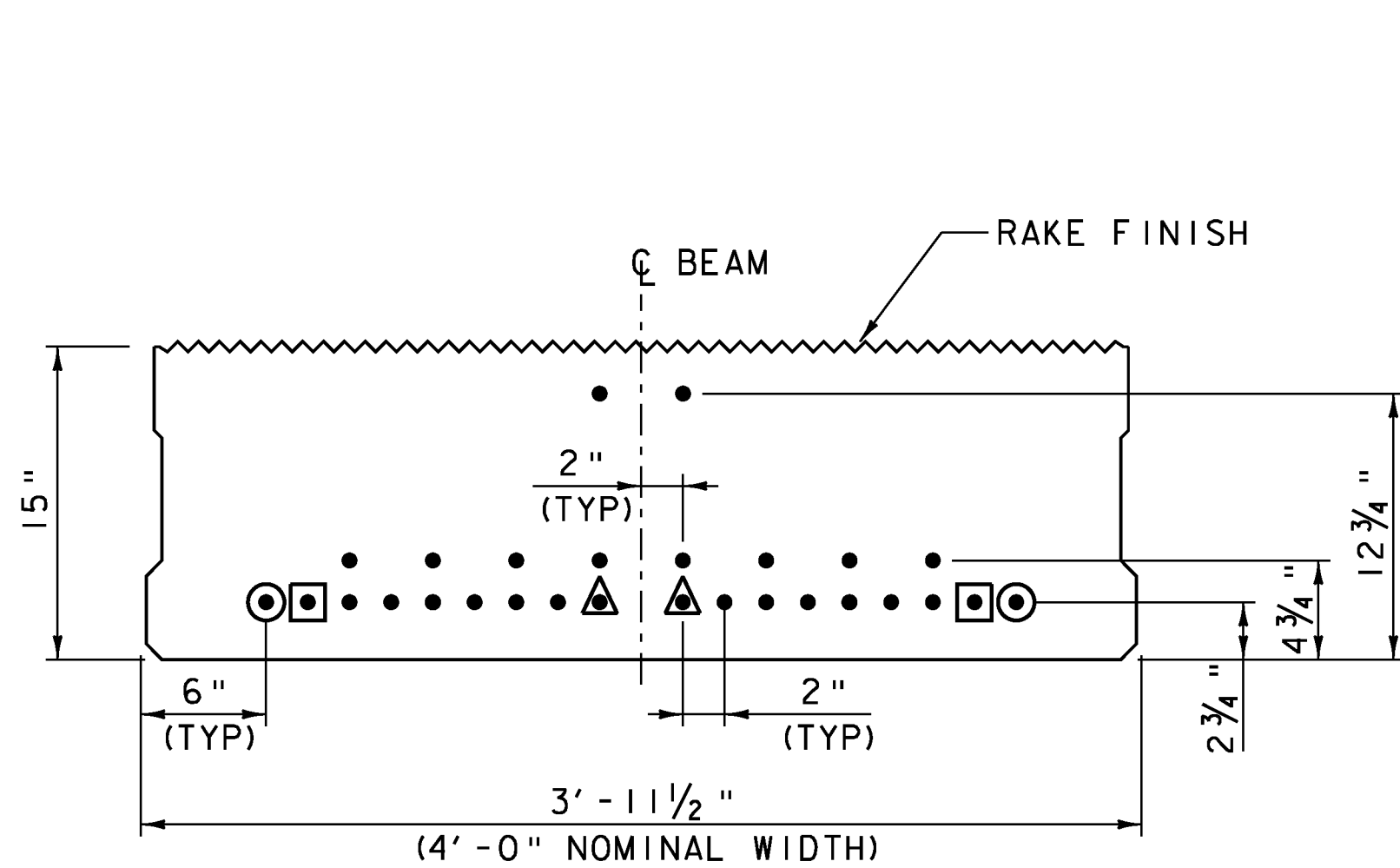


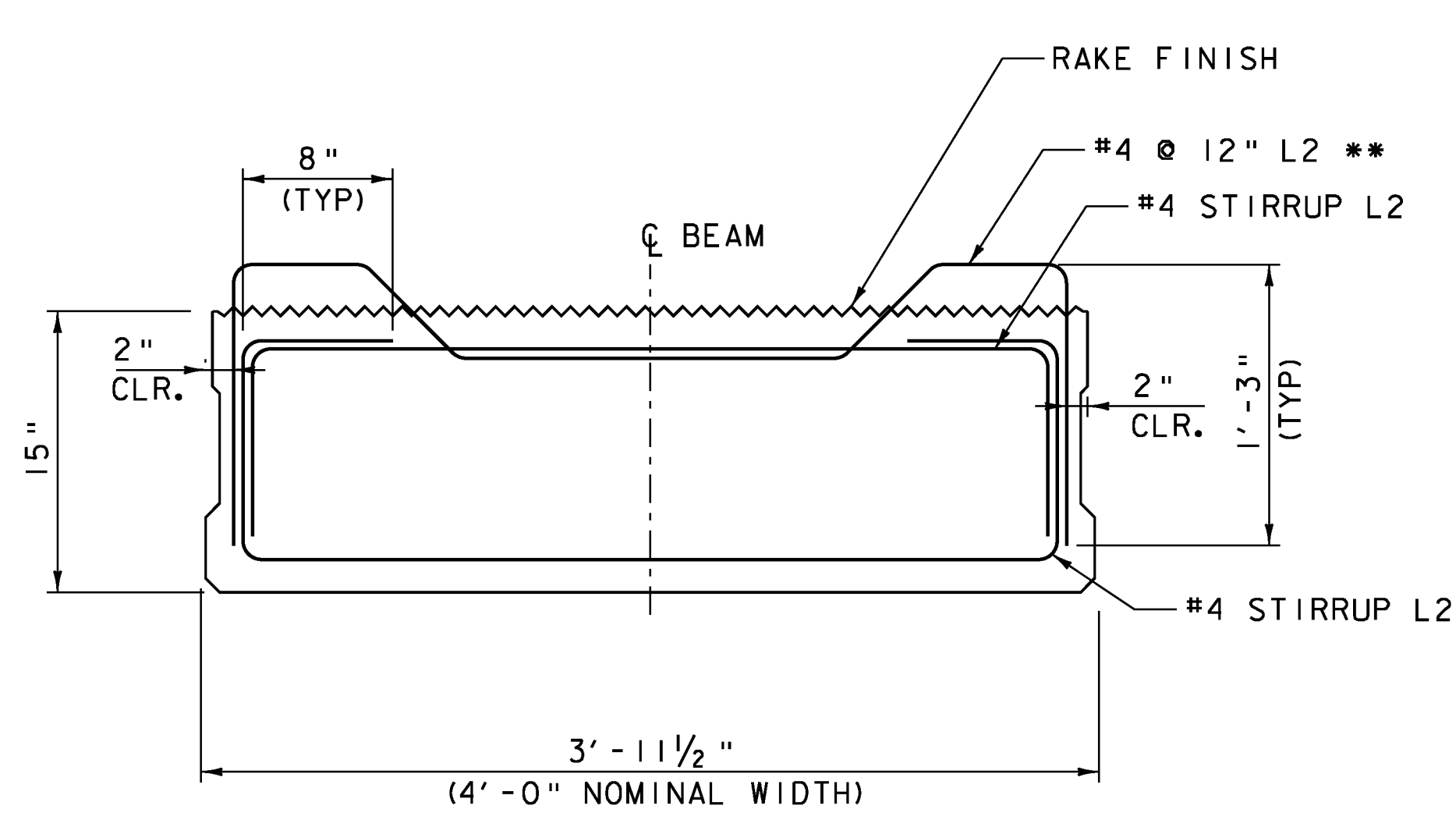
**VOIDED SLAB PLAN - TYPE III**

BEAM NO. 3, 4 AND 5  
SCALE 1/2" = 1'-0"

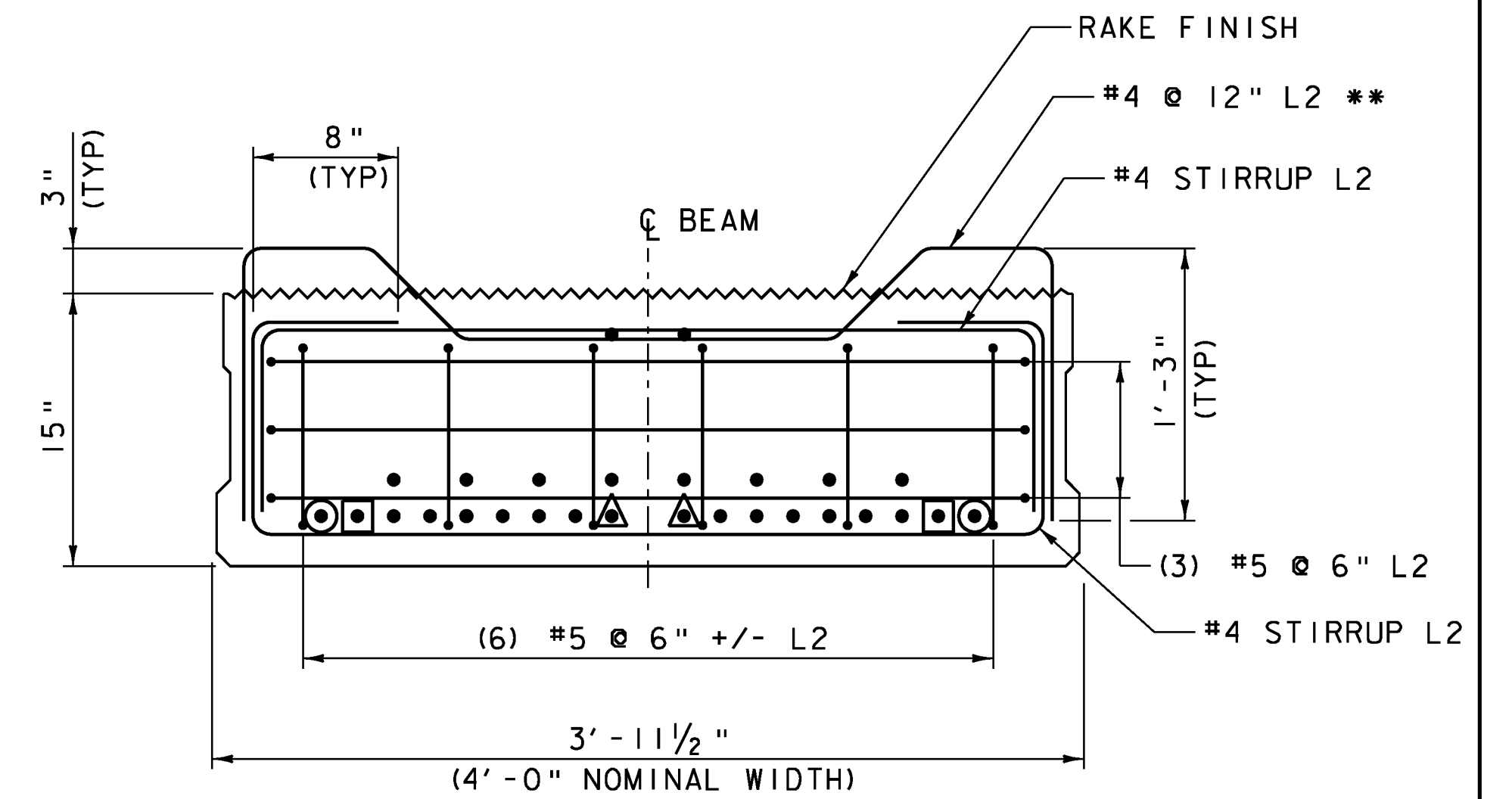


- ▲ - (2) SHIELDED AT ENDS FOR 10'-0"
- - (2) SHIELDED AT ENDS FOR 12'-0"
- ⊙ - (2) SHIELDED AT ENDS FOR 14'-0"

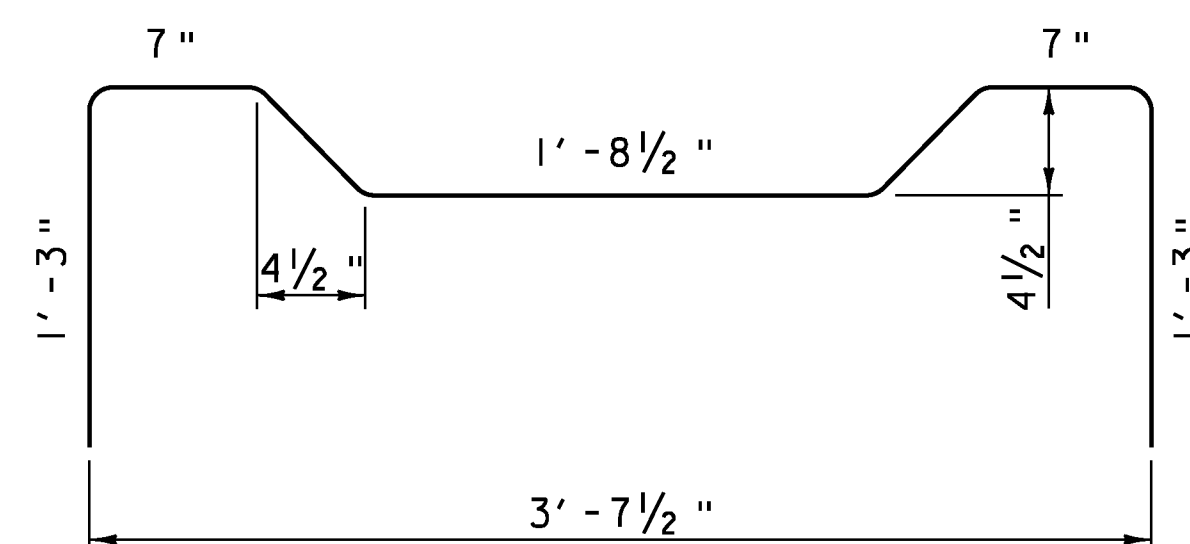
**PRESTRESSED S11-48 BEAM  
TYPICAL SECTION - STRAND LAYOUT**  
SCALE 1/2" = 1'-0"



**PRESTRESSED S11-48 BEAM  
TYPICAL SECTION - REINFORCING**  
SCALE 1/2" = 1'-0"



**PRESTRESSED S11-48 BEAM  
TYPICAL SECTION - END REINFORCING**  
SCALE 1/2" = 1'-0"



**"M" BAR \*\***  
SCALE 1/2" = 1'-0"

\*\* - FIRST "M" - BAR SHALL BE PARALLEL WITH END OF S11-48 BEAM, 2ND SHALL BE FLARED AND THIRD SHALL BE PERPENDICULAR WITH THE SIDES OF THE S11-48 BEAM. FIRST "M" - BAR SHALL BE LOCATED SO AS TO BE 3" CLEAR FROM THE ASPHALTIC PLUG JOINT. CONTRACTOR SHALL COORDINATE BETWEEN ASPHALTIC PLUG MANUFACTURER, INSTALLER AND NON-VOIDED SLAB FABRICATOR TO LOCATE "M" - BAR PROPERLY.

**NOTES:**

1. REINFORCING STEEL SHALL MEET THE REQUIREMENTS OF SECTION 507, LEVEL 11.
2. SEE NEXT SHEET FOR END OF BEAM REINFORCING AND STIRRUP SPACING.

PROJECT NAME: BRATTLEBORO  
PROJECT NUMBER: BRO 1442(35)

FILE NAME: z10j062sup03.dgn  
PROJECT LEADER: S.E. BURBANK  
DESIGNED BY: B.M. KLINEFELTER  
NON-VOIDED SLAB DETAILS TYPE III (1 OF 2)

PLOT DATE: 10/14/2013  
DRAWN BY: E.A. FIALA  
CHECKED BY: S.E. BURBANK  
SHEET 35 OF 68