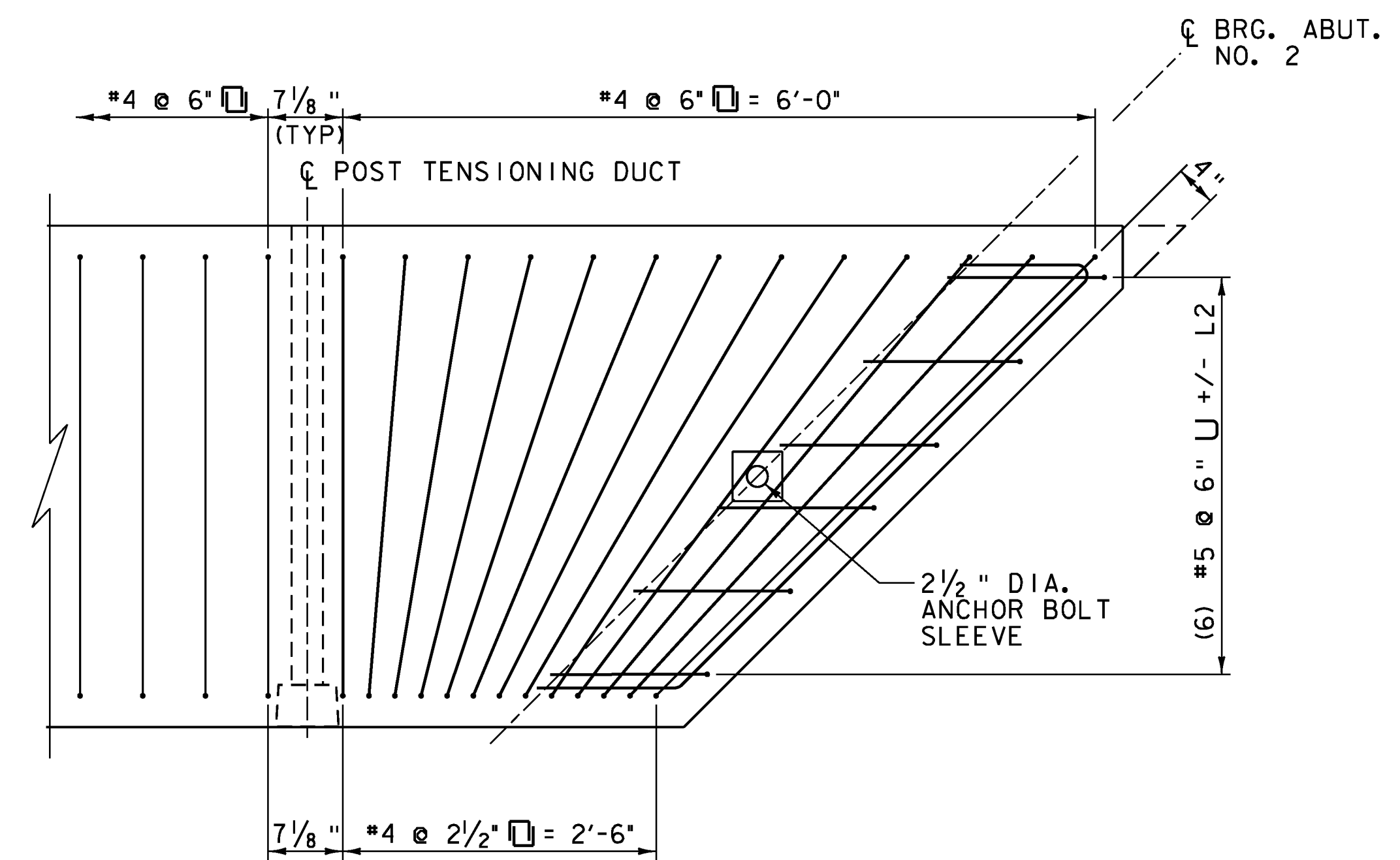


SOUTH END OF BEAM NO. 2 - REINFORCING  
 PLAN TYPE II NON-VOIDED SLAB  
 (NORTH END OF BEAM NO. 6 SAME BY 180° ROTATION)  
 SCALE 1" = 1'-0"



NORTH END OF BEAM NO. 2 - REINFORCING  
 PLAN TYPE II NON-VOIDED SLAB  
 (NORTH END OF BEAM NO. 6 SAME BY 180° ROTATION)  
 SCALE 1" = 1'-0"

NOTES:

- REINFORCING STEEL SHALL MEET THE REQUIREMENTS OF SECTION 507, LEVEL II.

PROJECT NAME: BRATTLEBORO	PLOT DATE: 10/14/2013
PROJECT NUMBER: BRO 1442(35)	DRAWN BY: E.A. FIALA
FILE NAME: z10J062sup02.dgn	CHECKED BY: S.E. BURBANK
PROJECT LEADER: S.E. BURBANK	DESIGNED BY: B.M. KLINEFELTER
NON-VOIDED SLAB DETAILS TYPE II (2 OF 2)	SHEET 34 OF 68