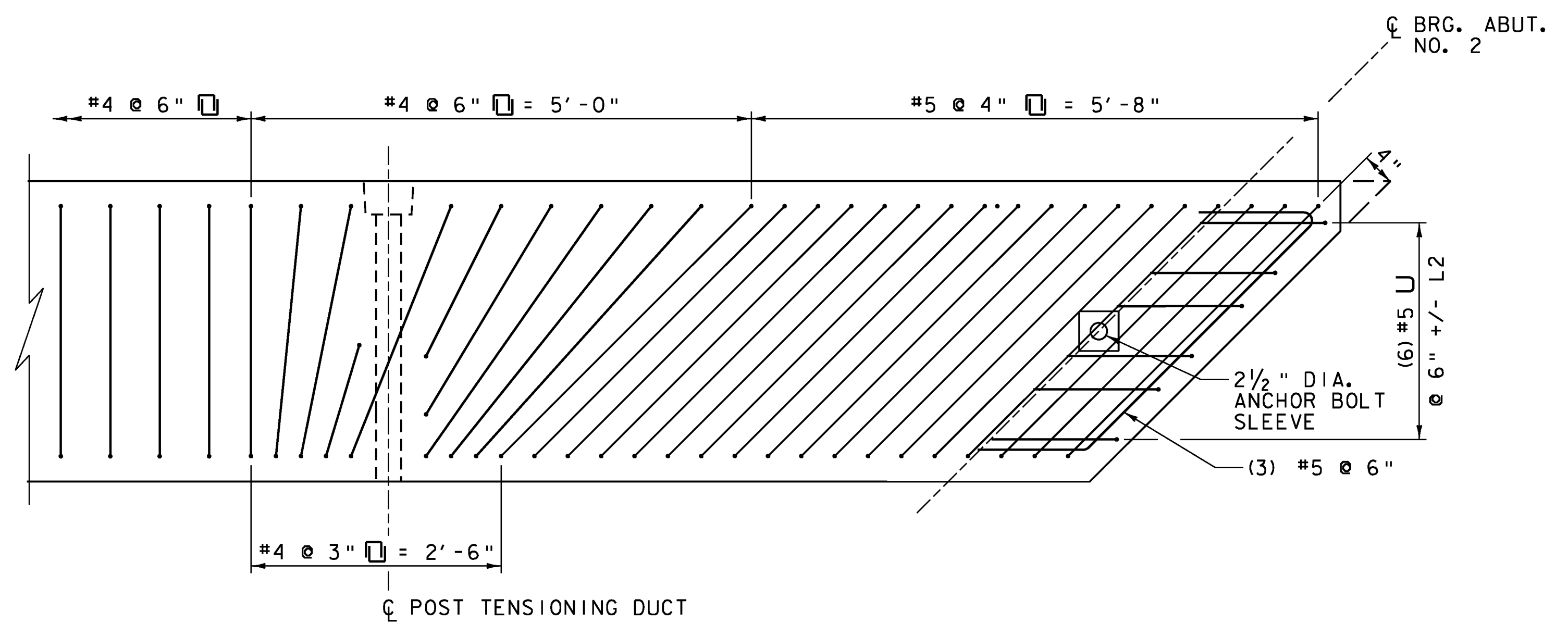


SOUTH END OF BEAM NO. 1 - REINFORCING
 PLAN TYPE I NON-VOIDED SLAB
 (NORTH END OF BEAM NO. 7 SAME BY 180° ROTATION)
 SCALE 1" = 1'-0"



NORTH END OF BEAM NO. 1 - REINFORCING
 PLAN TYPE I NON-VOIDED SLAB
 (SOUTH END OF BEAM NO. 7 SAME BY 180° ROTATION)
 SCALE 1" = 1'-0"

- NOTES:
- REINFORCING STEEL SHALL MEET WITH THE REQUIREMENTS OF SECTION 507, LEVEL 11.

PROJECT NAME: BRATTLEBORO	PROJECT NUMBER: BRO 1442(35)
FILE NAME: z10j062sup01.dgn	PLOT DATE: 10/14/2013
PROJECT LEADER: S.E. BURBANK	DRAWN BY: E.A. FIALA
DESIGNED BY: B.M. KLINEFELTER	CHECKED BY: S.E. BURBANK
NON-VOIDED SLAB DETAILS TYPE 1 (2 OF 2) SHEET 32 OF 68	

