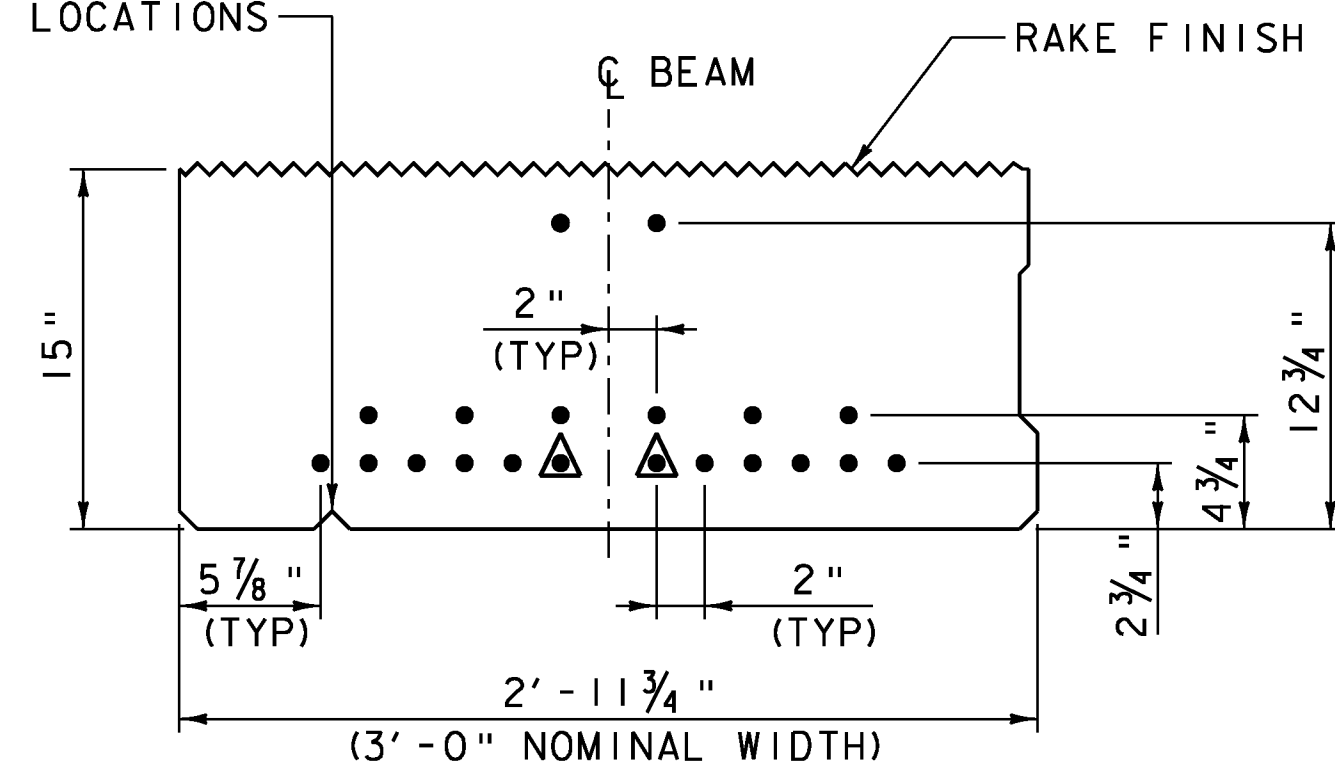


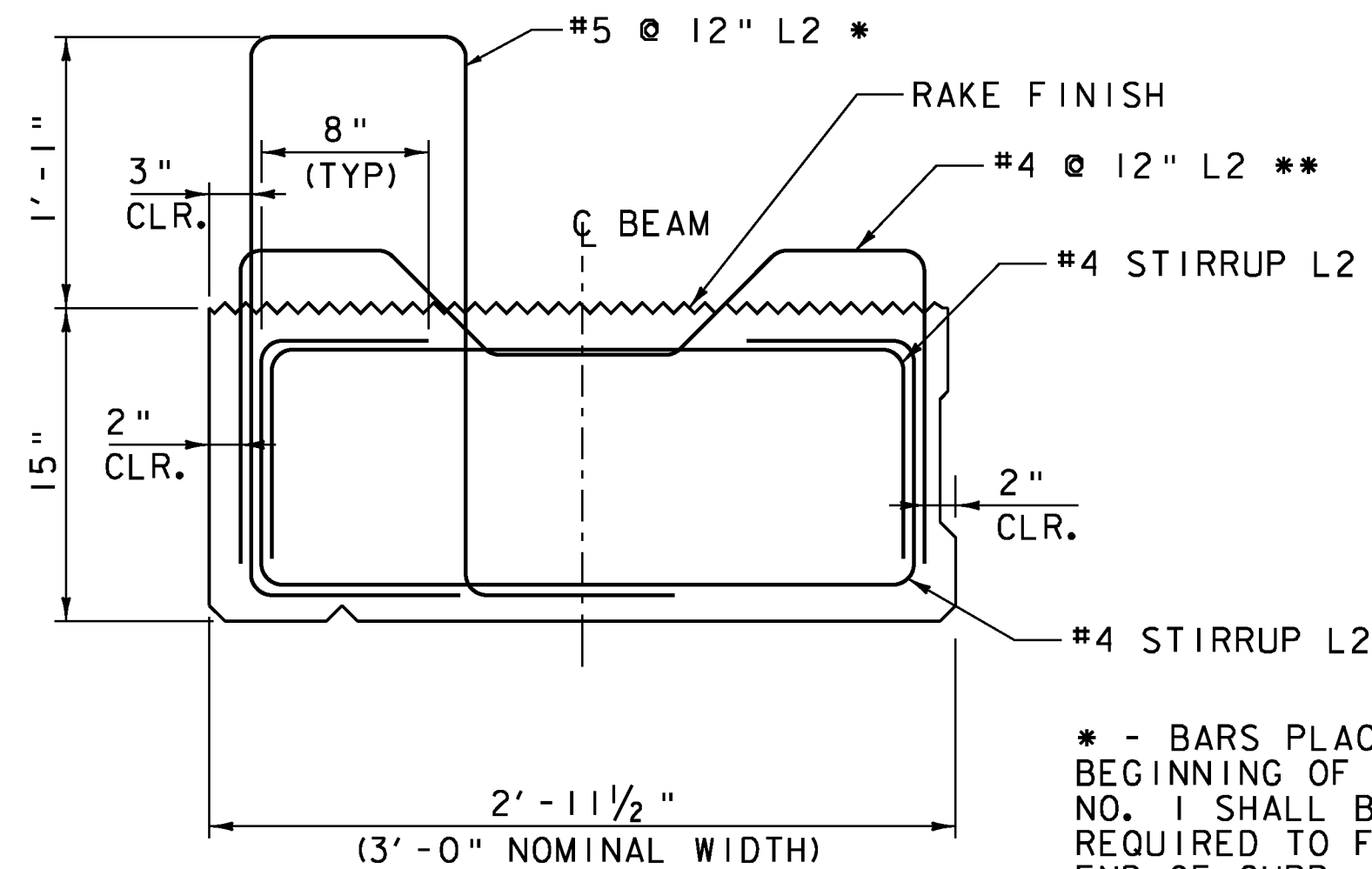
NON-VOIDED SLAB PLAN - TYPE I
 BEAM NO. 1 (BEAM NO. 7 SAME BY 180° ROTATION)
 SCALE 1/2" = 1'-0"

DRIP NOTCH
 SEE SD-502.00 FOR
 DETAILS AND LOCATIONS



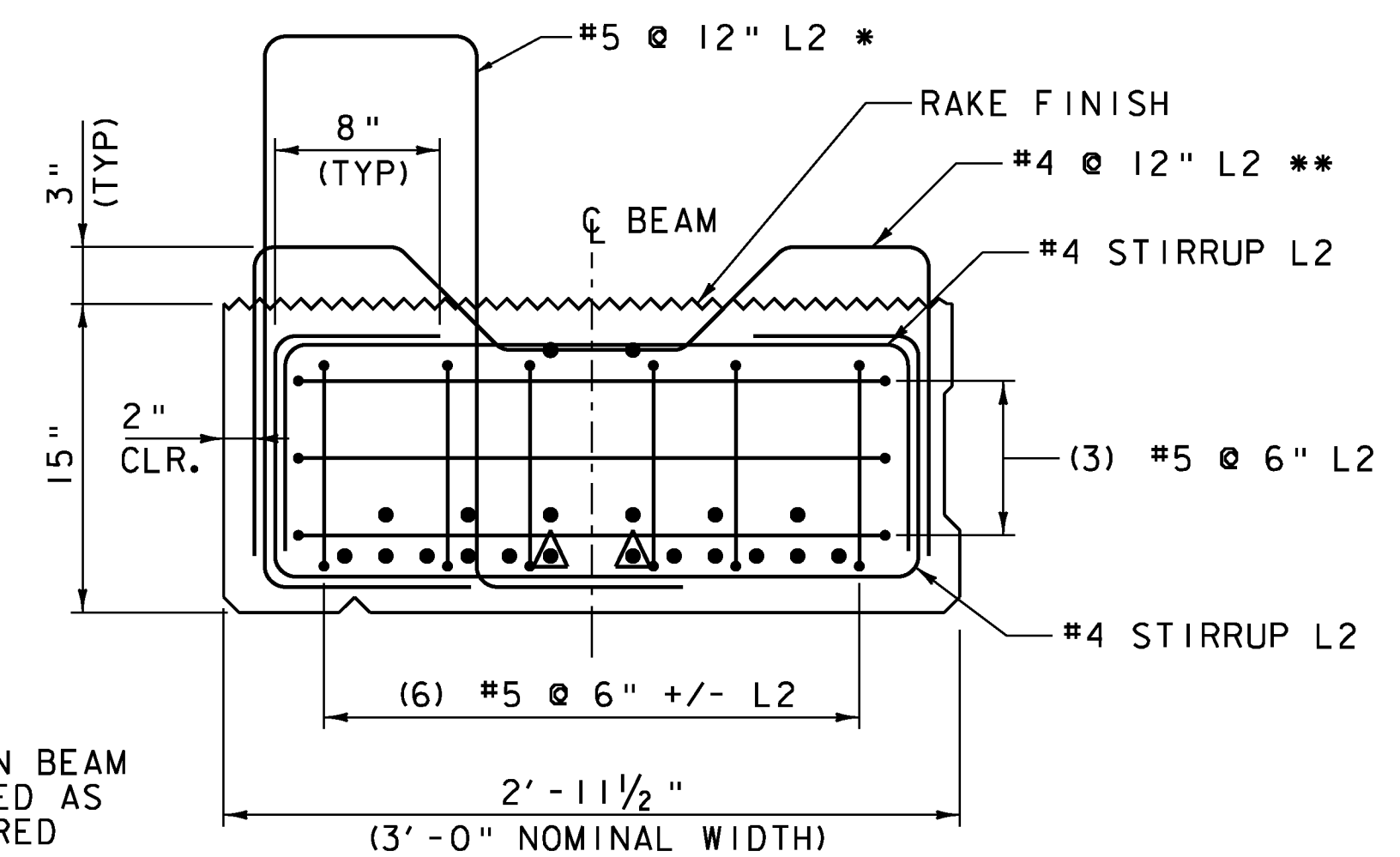
PRESTRESSED S11-36 BEAM
 TYPICAL SECTION - STRAND LAYOUT
 SCALE 1/2" = 1'-0"

▲ - (2) SHIELDED AT ENDS FOR 4'-0"

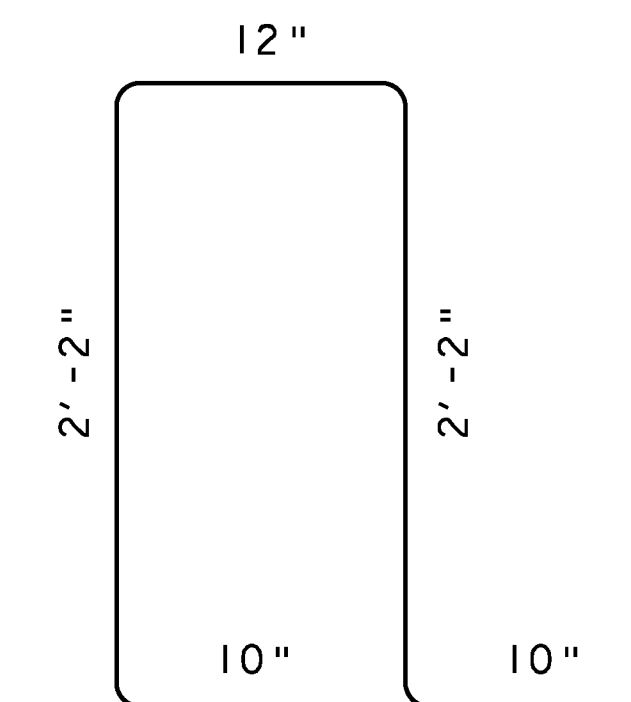


PRESTRESSED S11-36 BEAM
 TYPICAL SECTION - REINFORCING
 SCALE 1/2" = 1'-0"

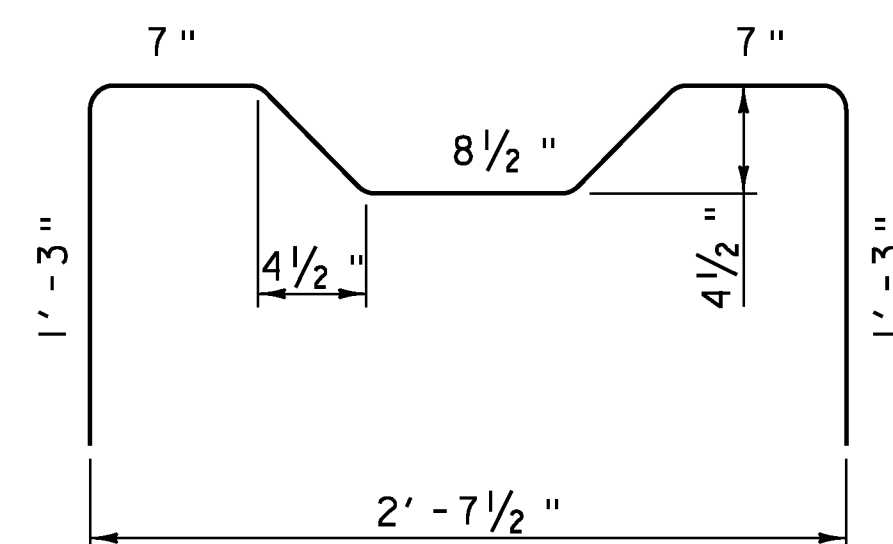
* - BARS PLACED AT
 BEGINNING OF CURB ON BEAM
 NO. 1 SHALL BE TURNED AS
 REQUIRED TO FIT FLARED
 END OF CURB



PRESTRESSED S11-36 BEAM
 TYPICAL SECTION - END REINFORCEMENT
 SCALE 1/2" = 1'-0"



CURB BAR
 SCALE 1/2" = 1'-0"



"M" BAR **
 SCALE 1/2" = 1'-0"

** - FIRST "M" - BAR SHALL BE PARALLEL WITH END OF S11-36 BEAM,
 2ND SHALL BE FLARED AND THIRD SHALL BE PERPENDICULAR WITH
 THE SIDES OF THE S11-36 BEAM. FIRST "M" - BAR SHALL BE LOCATED
 SO AS TO BE 3" CLEAR FROM THE ASPHALTIC PLUG JOINT. CONTRACTOR
 SHALL COORDINATE BETWEEN ASPHALTIC PLUG MANUFACTURER, INSTALLER
 AND NON-VOIDED SLAB FABRICATOR TO LOCATE "M" - BAR PROPERLY.

NOTES:

1. REINFORCING STEEL SHALL MEET THE REQUIREMENTS OF SECTION 507, LEVEL 11.
2. SEE NEXT SHEET FOR END OF BEAM REINFORCING AND STIRRUP SPACING.

PROJECT NAME: BRATTLEBORO
 PROJECT NUMBER: BRO 1442(35)

FILE NAME: z10j062sup01.dgn PLOT DATE: 10/14/2013
 PROJECT LEADER: S.E. BURBANK DRAWN BY: E.A. FIALA
 DESIGNED BY: B.M. KLINEFELTER CHECKED BY: S.E. BURBANK
 NON-VOIDED SLAB DETAILS TYPE I (1 OF 2) SHEET 31 OF 68