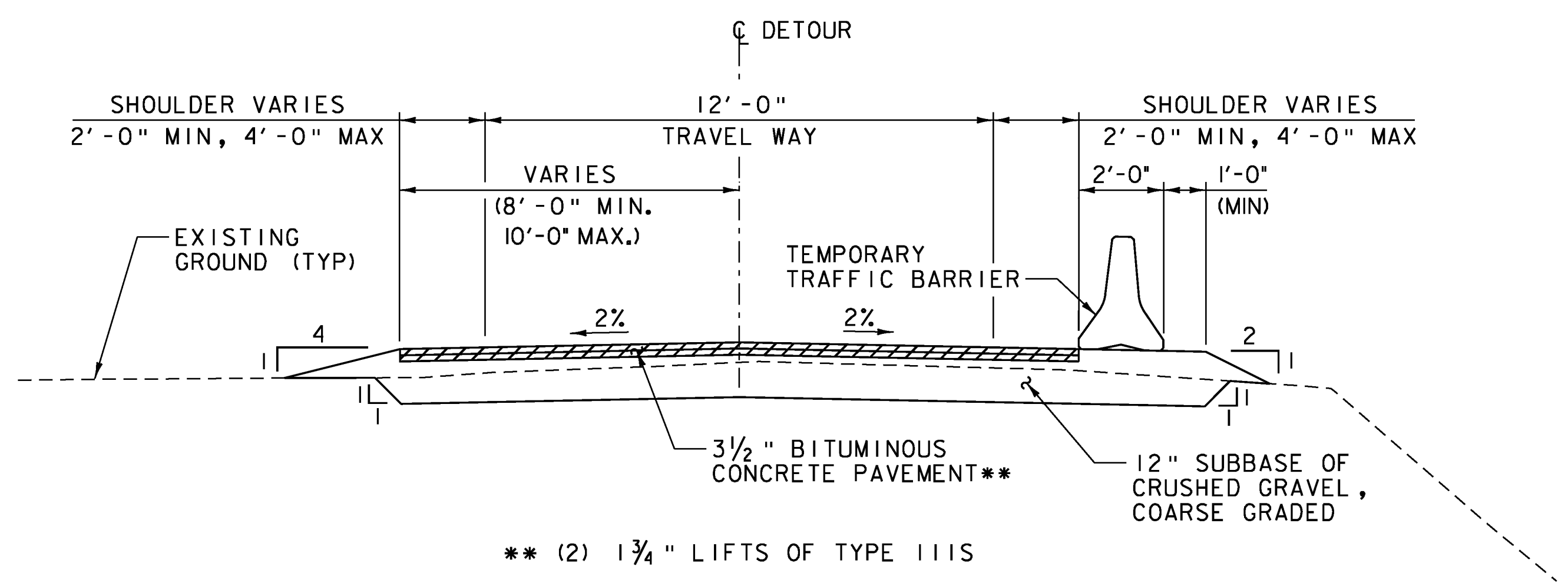


TYPICAL ROADWAY SECTION
SCALE 3/8" = 1'-0"

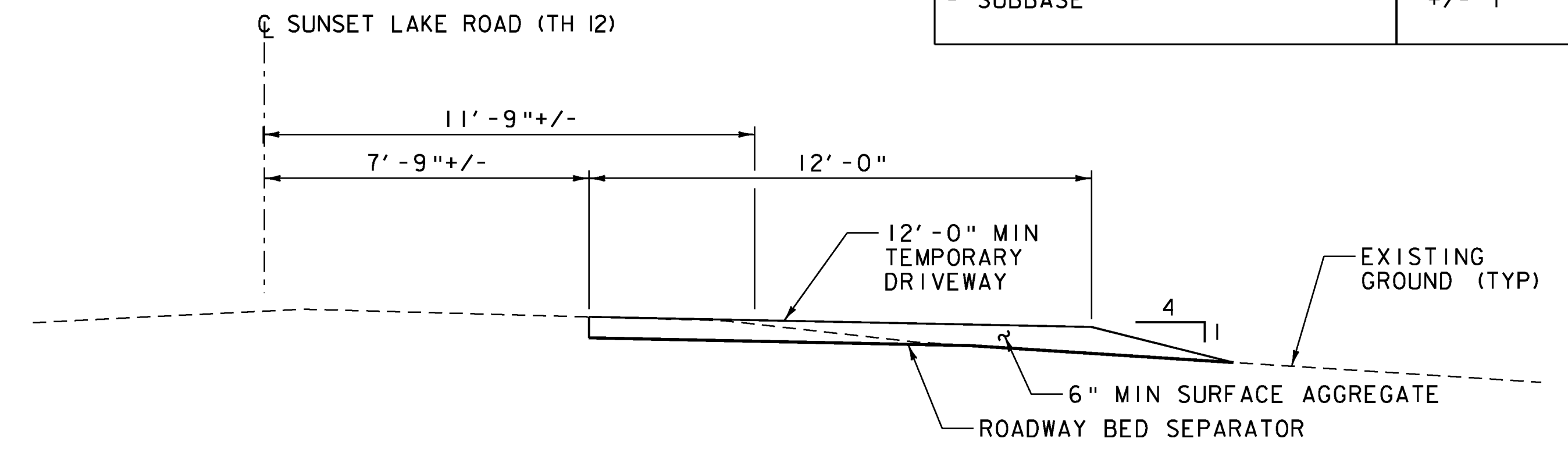
MATERIAL TOLERANCES

SURFACE	
- PAVEMENT (TOTAL THICKNESS)	+/- 1/4"
- SUBBASE	+/- 1"



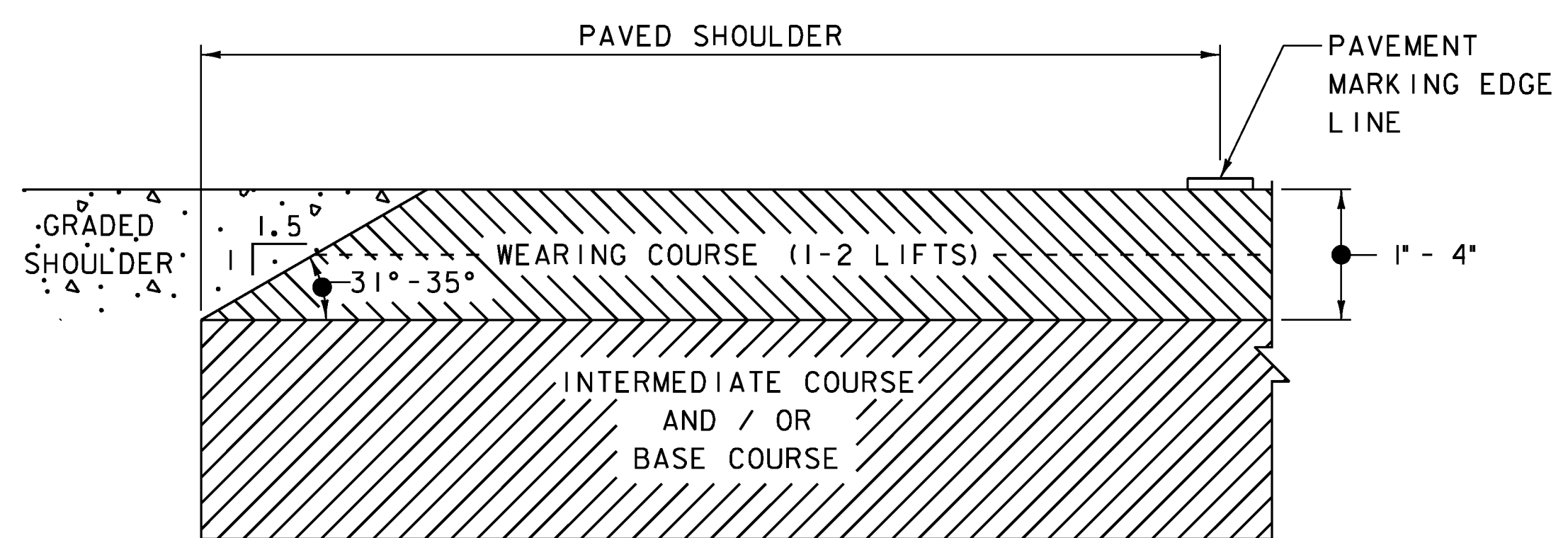
NOTE: ALL WORK ASSOCIATED WITH THE INSTALLATION AND REMOVAL OF THE DETOUR WILL BE INCLUDED IN THE UNIT PRICE BID FOR CONTRACT ITEM 528.10.

TYPICAL ONE-WAY DETOUR ROADWAY SECTION
SCALE 3/8" = 1'-0"



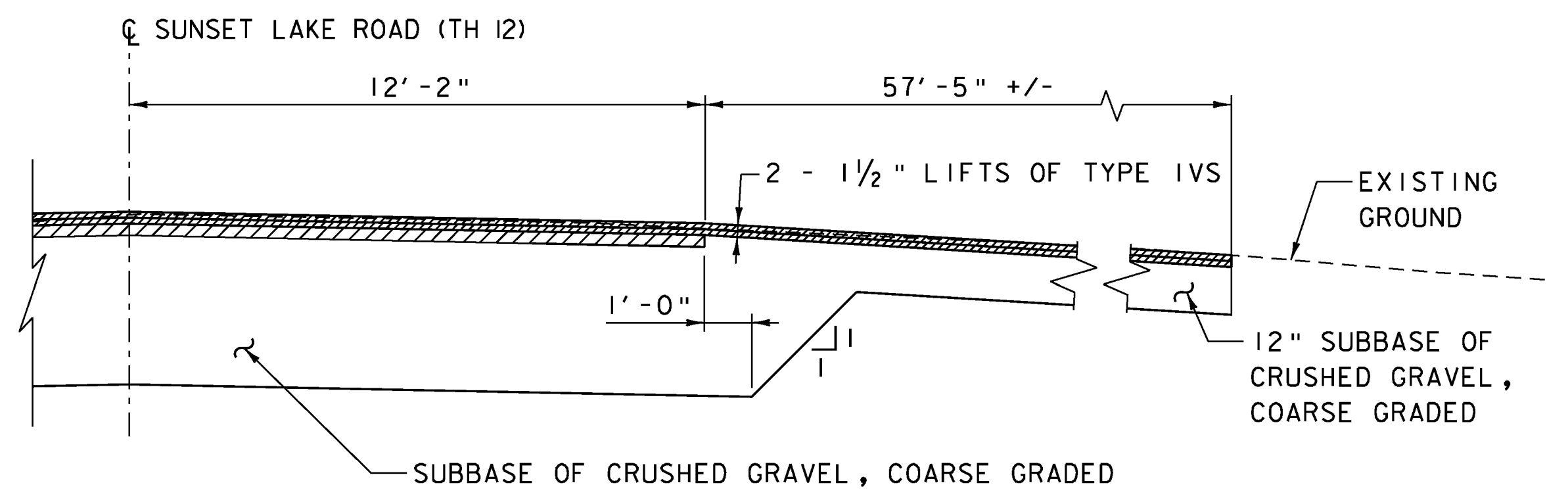
NOTE: ALL WORK ASSOCIATED WITH THE INSTALLATION AND REMOVAL OF THE TEMPORARY DRIVEWAY WILL BE INCLUDED IN THE UNIT PRICE BID FOR CONTRACT ITEM 528.10.

TYPICAL TEMPORARY DRIVEWAY SECTION
SCALE 3/8" = 1'-0"



NOTE: COST FOR FORMING AND COMPACTING SAFETY EDGE SHALL BE INCIDENTAL TO ITEM 900.680, "SPECIAL PROVISION (BITUMINOUS CONCRETE PAVEMENT, SMALL QUANTITY)".

SAFETY EDGE DETAIL
NOT TO SCALE



NOTE: SEE TYPICAL ROADWAY SECTION FOR INFORMATION NOT SHOWN.

TYPICAL DRIVEWAY SECTION
SCALE 3/8" = 1'-0"

PROJECT NAME: BRATTLEBORO	PLOT DATE: 10/14/2013
PROJECT NUMBER: BRO 1442(35)	DRAWN BY: B.J. MASSE
FILE NAME: z10j062+yp.dgn	CHECKED BY: S.E. BURBANK
PROJECT LEADER: S.E. BURBANK	SHEET 4 OF 68
DESIGNED BY: S.E. BURBANK	
TYPICAL ROADWAY SECTIONS	

