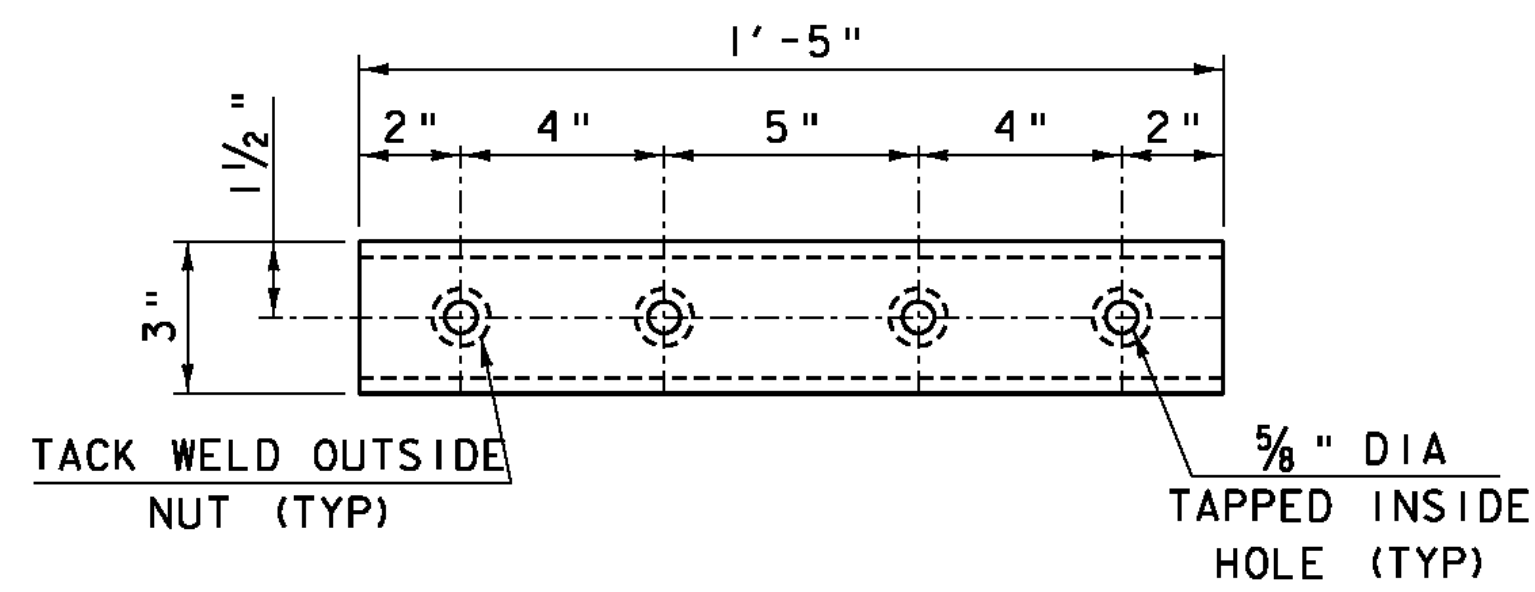


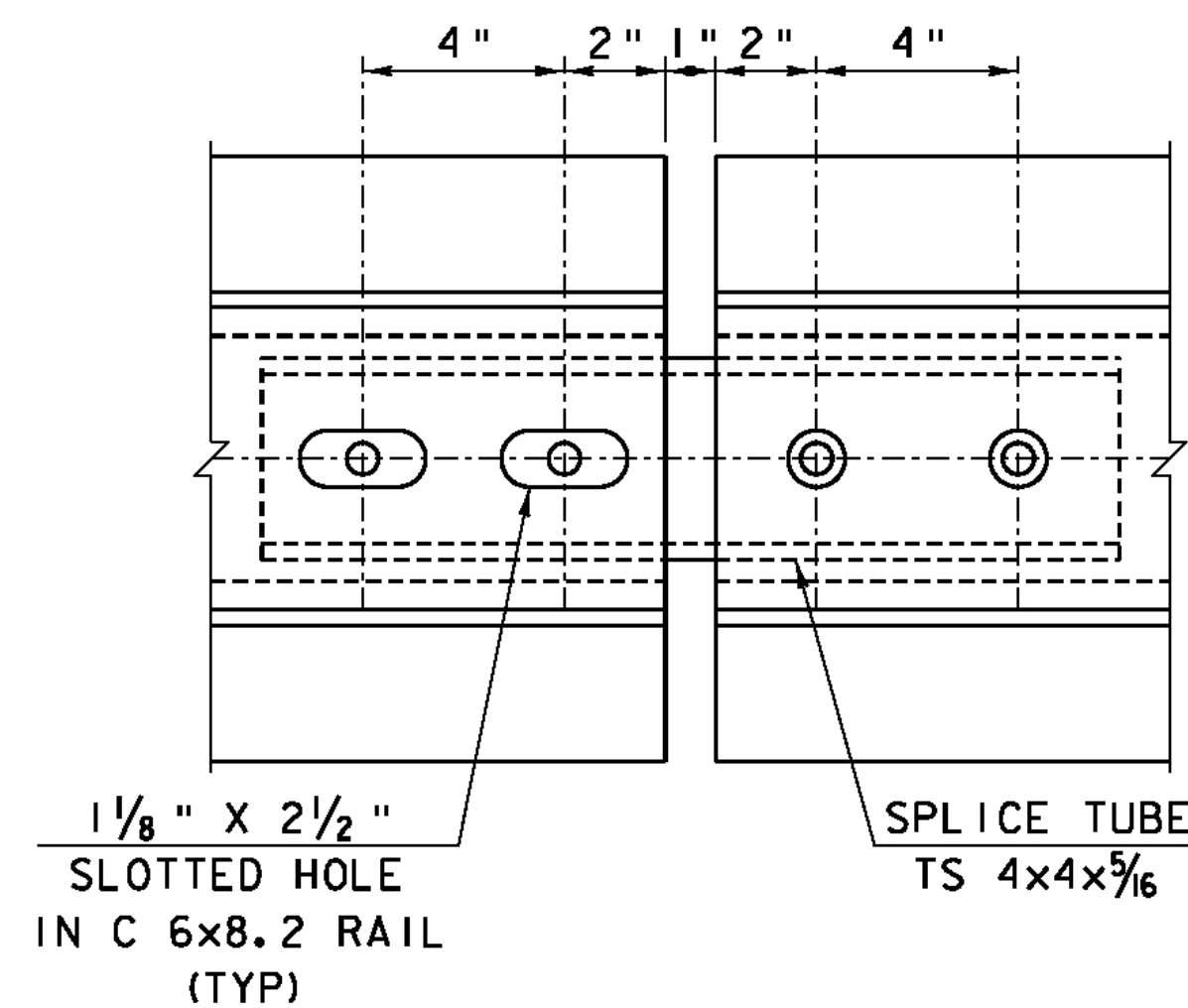
**BOTTOM RAIL SPLICE TUBE DETAIL**

TS 4x4x5/16  
 SCALE 3" = 1'-0"



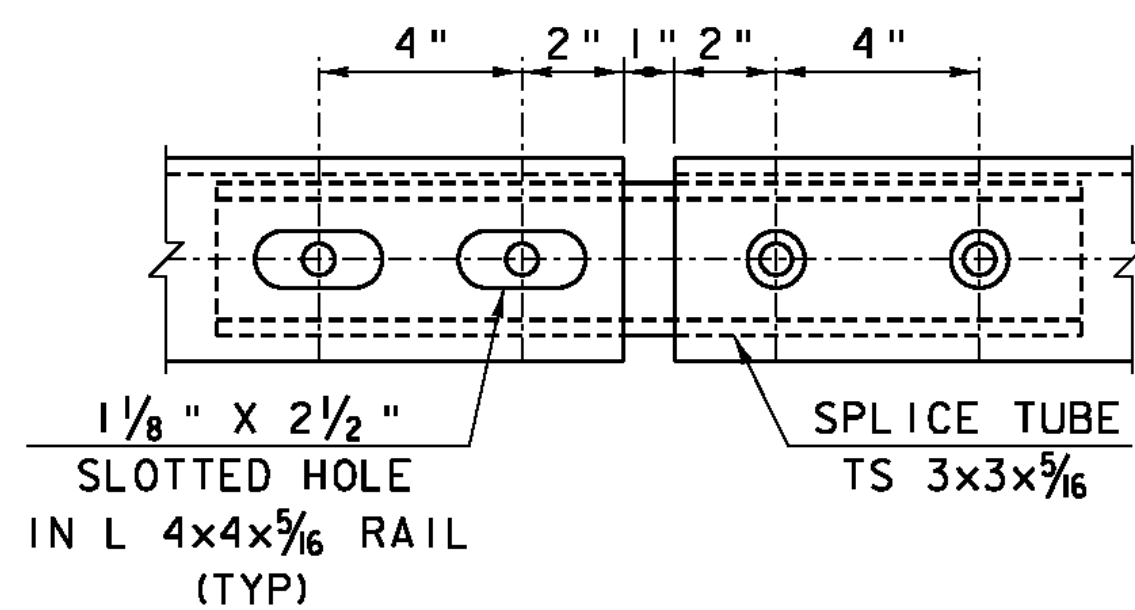
**TOP RAIL SPLICE TUBE DETAIL**

TS 3x3x5/16  
 SCALE 3" = 1'-0"



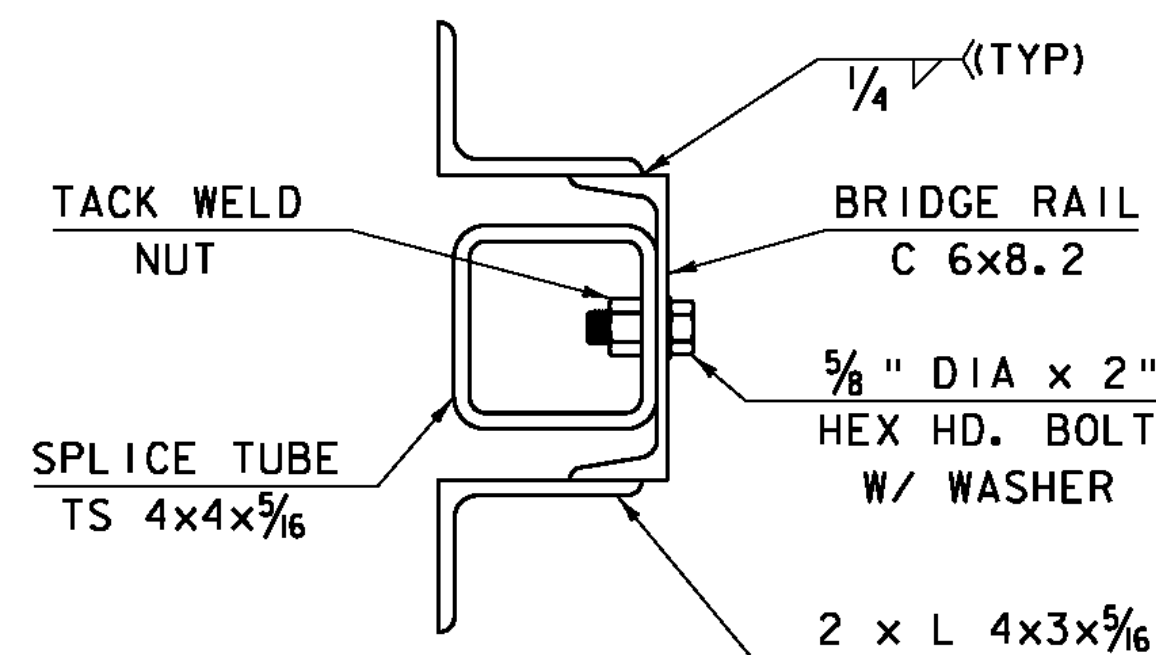
**BOTTOM RAIL SPLICE DETAIL**

SCALE 3" = 1'-0"



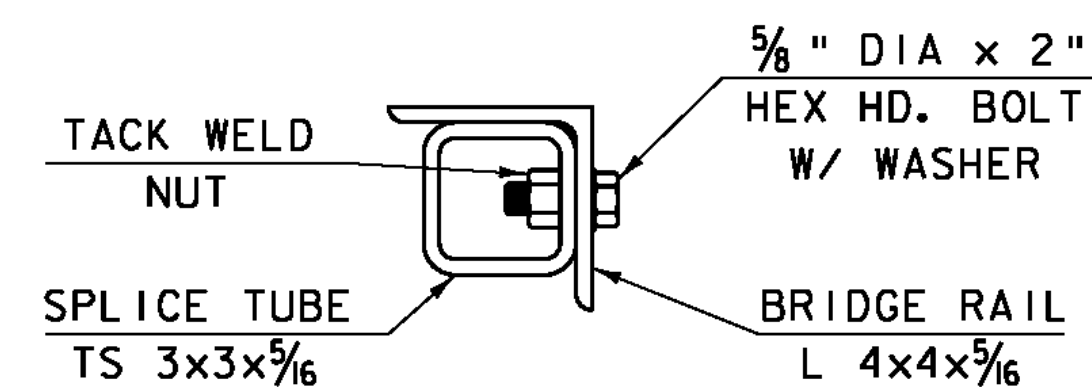
**TOP RAIL SPLICE DETAIL**

SCALE 3" = 1'-0"



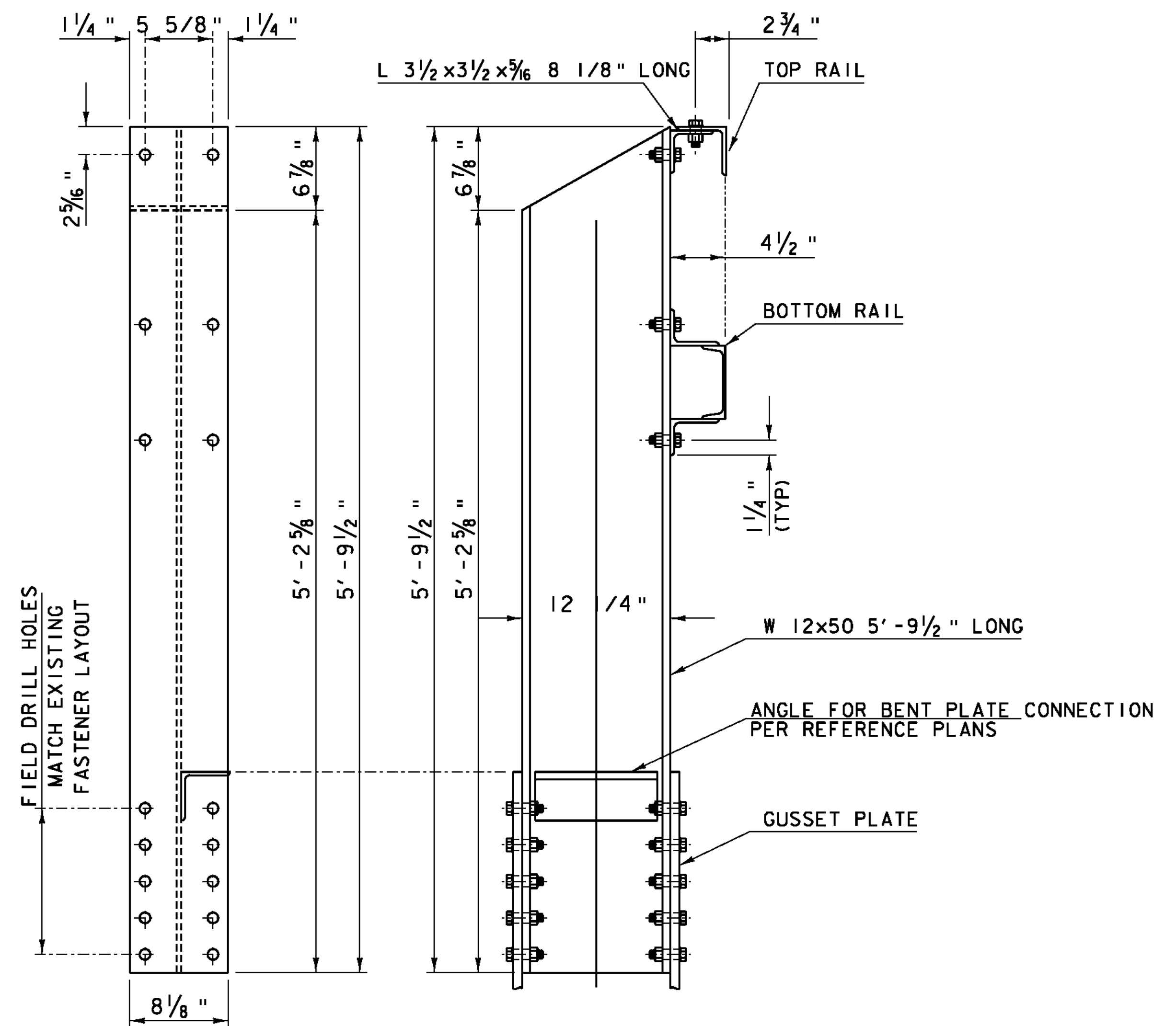
**BOTTOM RAIL SPLICE SECTION**

SCALE 3" = 1'-0"



**TOP RAIL SPLICE SECTION**

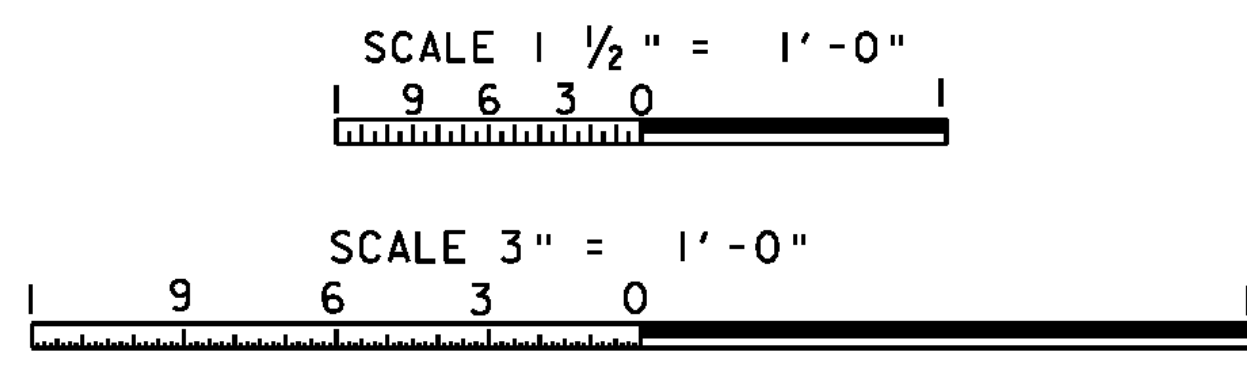
SCALE 3" = 1'-0"



**END RAIL POST**

SCALE 1 1/2" = 1'-0"  
 ALL HOLES SHALL BE FIELD DRILLED UNLESS OTHERWISE NOTED.

RICHMOND  
 BHF 0209(7)  
 SHEET 15 OF 23  
 FOR REFERENCE ONLY



<b>STATE OF VERMONT AGENCY OF TRANSPORTATION</b>			
Town Of	RICHMOND	Bridge No.	31
Highway No.	T.H. #1	Log Sta.	
		Surv. Sta.	
TOWN HIGHWAY #1 OVER WINOOSKI RIVER			
<b>RAIL SPLICE AND END RAIL DETAILS</b>			
Designed By	C.P. WILLIAMS	Drawn By	D.D. BEARD
Checked By	C.P. WILLIAMS	Date	12/19/08
		Bridge Design Supervisor	G. BOGUE
		Date	01/09
PROJECT	RICHMOND		PROJECT NO. BHF 0209(5)
CAD Dwg:	...drawing\08J132_RailIng.dgn		Plot Date: 8/17/2010
Bridge Sheet No.			Sheet 29 of 50