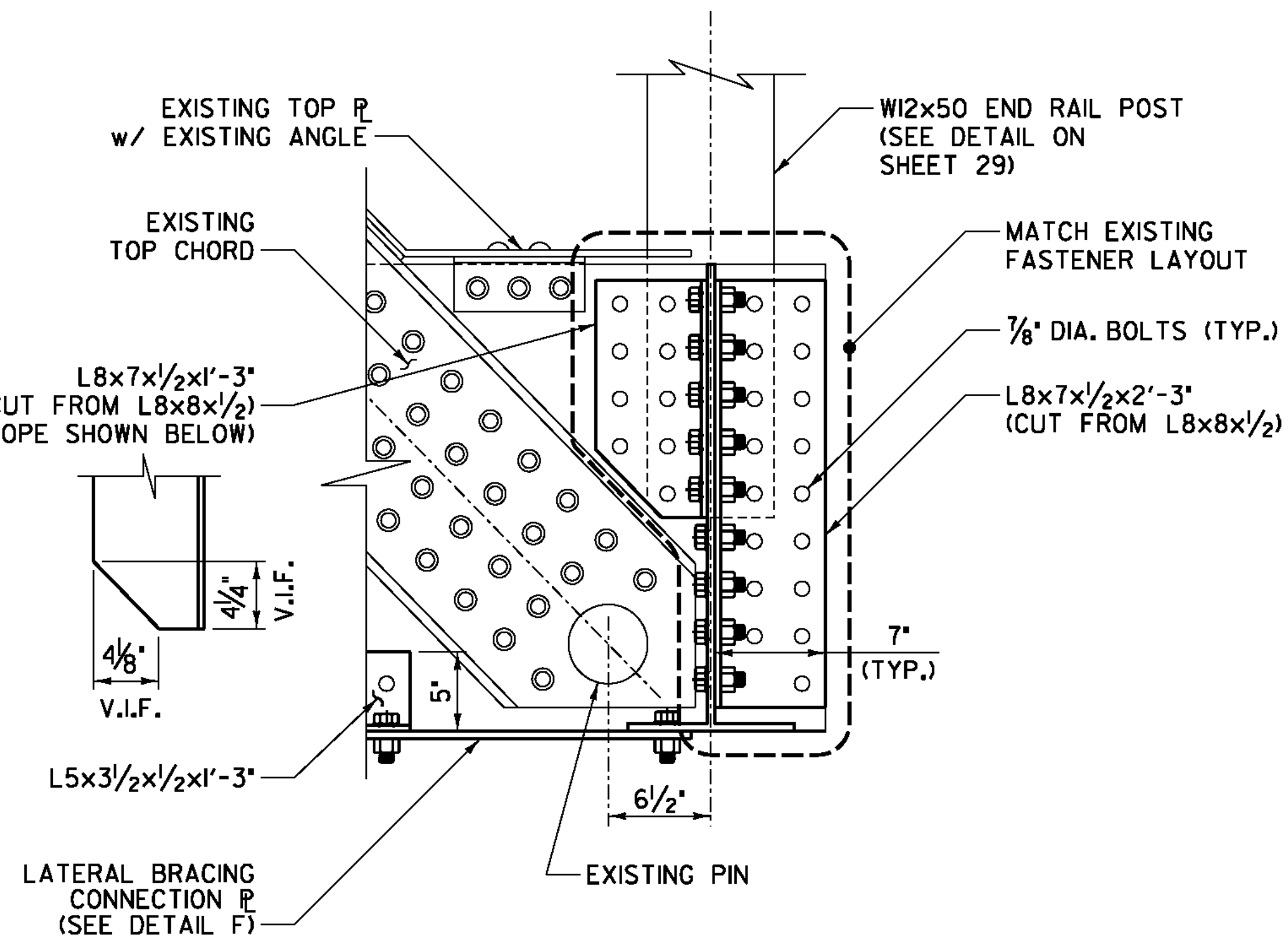


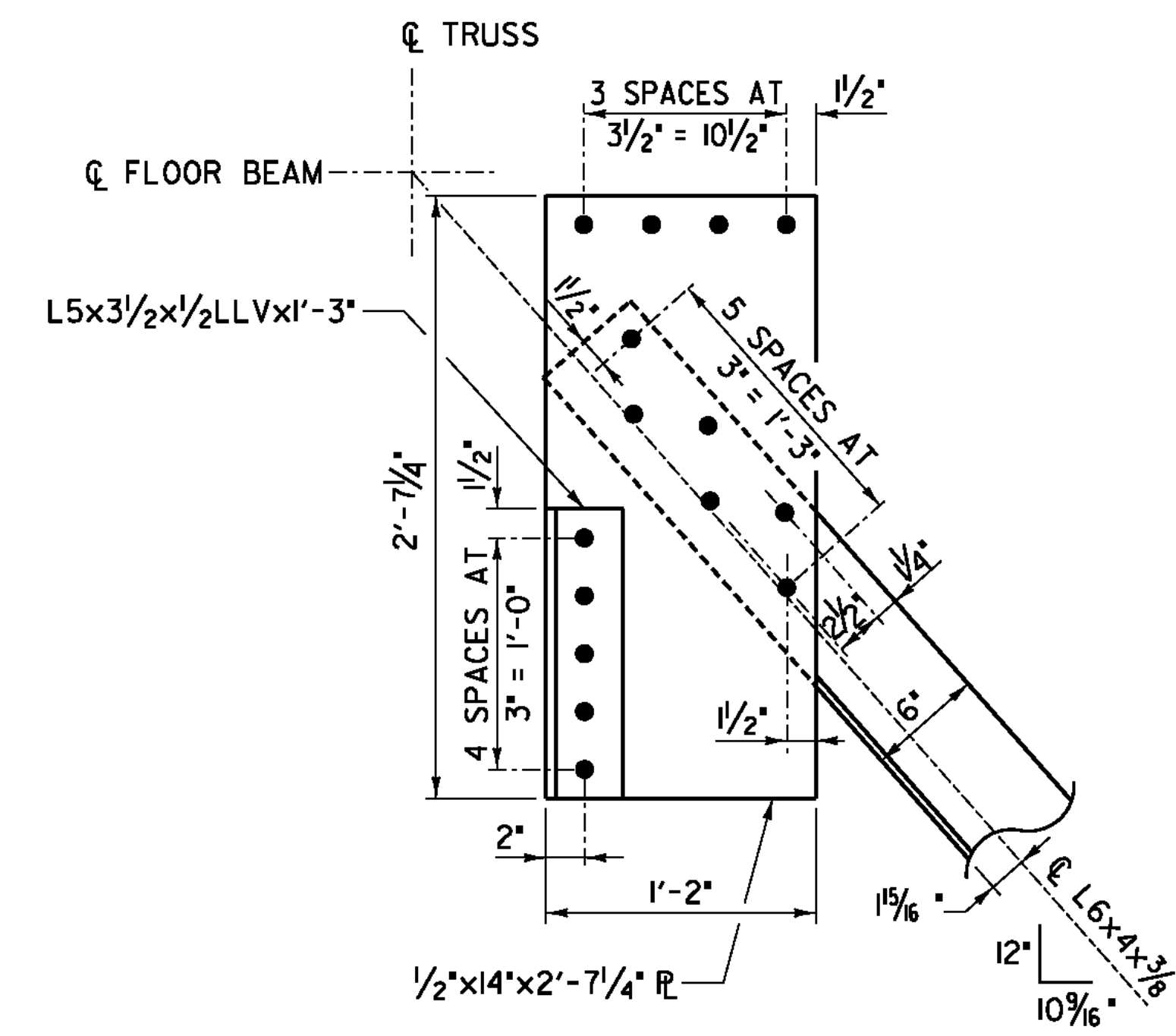
**BEAM TO TRUSS CONNECTION
DETAIL (FBO & FB9)**

SCALE 1 1/2" = 1'-0"



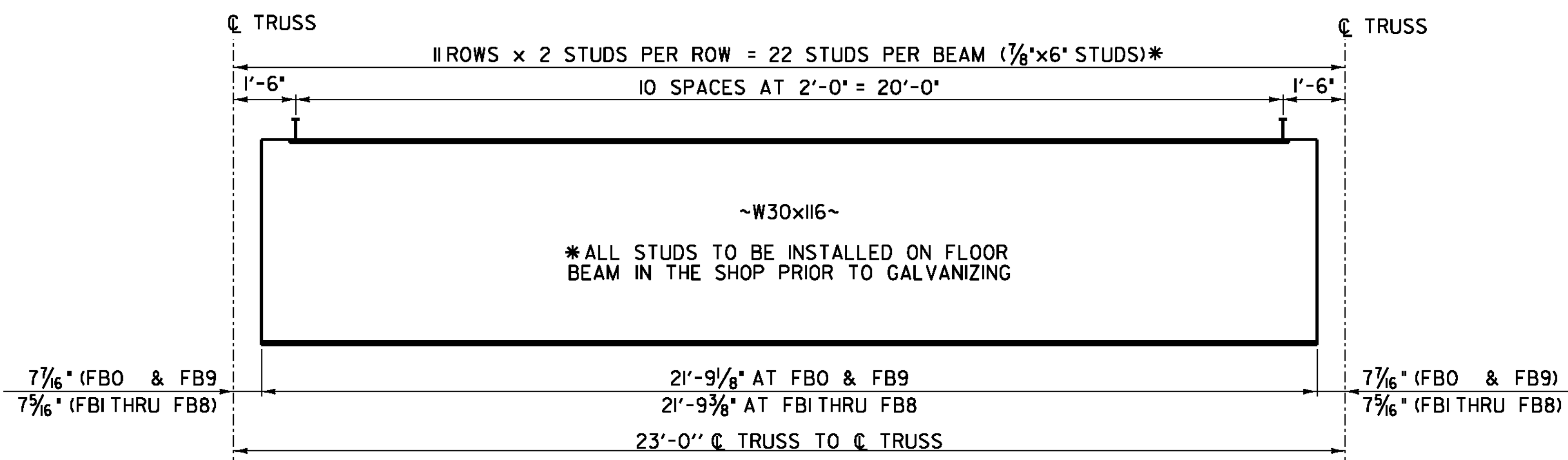
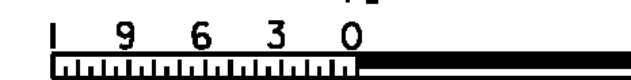
SECTION E-E

SCALE 1 1/2" = 1'-0"



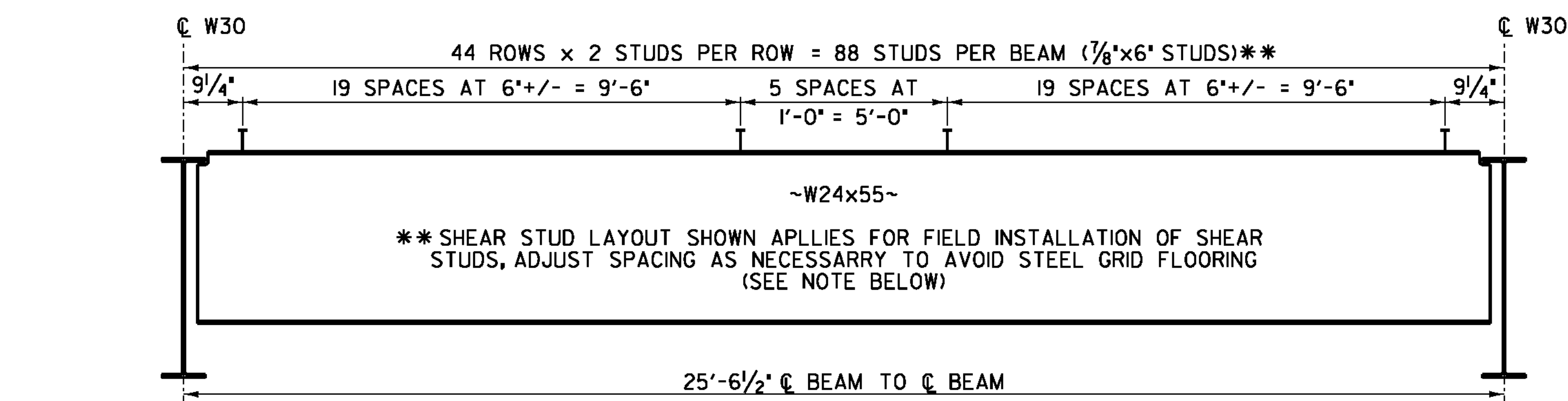
DETAIL F

SCALE 1 1/2" = 1'-0"



W30 FLOOR BEAM ELEVATION

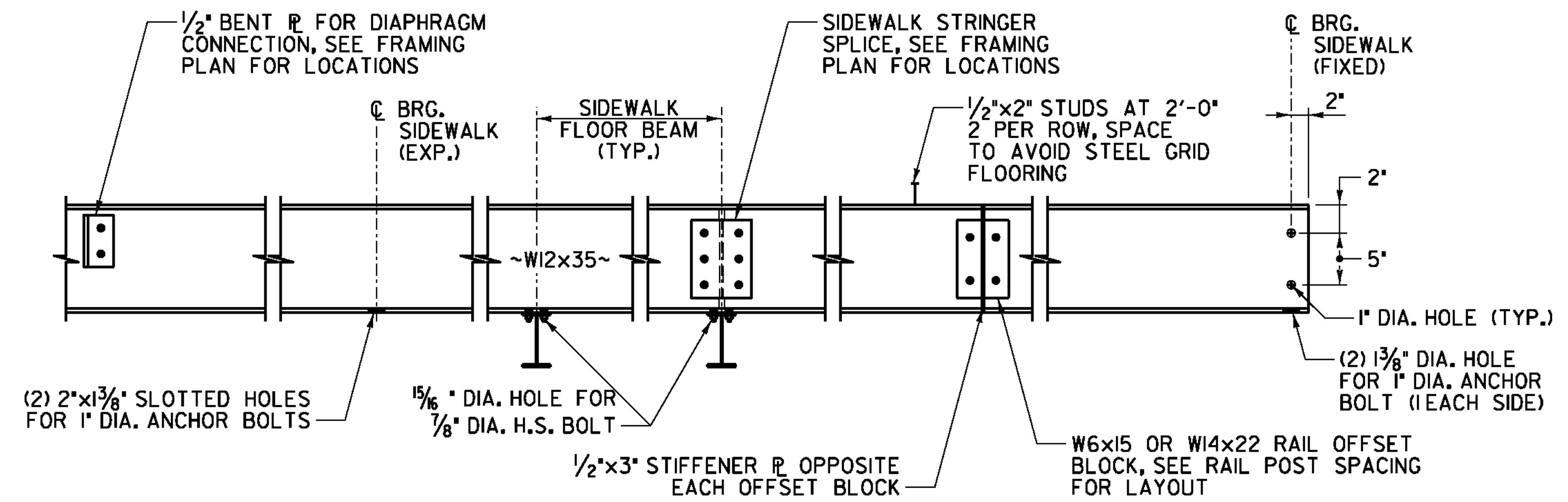
NOT TO SCALE



W24 STRINGER ELEVATION

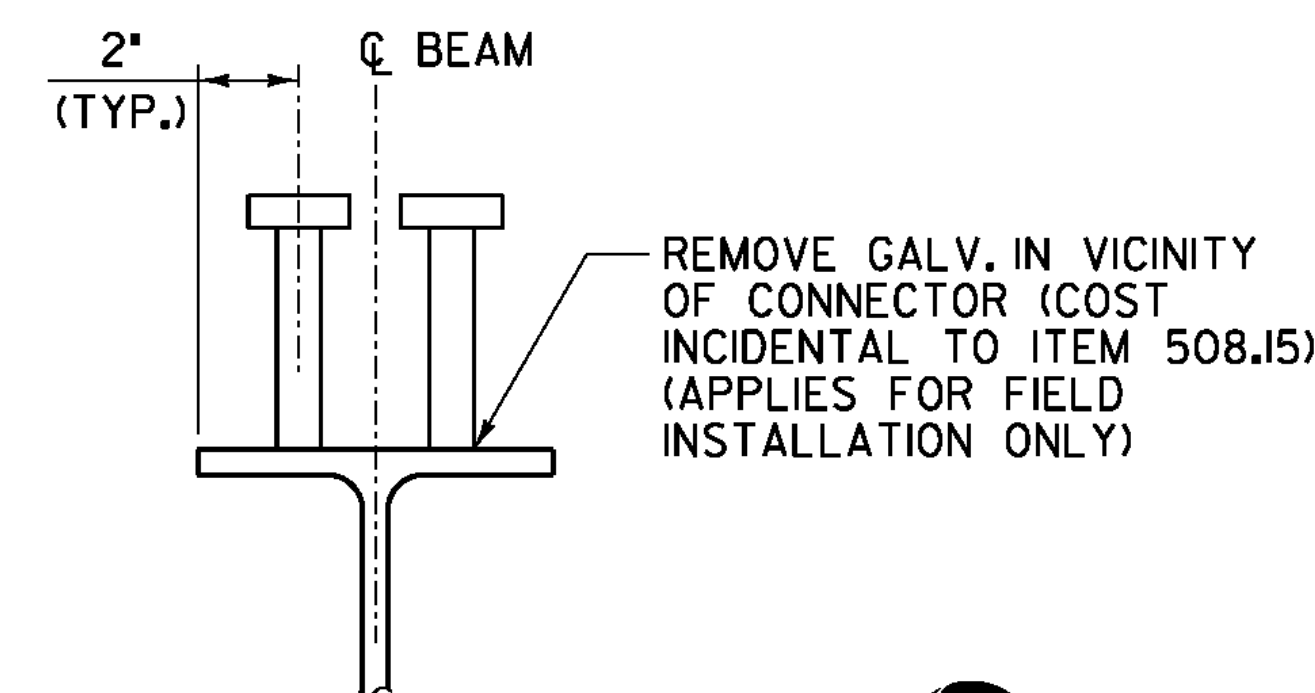
NOT TO SCALE

NOTE: CONTRACTOR SHALL HAVE THE OPTION OF INSTALLING THE STUDS OF STRINGER IN THE SHOP PRIOR TO GALVANIZING. IF THE CONTRACTOR ELECTS TO SHOP INSTALL THE STUDS, THEY SHALL SUBMIT A REVISED STUD LAYOUT TO AVOID INTERFERENCE WITH THE STEEL GRID FLOORING.



PARTIAL SIDEWALK STRINGER ELEVATION

NOT TO SCALE



SHEAR CONNECTOR DETAIL

NOT TO SCALE

NOTE:

1. REFER TO SHEET 16 FOR LEGEND.

<p>STATE AGENCY OF</p>		RICHMOND BHF 0209(7)	
		SHEET 14 OF 23 FOR REFERENCE ONLY	
Town Of	RICHMOND	Log Sta.	
Highway No.	T.H. #1	Surv. Sta.	
TOWN HIGHWAY #1 OVER WINOOSKI RIVER			
STEEL DETAILS 4			
Designed By	S. BURBANK	Drawn By	J. SOTER
Checked By	S. BURBANK	Date	01/09
		Bridge Design Supervisor	G. BOGUE
PROJECT	RICHMOND	Date	01/09
		PROJECT NO.	BHF 0209(5)
CAD Dwg:	... \drawing\z08J132.STEEL DETS.dgn	Plot Date:	8/17/2010
Bridge Sheet No.		Sheet	19 of 50

