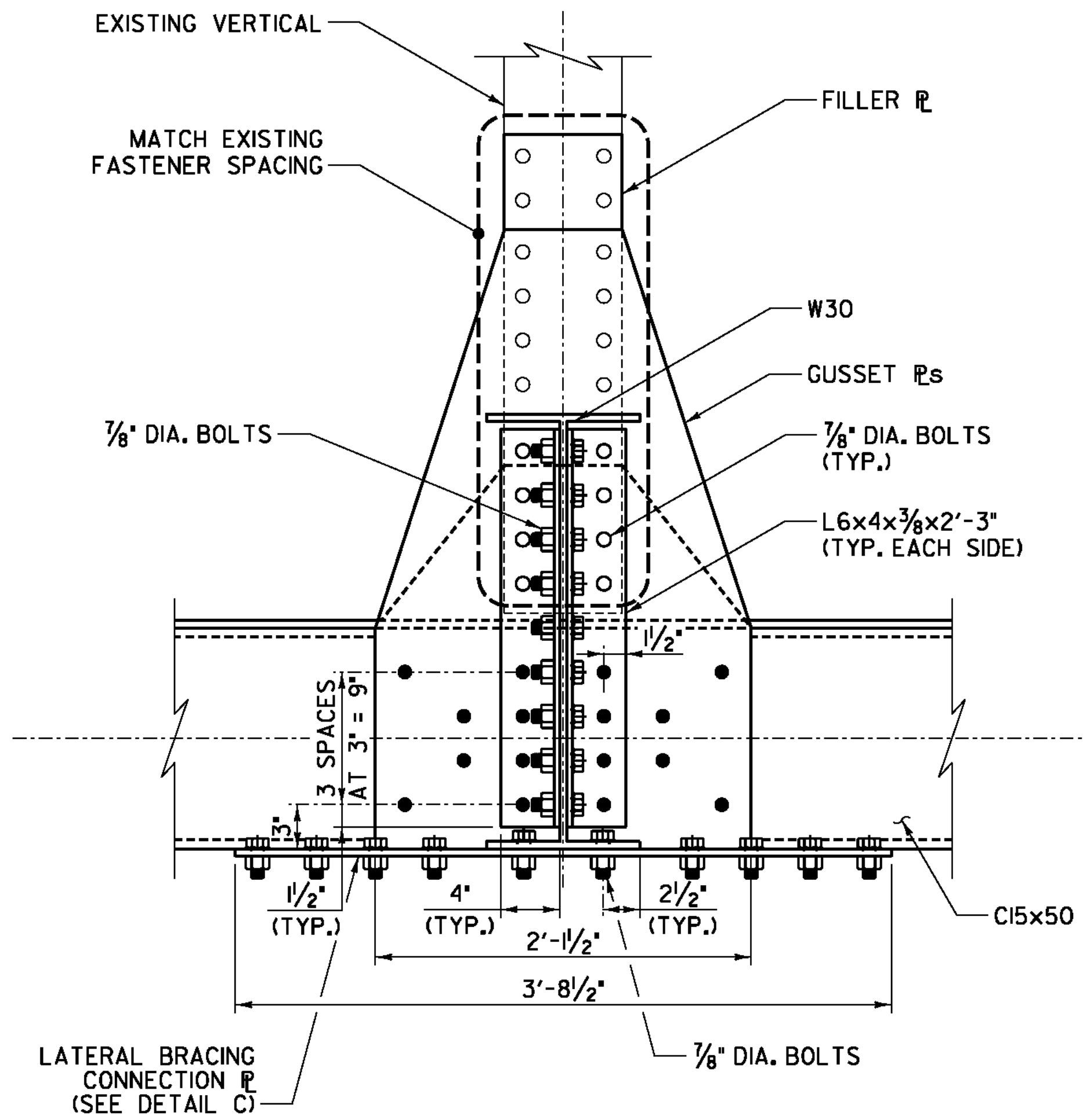


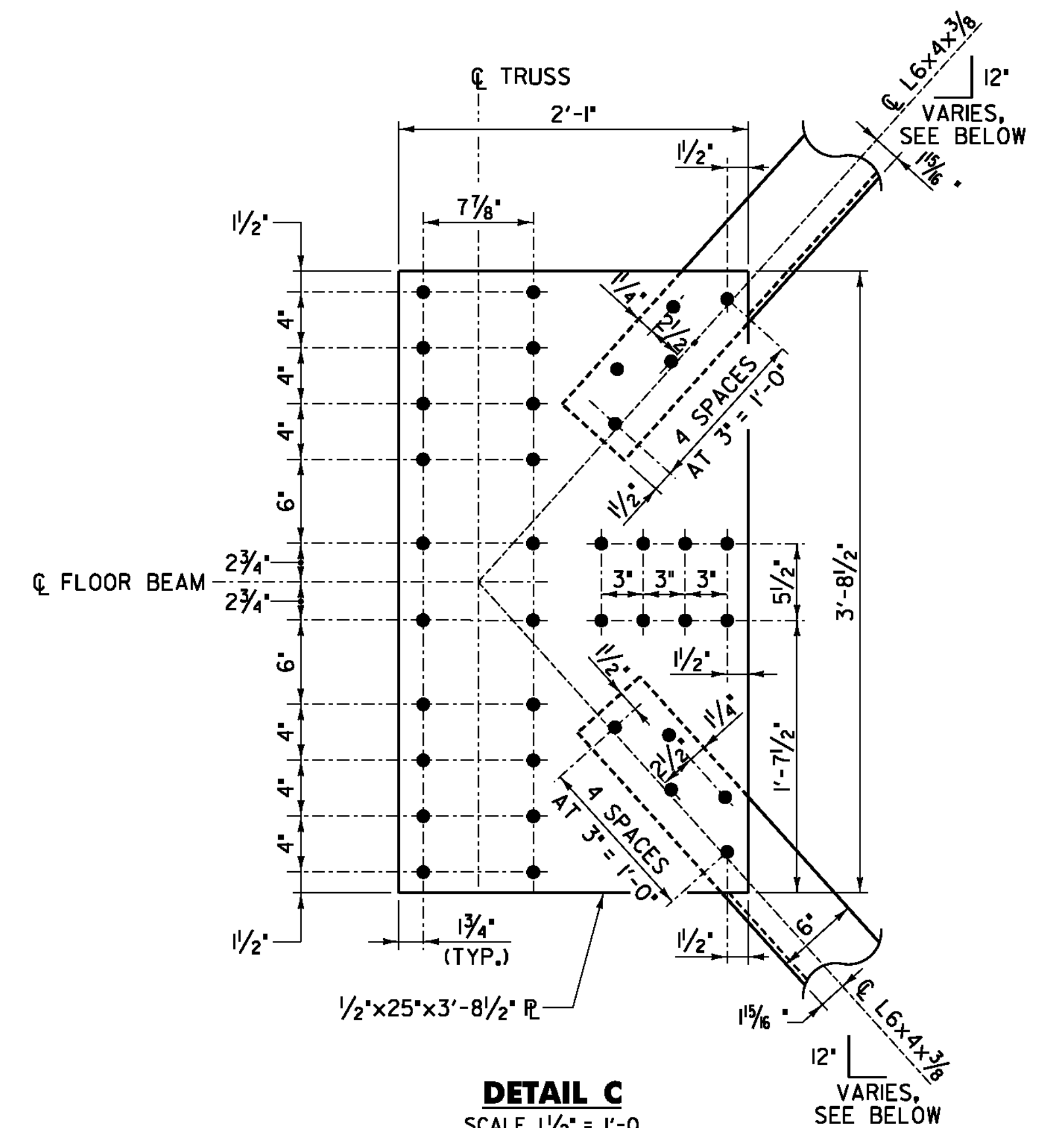
FLOOR BEAM TO TRUSS CONNECTION DETAIL (FB1 THRU FB8)

SCALE 1 1/2" = 1'-0"
 9 6 3 0



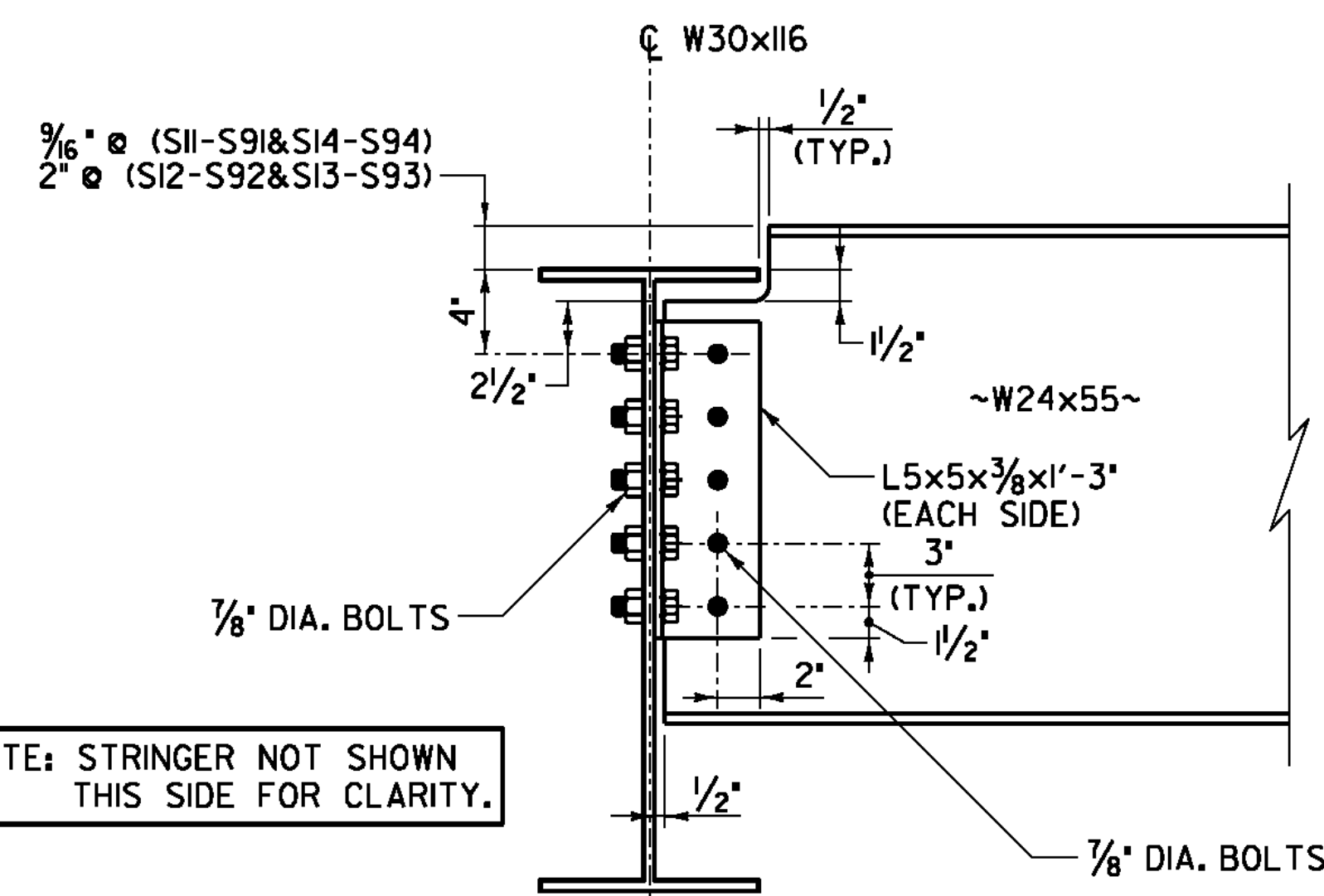
SECTION B-B

SCALE 1 1/2" = 1'-0"
 9 6 3 0



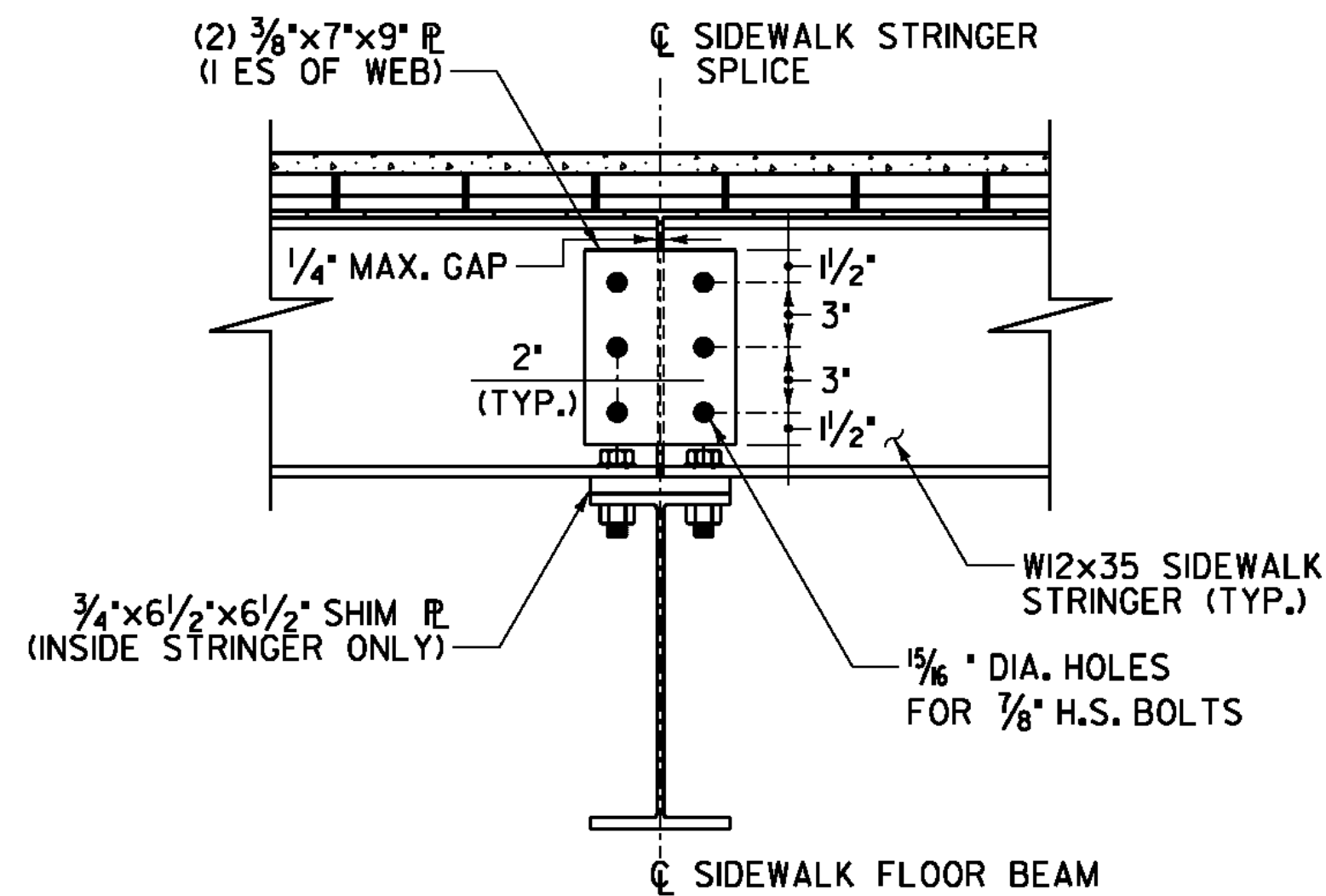
DETAIL C

SCALE 1 1/2" = 1'-0"
 9 6 3 0



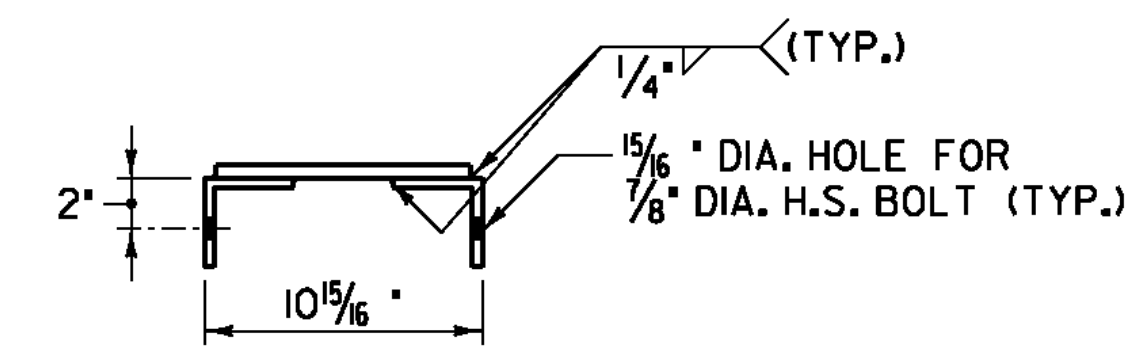
STRINGER TO BEAM CONNECTION DETAIL

SCALE 1 1/2" = 1'-0"
 9 6 3 0



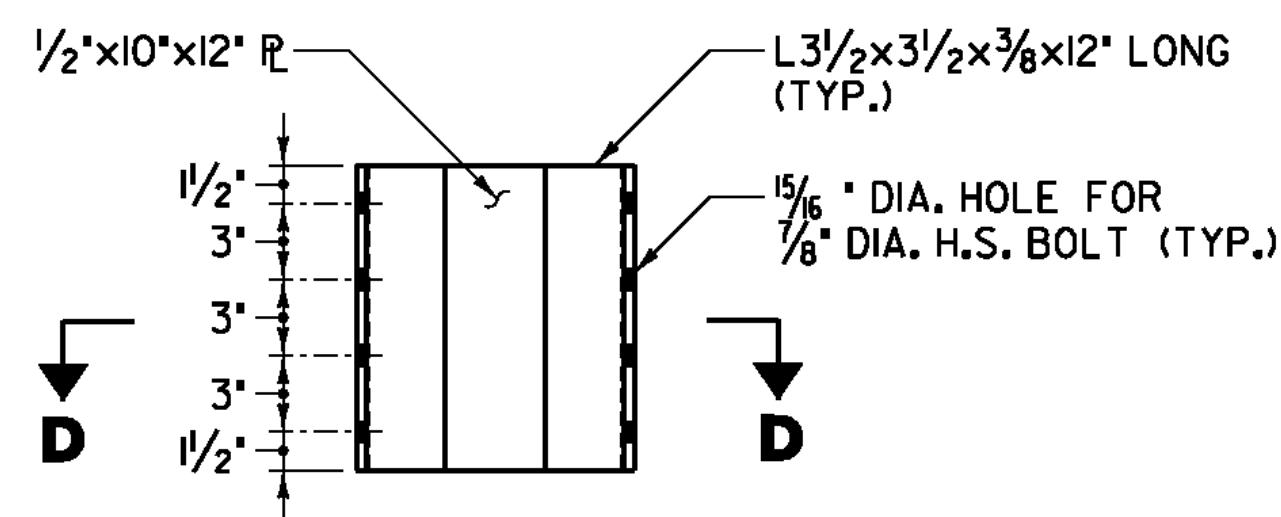
SIDEWALK STRINGER SPLICE DETAIL

SCALE 1 1/2" = 1'-0"
 9 6 3 0



SECTION D-D

SCALE 1 1/2" = 1'-0"
 9 6 3 0



GUSSET DIAPHRAGM DETAIL

SCALE 1 1/2" = 1'-0"
 9 6 3 0

NOTE: ONE PER LITHRU L8 EAST AND WEST TRUSS

12"
 10 9/16" AT L0 TO L1 AND L8 TO L9
 10 3/16" AT L1 TO L8

RICHMOND
 BHF 0209(7)
 SHEET 13 OF 23
 FOR REFERENCE ONLY

NOTE:

1. REFER TO SHEET 16 FOR LEGEND.

STATE OF VERMONT AGENCY OF TRANSPORTATION

Town Of	RICHMOND	Bridge No.	31
Highway No.	T.H. #1	Log Sta.	
		Surv. Sta.	
TOWN HIGHWAY #1 OVER WINOOSKI RIVER			
STEEL DETAILS 3			
Designed By	S. BURBANK	Drawn By	J. SOTER
Checked By	S. BURBANK	Date	01/09
		Bridge Design Supervisor	G. BOGUE
		Date	01/09
PROJECT	RICHMOND	PROJECT NO.	BHF 0209(5)
CAD Dwg:	... \drawing\z08J132.STEEL.DETS.dgn	Plot Date:	8/17/2010
Bridge Sheet No.		Sheet	18 of 50

