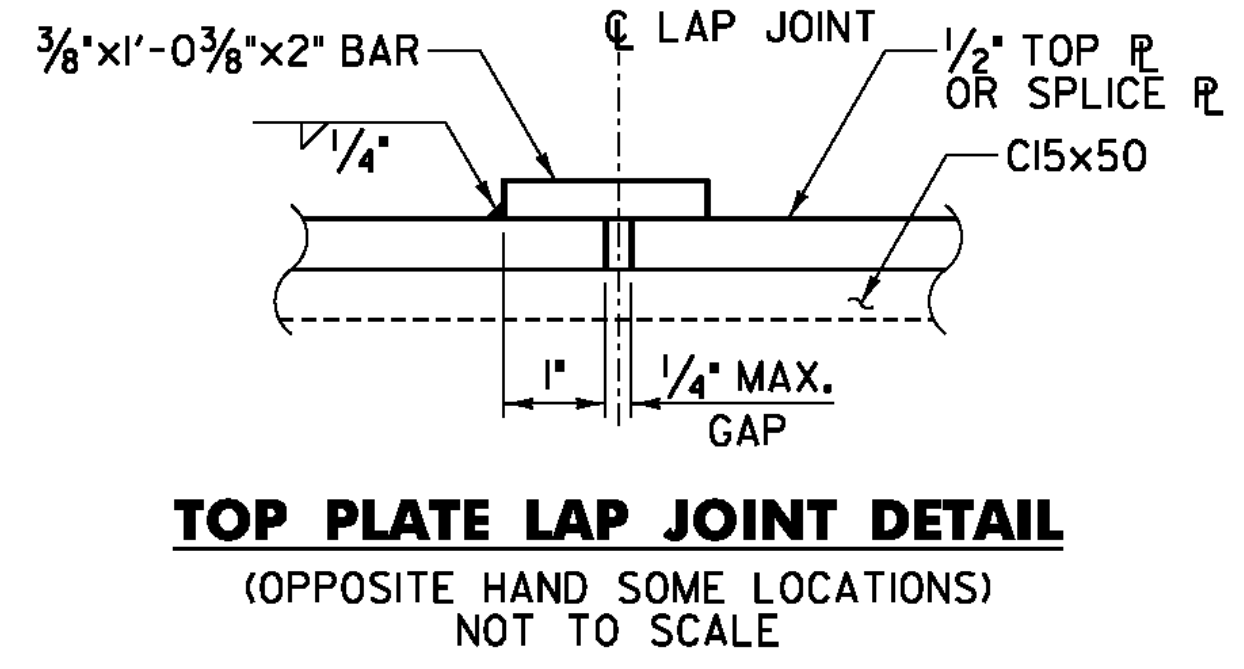


- NOTES:**
- ALL SPLICE PLATES ARE FRACTURE CRITICAL MEMBERS.
  - TOP PLATE LAP JOINT NOT SHOWN FOR CLARITY.



**LEGEND**

- = NEW 15/16" DIA. HOLE FOR 7/8" DIA. BOLT UNLESS NOTED OTHERWISE
- = EXISTING RIVETS TO BE REPLACED w/ 7/8" DIA. BOLTS. LAYOUT TO BE DETERMINED FROM FIELD MEASUREMENTS
- ⊙ = EXISTING RIVETS TO REMAIN
- NS = NEAR SIDE (ROADWAY SIDE OF TRUSS)
- FS = FAR SIDE (OUTSIDE OF TRUSS)

RICHMOND  
 BHF 0209(7)  
 SHEET 11 OF 23  
 FOR REFERENCE ONLY



**STATE OF VERMONT  
 AGENCY OF TRANSPORTATION**

Town Of	RICHMOND	Bridge No.	31
Highway No.	T.H. #1	Log Sta.	
		Surv. Sta.	
TOWN HIGHWAY #1 OVER WINOOSKI RIVER			
<b>STEEL DETAILS 1</b>			
Designed By	T. KNIGHT	Drawn By	J. SOTER
Checked By	T. KNIGHT	Date	01/09
		Bridge Design Supervisor	G. BOGUE
		Date	01/09
PROJECT	RICHMOND BHF 0209(5)		
	PROJECT NO. BHF 0209(5)		
CAD Dwg:	... \drawing\z08J132.STEEL DETS.dgn Plot Date: 8/17/2010		
Bridge Sheet No.	Sheet 16 of 50		