

INDEX OF SHEETS

1	TITLE SHEET
2	INDEX OF SHEETS & GENERAL NOTES
3-4	LOCATION MAPS 1-2
5	QUANTITY SHEET
6-7	GENERAL SIGN DETAILS 1-2
8	SPECIFIC SIGN DETAILS HARTFORD AND NEWFANE
9	SPECIFIC SIGN DETAILS NORWICH 1, NORWICH 2 AND WINDSOR
10	SPECIFIC SIGN DETAILS TOWNSHEND
11-16	HARTFORD TRAFFIC SIGN SUMMARY SHEETS 1-6
17-20	NEWFANE TRAFFIC SIGN SUMMARY SHEETS 1-4
21-25	NORWICH 1 TRAFFIC SIGN SUMMARY SHEETS 1-5
26-28	NORWICH 2 TRAFFIC SIGN SUMMARY SHEETS 1-3
29-35	TOWNSHEND TRAFFIC SIGN SUMMARY SHEETS 1-7
36-39	WINDSOR TRAFFIC SIGN SUMMARY SHEETS 1-4
40	TOWN TOTAL SIGN SUMMARY SHEET
41	TOWN HIGHWAY PAVEMENT MARKINGS SHEET
42	ITEM DETAIL SUMMARY SHEET
43-44	TRAFFIC CONTROL SHEETS 1-2

STANDARDS

E-121	STANDARD SIGN PLACEMENT- CONVENTIONAL ROAD	08/08/1995
E-123	GUIDE SIGN PLACEMENT - MISCELLANEOUS DETAILS	03/16/2004
E-127	ROUTE MARKINGS AT RURAL INTERSECTIONS	08/08/1995
E-136B	STATE ROUTE MARKER SIGN DETAILS	08/08/1995
E-136C	STATE NUMBERED TOWN HIGHWAY SIGN DETAILS	08/08/1995
E-138	MILEMARKER DETAILS - STATE AND TOWN HIGHWAYS	05/30/2003
E-145A	REGULATORY SIGN DETAILS - LANE USE CONTROL SIGNS	12/23/1994
E-154	WARNING SIGN DETAILS	05/01/2004
E-164	SQUARE STEEL SIGN POST	06/08/2009
E-191	PAVEMENT MARKING DETAILS	02/01/1999
E-193	PAVEMENT MARKING DETAILS	08/18/1995
G-1	STEEL BEAM GUARDRAIL DETAILS (POST, DELINEATORS, TYPICALS)	01/03/2000
G-1d	STEEL BEAM GUARDRAIL DETAILS (END TERMINAL, ANCHOR, MEDIAN)	01/03/2000
G-19	GENERIC GRADING PLANS FOR GUARDRAIL END TERMINALS	11/15/2002
SB-R6-82	BRIDGE RAILING HEAVY DUTY STEEL BEAM	01/06/1995

GENERAL NOTES

- ALL NEW SIGNS SHALL BE IN ACCORDANCE WITH THESE PLANS, THE LATEST EDITION OF THE 2009 MANUAL ON UNIFORM TRAFFIC CONTROL DEVICES (MUTCD), THE STANDARD HIGHWAY SIGNS BOOK (SHSP) PUBLISHED BY THE FEDERAL HIGHWAY ADMINISTRATION (FHWA), AND APPLICABLE VTRANS E-SERIES STANDARDS OR AS DIRECTED BY THE ENGINEER. SIGN LOCATIONS AS SHOWN ON THE PLANS ARE APPROXIMATE. EXACT LOCATIONS TO BE DETERMINED BY THE ENGINEER IN THE FIELD.
- ALL SIGNS WITHIN THE PROJECT LIMITS ARE TO BE REPLACED UNLESS OTHERWISE NOTED OR AS DIRECTED BY THE RESIDENT ENGINEER.
- THE CONTRACTOR SHALL BE RESPONSIBLE FOR REPAIRING ANY DAMAGE TO PRIVATE OR PUBLIC PROPERTY CAUSED BY THE CONTRACTOR, AT THE CONTRACTOR'S EXPENSE.
- EXISTING STREET NAME SIGNS ATTACHED TO SIGN POSTS THAT ARE TO BE REPLACED, SHALL BE REMOVED AND INSTALLED ONTO NEW POSTS. ALL WORK AND MATERIALS NECESSARY TO REMOVE AND INSTALL THE STREET NAME SIGNS SHALL BE PAID UNDER ITEM 675.50 REMOVING SIGNS, AN ESTIMATED QUANTITY FOR ERECTING SALVAGED SIGNS, PAY ITEM 675.60 AND SETTING SALVAGED POSTS PAY ITEM 675.61 WAS ADDED TO THE QUANTITY SHEET TO PAY FOR THIS WORK. ALL EXISTING STREET NAME SIGNS INSTALLED ON STAND ALONE SIGN POSTS SHALL BE RETAINED WITHIN THE PROJECT LIMITS, UNLESS OTHERWISE NOTED OR AS DIRECTED BY THE RESIDENT ENGINEER.
- ALL SIGN PLACEMENT SHALL BE IN CONFORMANCE WITH STATE STANDARD E-121 DRAWINGS.
- ALL SIGN LETTERING, DIGITS, ARROWS, AND DESIGN OF SYMBOLS FOR SIGNS DETAILED IN THESE PLANS SHALL CONFORM WITH THE STANDARD ALPHABET FOR HIGHWAY SIGNS AND PAVEMENT MARKINGS AS ADOPTED BY THE U.S. DEPARTMENT OF TRANSPORTATION AND THE FEDERAL HIGHWAY ADMINISTRATION (FHWA), UNLESS OTHERWISE DETAILED WITHIN THESE PLANS.
- WITHIN THE TRAFFIC SIGN SUMMARY SHEETS FY= FLUORESCENT YELLOW SHEETING (ASTM TYPE VII, VIII, OR IX) AND FYG = FLUORESCENT YELLOW-GREEN SHEETING (ASTM TYPE VII, VIII, OR IX). REFER TO ITEM 750.08 RETROREFLECTIVE SHEETING. NOTE THESE ABBREVIATIONS CAN BE FOUND UNDER SHEETING REMARKS ON THE TRAFFIC SIGN SUMMARY SHEET INCLUDED WITHIN THESE PROJECT PLANS.
- UNLESS OTHERWISE DETAILED ON THE PLANS, ALL SIGN BASE MATERIAL SHALL BE FLAT SHEET ALUMINUM WITH THE FOLLOWING MINIMUM THICKNESSES:

SIZES				
	24" X 8"			
	24" X 10"			
	24" X 12"			
	24" X 18"			
	24" X 24"			
	24" X 30"			
	30" X 8"	36" X 12"		
	30" X 15"	36" X 15"		
	30" X 18"	36" X 18"	48" X 18"	
	30" X 30"	36" X 24"	48" X 24"	
	9" X 12"	30" X 42"	30" X 42"	48" X 30"
	12" X 12"	36" X 8"	36" X 36"	48" X 42"
	18" X 18"	42" X 8"	36" X 48"	48" X 48"
	21" X 15"	48" X 8"	36" X 54"	48" X 60"
THICKNESS	0.060"	0.080"	0.100"	0.125"

VAOT RURAL AREA MIX					
LBS/AC					
% WEIGHT	BROADCAST	HYDROSEED	NAME	GERM %	PURITY %
37.5%	22.5	45	CREeping RED FESCUE	85%	98%
37.5%	22.5	45	TALL FESCUE	90%	95%
5.0%	3	6	RED TOP	90%	95%
15.0%	9	18	BIRD'SFOOT TREFOIL	85%	98%
5.0%	3	6	ANNUAL RYE GRASS	85%	95%
100%	60	120			

GENERAL GUIDANCE			
FERTILIZER		LIME	
BROADCAST	HYDROSEED	BROADCAST	HYDROSEED
10-20-10	19-19-19	PELLETIZED	LIQUID
500 LBS/AC		2 TONS/AC	4.4 GAL/AC

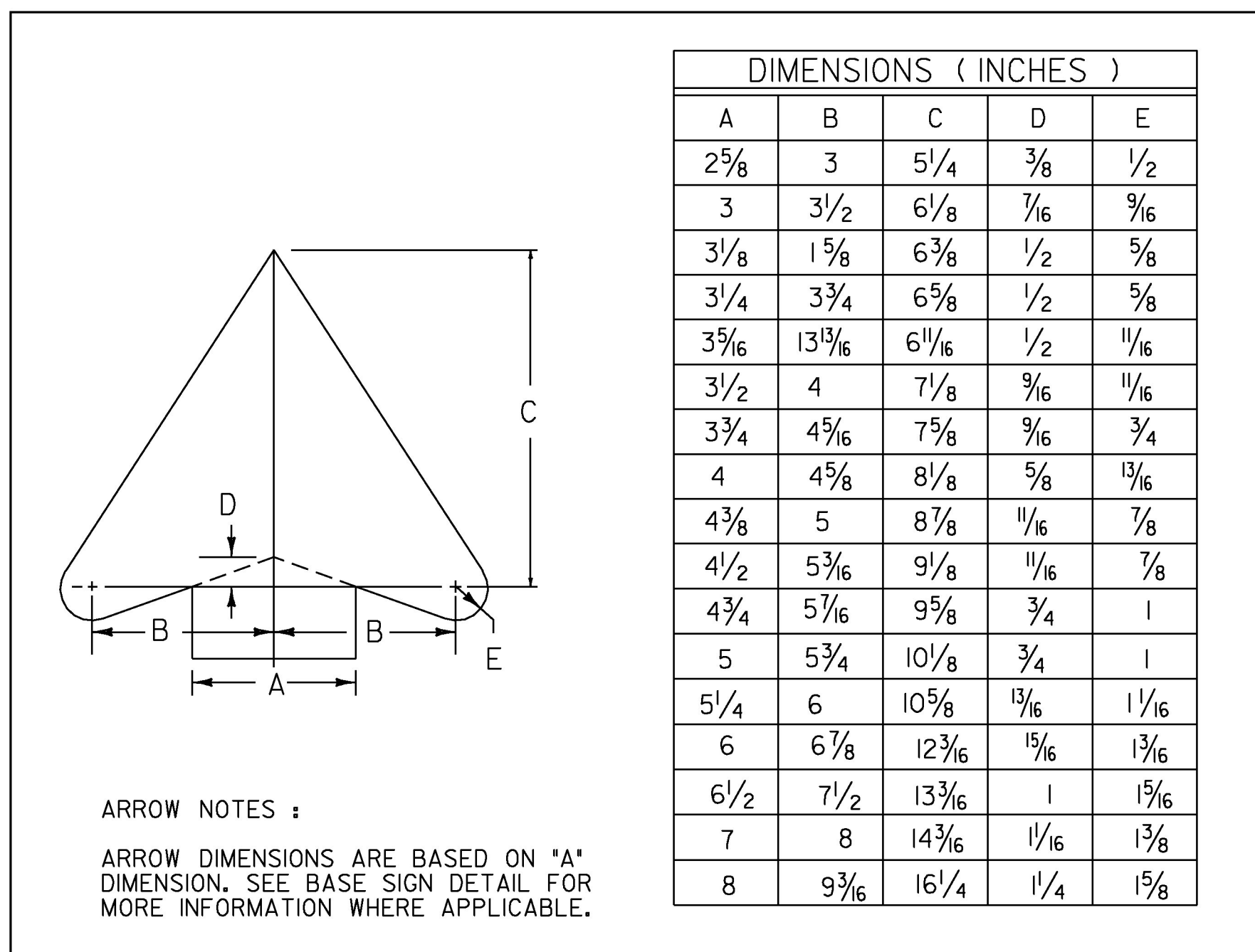
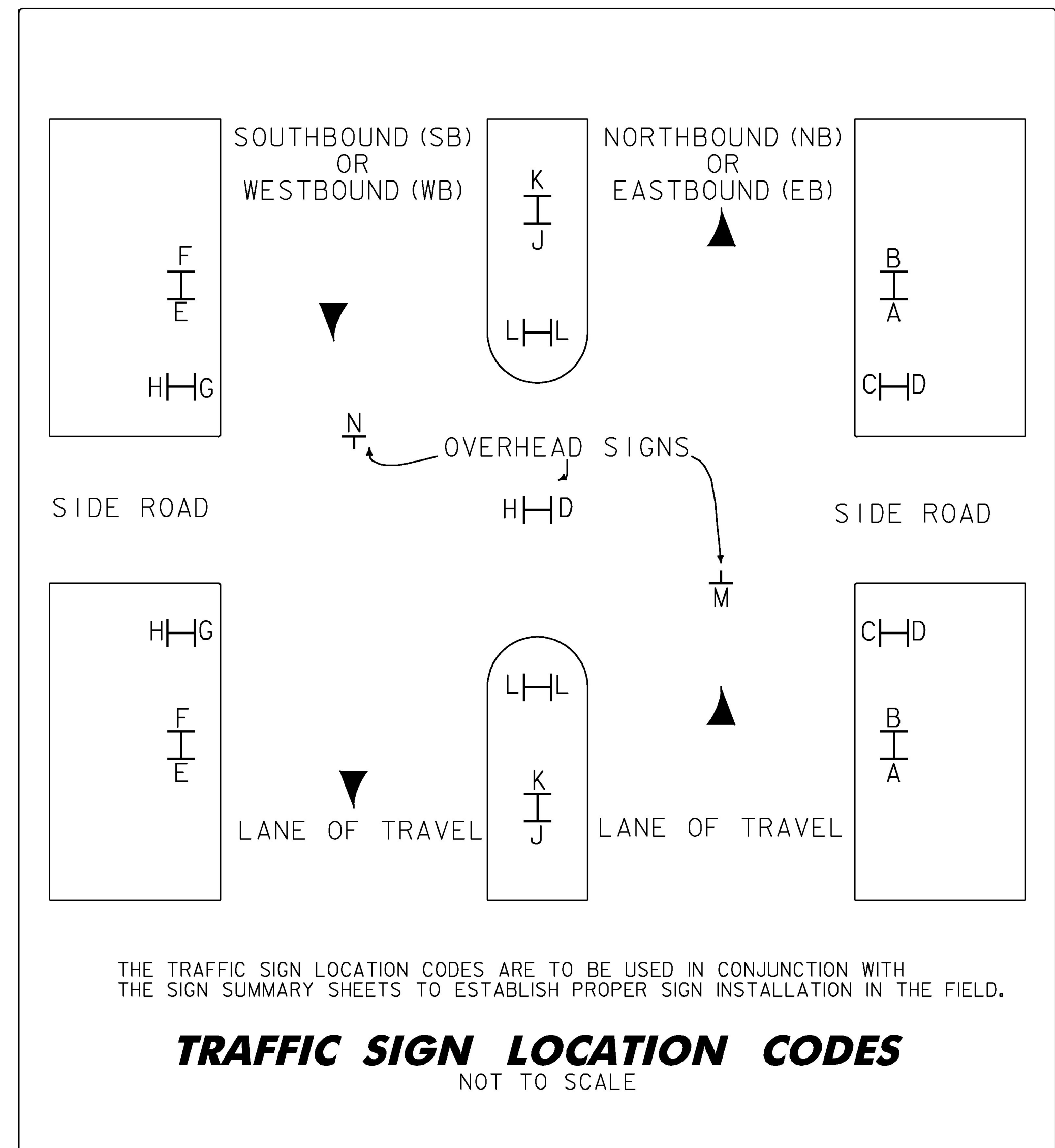
CONSTRUCTION GUIDANCE

- RURAL SEED MIX: USE AS INDICATED IN THE PLANS AND/OR FOR ALL ESTABLISHED UPLAND (NON WETLAND) AREAS DISTURBED BY THE CONTRACTOR.
- ALL SEED MIXTURES: SHALL NOT HAVE A WEED CONTENT EXCEEDING 0.40% BY WEIGHT AND SHALL BE FREE OF ALL NOXIOUS SEED.
- FERTILIZER AND LIMESTONE: SHALL FOLLOW RATES SHOWN ON PLAN OR AS DIRECTED BY THE ENGINEER
- HAY MULCH: TO BE PLACED ON EARTH SLOPES AT THE RATE OF 2 TONS/ACRE, ACHIEVE 90% GROUND COVER OR AS DIRECTED BY THE ENGINEER.
- TOPSOIL: TO BE USED WITH SEED AS INDICATED ON THE PLANS, OR AS DIRECTED BY THE ENGINEER.
- HYDROSEEDING: ALTHOUGH GUIDANCE IS GIVEN ABOVE THE SITE CONDITIONS AND THE TYPE OF HYDROSEED WILL ULTIMATELY DICTATE THE AMOUNTS AND TYPES OF SOIL AMENDMENTS TO BE APPLIED
- TURF ESTABLISHMENT: PLACING SEED, FERTILIZER, LIME AND MULCH PRIOR TO SEPTEMBER 15 AND AFTER APRIL 15 CAN BETTER ENSURE A VIGOROUS GROWTH OF GRASS.

ADAPTED FROM VTRANS TECHNICAL LANSCAPE MAUAL FOR ROADWAYS AND TRANSPORTATION FACILITIES

TURF ESTABLISHMENT

REVISIONS	
JUNE 23, 2009	WHF
JANUARY 15, 2010	WHF



DIMENSIONS (INCHES)				
A	B	C	D	E
2 5/8	3	5 1/4	3/8	1/2
3	3 1/2	6 1/8	7/16	9/16
3 1/8	1 5/8	6 3/8	1/2	5/8
3 1/4	3 3/4	6 5/8	1/2	5/8
3 3/16	13 15/16	6 11/16	1/2	11/16
3 1/2	4	7 1/8	9/16	11/16
3 3/4	4 5/16	7 5/8	9/16	3/4
4	4 5/8	8 1/8	5/8	13/16
4 3/8	5	8 7/8	11/16	7/8
4 1/2	5 3/16	9 1/8	11/16	7/8
4 3/4	5 1/16	9 5/8	3/4	1
5	5 3/4	10 1/8	3/4	1
5 1/4	6	10 5/8	13/16	1 1/16
6	6 7/8	12 3/16	15/16	1 3/16
6 1/2	7 1/2	13 3/16	1	15/16
7	8	14 3/16	1 1/16	1 3/8
8	9 3/16	16 1/4	1 1/4	1 5/8

GUARDRAIL GENERAL NOTES

- STEEL BEAM GUARDRAIL WITH STEEL POSTS SHALL BE USED ON THIS PROJECT. KEEP IN ACCORDANCE WITH SUBSECTION 621.03.
- ESTIMATED QUANTITIES OF ITEMS 608.25 ALL PURPOSE EXCAVATOR RENTAL, TYPE I; 608.37 TRUCK RENTAL; AND 608.40 LOADER RENTAL, TYPE I; ARE INCLUDED FOR THE PROVISION OF CONSTRUCTING GUARDRAIL END SECTION FLARES WITH EXCAVATED MATERIAL. AN ESTIMATED QUANTITY OF ITEM 203.30 EARTH BORROW HAS BEEN INCLUDED IN THE CASE THAT THE DITCHING MATERIAL IS NOT SUITABLE TO USE IN THE GUARDRAIL END SECTION FLARE AREA. 25 CUBIC YARDS OF EARTH MATERIAL HAS BEEN ESTIMATED FOR EACH NEW GUARDRAIL END SECTION FLARE. ITEM 653.20 TEMPORARY EROSION MATTING SHALL BE PLACED ON ALL SLOPES CREATED BY THE GUARDRAIL END SECTION FLARE. THE QUANTITIES INCLUDED REFLECT 25 SY OF ITEM 653.20 TEMPORARY EROSION MATTING FOR EACH NEW GUARDRAIL END SECTION FLARE.

PROJECT NAME:	STATEWIDE SOUTHEAST REGION
PROJECT NUMBER:	STP HRRR(6)
FILE NAME:	I0K020_wrk.dgn
PROJECT LEADER:	JLS
DESIGNED BY:	NLA
INDEX OF SHEETS & GENERAL NOTES	
PLOT DATE:	04-JUN-2010
DRAWN BY:	NLA
CHECKED BY:	JLS
SHEET	2 OF 44