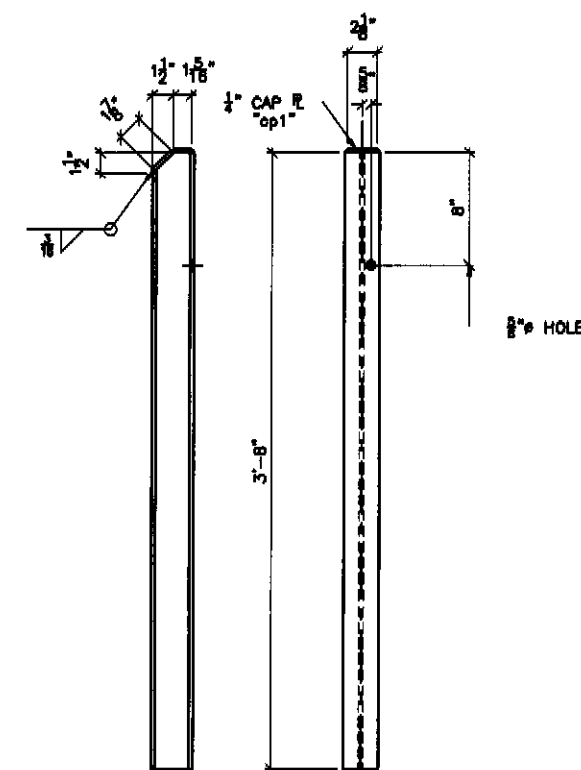
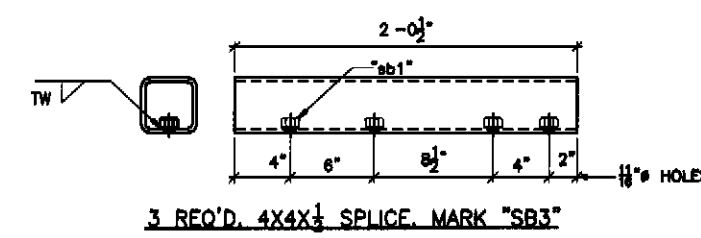


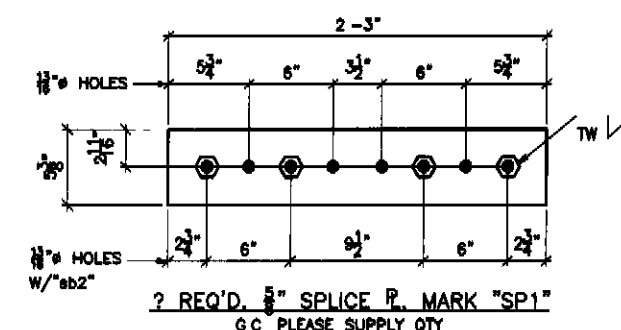
2 REQ'D S3X7.5 POSTS MARK "PT2"
O.C. PLEASE SUPPLY QTY



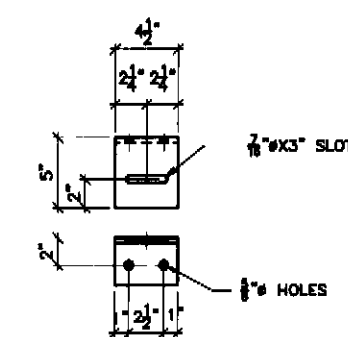
3 REQ'D S3X7.5 POSTS MARK "PT3"



3 REQ'D 4X4X1/2 SPLICE MARK "SBA"



2 REQ'D 2-3" SPLICE MARK "SP1"
O.C. PLEASE SUPPLY QTY



2 REQ'D 4X4X1/2 SPLICE MARK "CA1"
O.C. PLEASE SUPPLY QTY

BILL OF MATERIAL

QTY	ITEM NO.	DESCRIPTION	LENGTH	REMARKS	UNIT
2	PT2	S3X7.5 POST	5'-0"		
3	PT3	S3X7.5 POST	5'-0"		
1	CA1	4X4X1/2 SPLICE MARK	0'-11"		
2	SP1	2-3" SPLICE MARK	2'-3"		
3	SBA	4X4X1/2 SPLICE MARK	2'-0"		
1	FBA1	3/8" BOLT	0'-2"		
1	FBA2	3/8" BOLT	0'-7"		
1	FBA3	3/8" BOLT	0'-12"		
12	FBA4	3/8" BOLT	0'-2"		

QTY	SIZE	LENGTH	TYPE	ITEM	REV	DATE	BY

FROM: NOT DATED OTHERWISE
 MATERIAL: AS SHOWN
 WELDS: AS SHOWN
 ELECTRICAL: PER S.P.S.
 FINISH: AS SHOWN
 SURFACE PREP: SPO-001

NO. DATE DESCRIPTION BY

ARC
 ADVANCED RESOURCES & CONST
 ENTERPRISES, INCORPORATED
 P.O. BOX 100 WASHINGTON, NC 27887
 PHONE: (919) 885-0000 - FAX: (919) 885-0004

PROJECT: BRIDGE APPROACH RAIL DETAILS CONTRACT NO.
 DATE: 3/2/09 SHEET NO. 11 OF TOTAL SHEETS (11) OF 11 SHEETS SHEET COUNT (11)
 DRAWN: JLD CHECKED: JLD DATE: 3/2/09 T. BUCK CONSTRUCTION, INC. 11