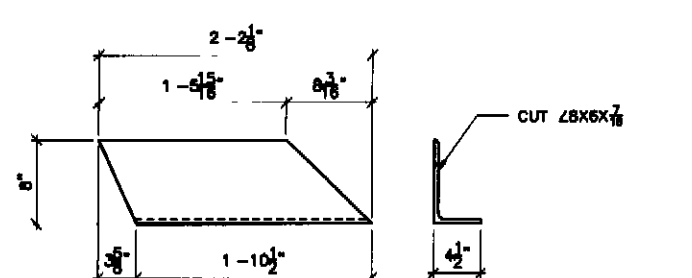


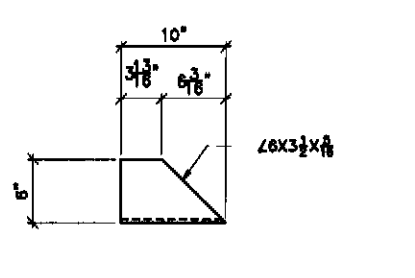
RAIL CONNECTOR DETAIL
ALL HOLES ARE TO BE FIELD DRILLED

G.C. PLEASE VERIFY ALL DETAILS AND DIMENSIONS

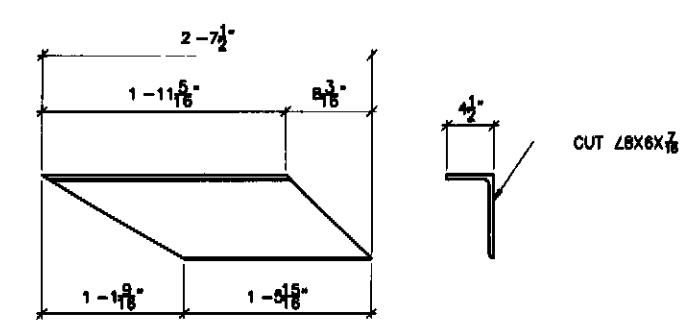
BILL OF MATERIAL						
QTY	ITEM NO.	DESCRIPTION	LENGTH	REMARKS	UNIT	MATL.
4	2CC ^R	ANGLE	0'-11"		BRACK.	
4	2CF ^R	ANGLE	2'-7"		BRACK.	
4	2CF ^L	ANGLE	0'-10"		BRACK.	
4	2CF ^R	ANGLE	2'-3"		BRACK.	
4	SPL1	SPACER	2'-0"			
16	FBI2	1/2" BOLT	0'-2"		W/ANCHOR	
32	FBI3	1/2" BOLT	0'-2"		W/ANCHOR	
32	FBI4	1/2" BOLT	0'-2"		W/ANCHOR	
20	FBI7	1/2" BOLT	0'-3"		W/ANCHOR	



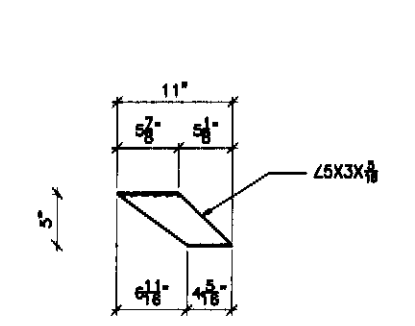
2 REQ'D "2CF^R", AS SHOWN
2 REQ'D "2CF^L", OPP HAND



2 REQ'D "2CE^R", AS SHOWN
2 REQ'D "2CE^L", OPP HAND



2 REQ'D "2CD^R", AS SHOWN
2 REQ'D "2CD^L", OPP HAND



2 REQ'D "2CC^R", AS SHOWN
2 REQ'D "2CC^L", OPP HAND

NO.	DATE	REVISIONS

ARC ADVANCED RESOURCES & CONST
 ENTERPRISES, INCORPORATED
 10, 101 100 BURNING WOOD DRIVE
 PHONE: (207) 285-3848 - FAX: (207) 285-4004

PROJECT: BRIDGE RAILING ERECTION
 DATE: 3/2/09
 DRAWN BY: T. BUCK
 CHECKED BY: T. BUCK
 DATE: 3/2/09

SHEET NO. 7 OF 7
 T. BUCK CONSTRUCTION, INC.