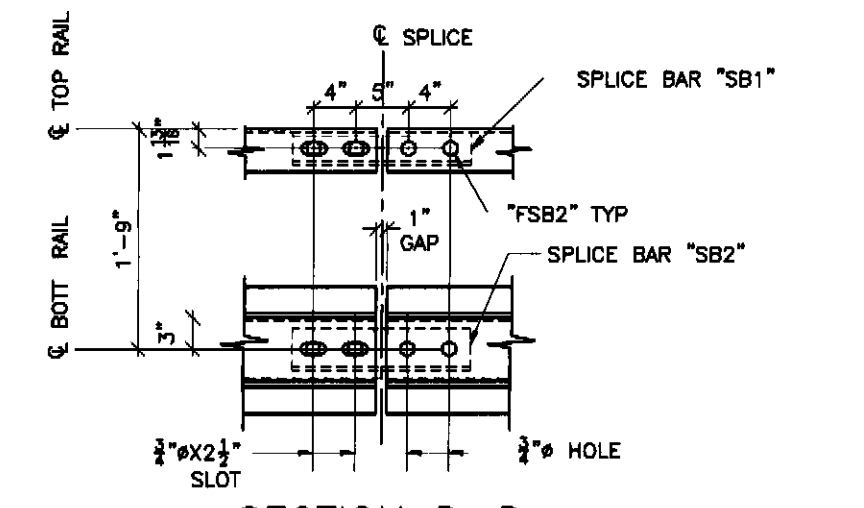
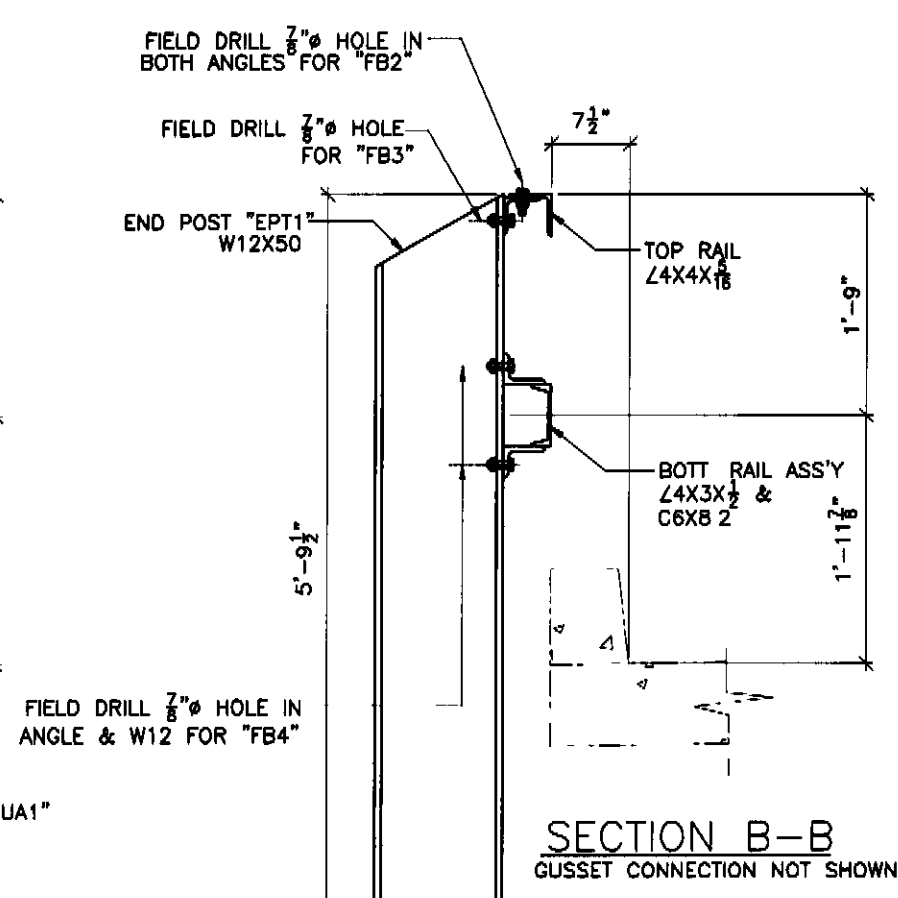
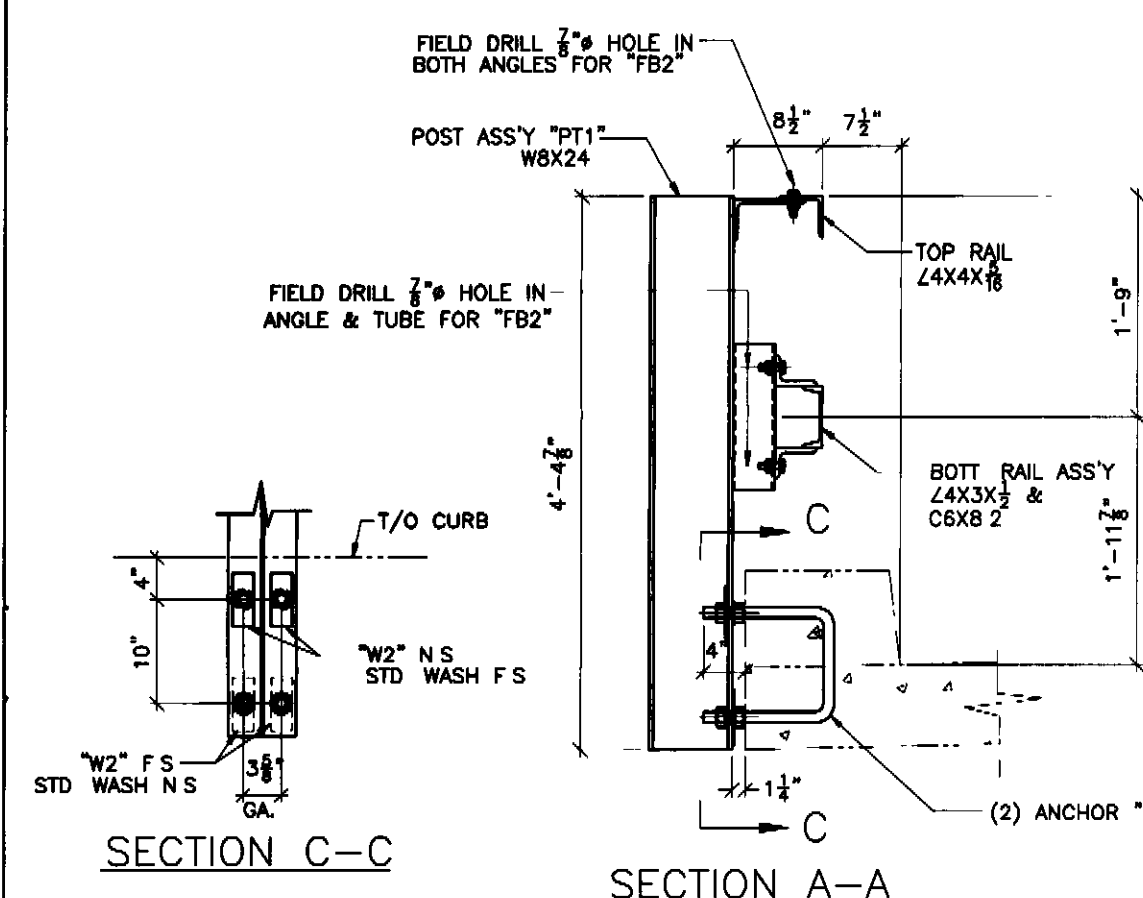


**RAILING KEY PLAN**  
POST & SPLICE SPACING TYPICAL BOTH SIDES OF BRIDGE

WORK THIS DWG. WITH DWGS 7 THRU 9



**SECTION D-D**

DATE	BY	REVISION

**ARC**  
 ADVANCED RESOURCES & CONST  
 ENTERPRISES, INCORPORATED  
 16, 201 100 BARRILL RD. SUITE 100  
 PHOENIX, AZ 85024  
 PHONE (602) 998-2664 - FAX (602) 998-2664

**PROJECT** BRIDGE RAILING DETAIL  
**DATE** 12/2/01  
**DESIGNED BY** T. BUCK  
**CHECKED BY** T. BUCK  
**DATE** 12/2/01