

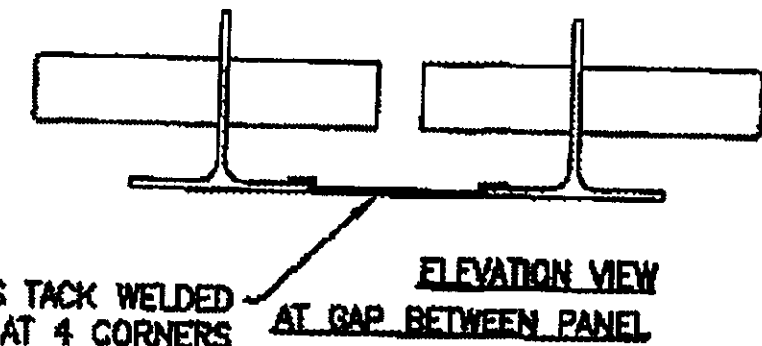
EPOXY COATED REINFORCING BAR SCHEDULE FOR ROADWAY DECKING

MARK NO.	REINFORCEMENT LOCATION	SIZE	TYPE	TOTAL NO. REQ'D.	LENGTH	COATING
D0301E	DECK LONGITUDINAL BAR CENTERED OVER FB2 THRU. FB9	#3	STR.	344	27'-6 1/2"	EPOXY
D0302E	DECK LONGITUDINAL BAR AT ABUTMENT NO. 1	#3	STR.	43	15'-0"	EPOXY
D0303E	DECK LONGITUDINAL BAR AT ABUTMENT NO. 2	#3	STR.	43	15'-10 1/2"	EPOXY
D0401E	DECK TRANSVERSE BAR CONTINUES ACROSS ALL BAYS	#4	STR.	700	24'-1" 28'-10"	EPOXY
A0401E	DECK TRANSVERSE BAR AT ABUTMENT 2	#4	STR.	6	21'-1" 26'-10"	EPOXY
A0402E	DECK TRANSVERSE BAR AT ABUTMENT 1	#4	STR.	2	21'-1" 26'-10"	EPOXY
S0401E	STIRRUPS AT ABUTMENT 2 LENGTH NOT DISCOUNTING BENDS	#4	(A)	22	3'-11"	EPOXY
1EAS01E	DECK TRANSVERSE BAR AT ABUTMENT 1 CUT TO FIT	#5	STR.	8	22'-1" 26'-10"	EPOXY

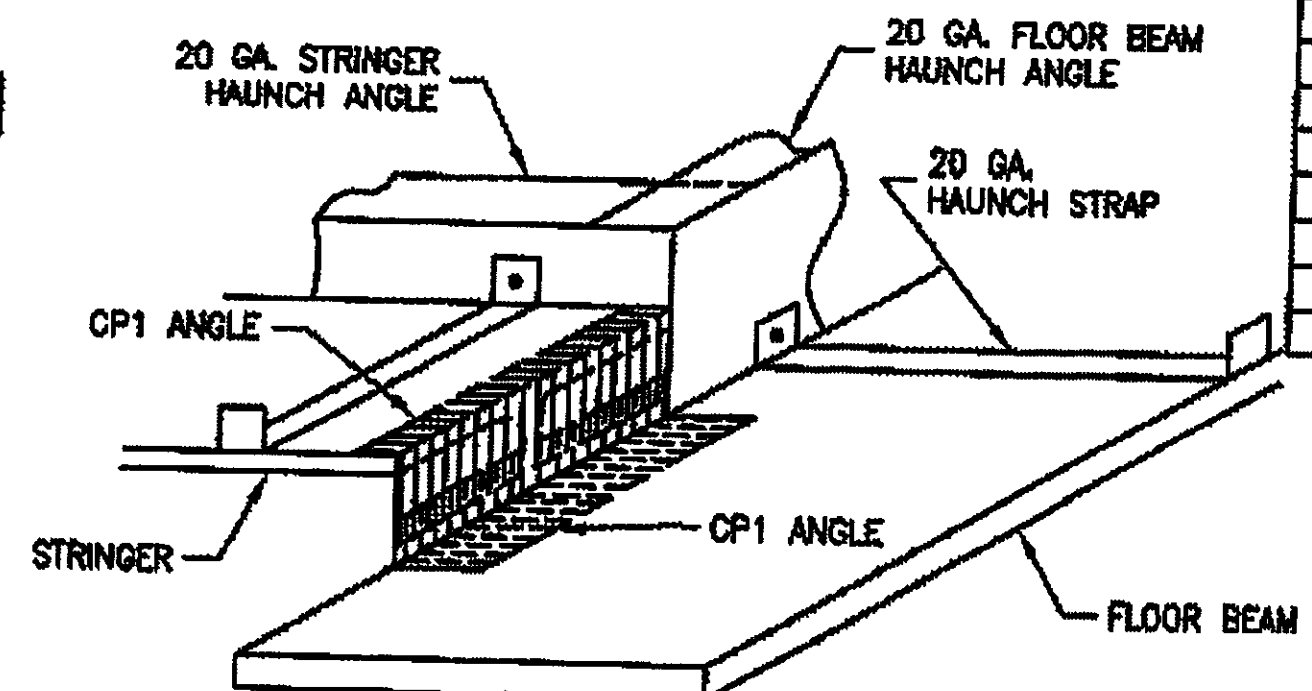
SHIPPING LIST

PIECE MARK	NO. REQ'D.	DESCRIPTION	LENGTH	REMARKS
A1 / A2	2	EXODERMIC GRID PANEL 8'-5"	21 2	GALV'D.
B1 / B2	2	EXODERMIC GRID PANEL 8'-5"	21 2	GALV'D.
C1	ONE	EXODERMIC GRID PANEL 8'-8 1/2"	21 2	GALV'D.
D1 / D7	7	EXODERMIC GRID PANEL 8'-10 1/2"	21 2	GALV'D.
E1 / E7	7	EXODERMIC GRID PANEL 7'-7"	21 2	GALV'D.
F1 / F7	7	EXODERMIC GRID PANEL 8'-10 1/4"	21 2	GALV'D.
G1	ONE	EXODERMIC GRID PANEL 8'-8 1/2"	21 2	GALV'D.
FP100	8	20 GA. FIELD FORM PANS 2 7/8	1 2 1/4	GALV'D.
FP200	12	20 GA. FIELD FORM PANS 2 7/8	5 3	GALV'D.
FP300	28	20 GA. FIELD FORM PANS 4 7/8	1 2 1/4	GALV'D.
FP400	42	20 GA. FIELD FORM PANS 4 7/8	5 3	GALV'D.
SP1	898	20 GA. GALV'D. HAUNCH STRAP	9	ALONG INTER FLOORBEAMS
SP2	152	20 GA. GALV'D. HAUNCH STRAP	10 1/2	ALONG INTER FLOORBEAMS
SP3	38	20 GA. GALV'D. HAUNCH STRAP	10 1/2	
LB1	324	3/4" LEVELING BOLTS ASSEMBLY	7	GALV'D.
TK1	1700	SMD 8-18 HW#4 ZINC PLATED	1/2	SHIP TO GALVANIZOR
TK1	4000	SMD 8-18 HW#4 ZINC PLATED	1/2	SHIP TO JOB SITE
HA1	36	20 GA. GALV'D. HAUNCH ANGLES	1 2 1/4	AT FLOORBEAMS
HA2	54	20 GA. GALV'D. HAUNCH ANGLES	5 3	AT FLOORBEAMS
HA3	360	20 GA. GALV'D. HAUNCH ANGLES	5 0	AT STRINGERS
CP1	144	20 GA. GALV'D. COVER ANGLE PAN 1" x 2"	7	AT STRINGER COPE
BH1	56	20 GA. GALV'D. BULK HEAD PAN 3"	8	AT PANEL SPLICE
BH2	20	20 GA. GALV'D. BULK HEAD PAN 10 3/8"	10 5/8	AT FLOOR BEAM ENDS

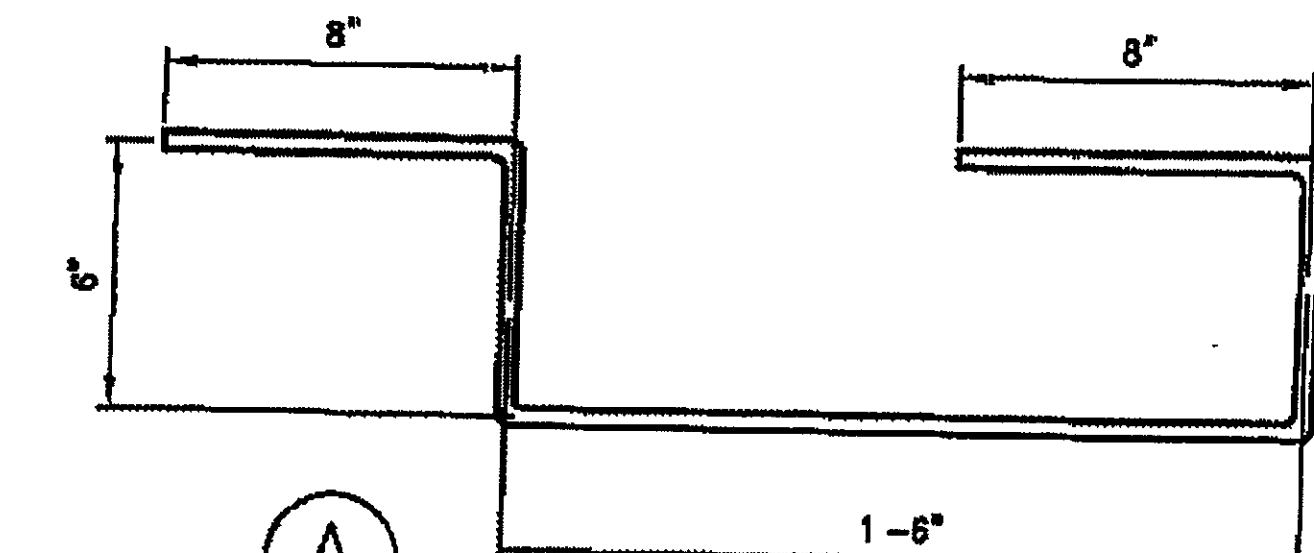
REINFORCING BAR TO BE A-615 GR. 60 EPOXY COATED (BY OTHERS)



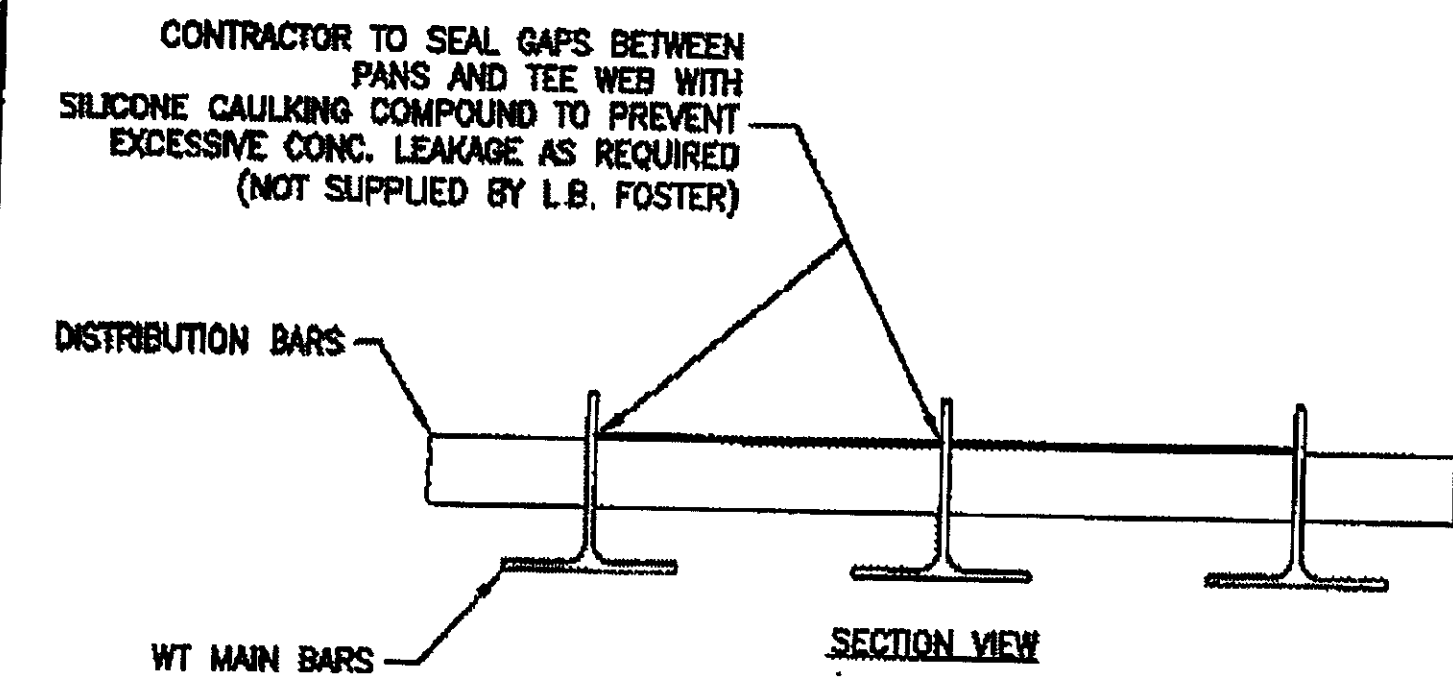
SHOP INSTALLED FULL DEPTH FORM PAN WELD DETAIL



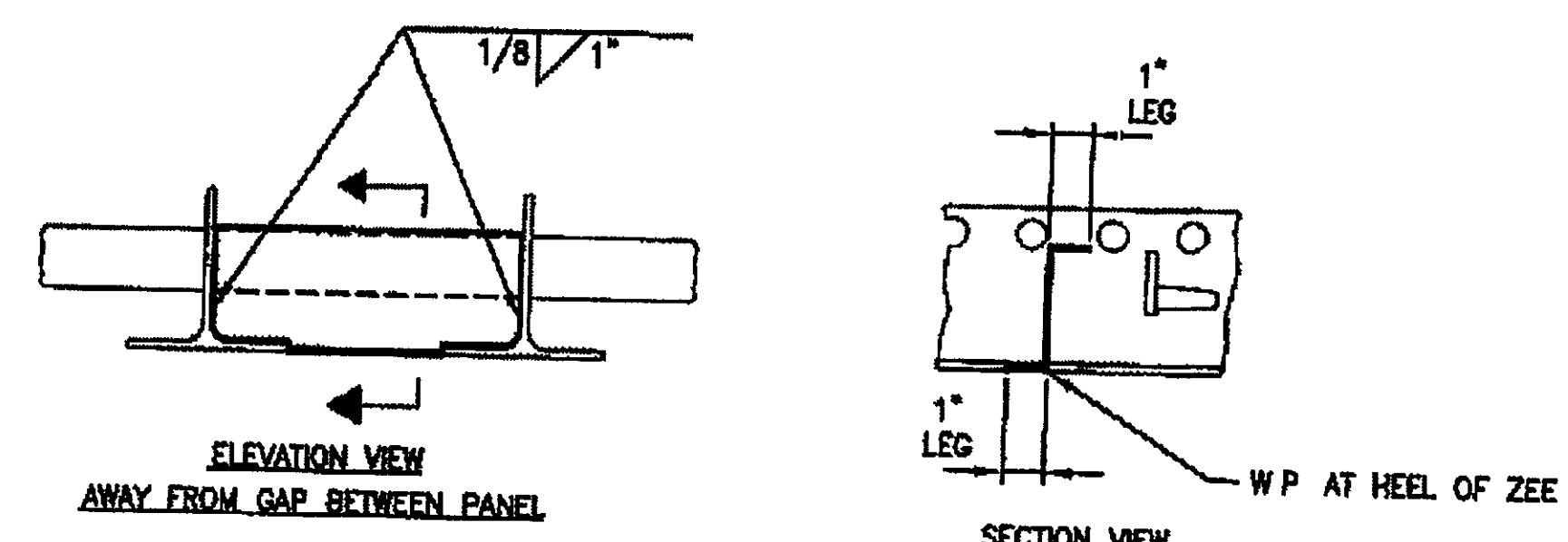
FIELD INSTALLED CP1 ANGLES
INVERT CP1'S TO FIT CONDITIONS
TEK SCREW TOGETHER ATTACH TO FLANGE



#4 STIRRUPS ~ S0401E

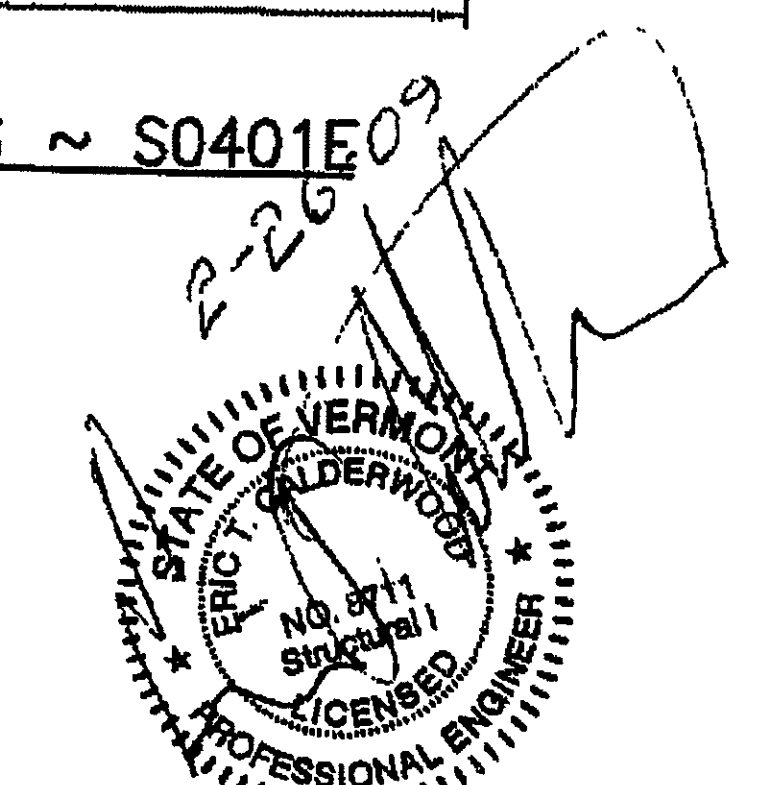


TYPICAL PAN INSTALLATION DETAILS



SHOP INSTALLED VERTICAL PAN WELD DETAIL

DATE: 3/5/7
72K



APPROVED: _____

L. B. FOSTER CO.
PITTSBURGH, PENNSYLVANIA 15220

FOR: STATE OF VERMONT
STATE OF VERMONT AGENCY OF TRANSPORTATION
TOWN OF RICHMOND HIGHWAY T.H.#1 BRIDGE #31
TOWN HIGHWAY #1 OVER WINOOSKI RIVER BHF 0209(5)
EXODERMIC FORM PAN INSTALLATION DETAILS

DATE: 01/27/09 JOB NO. SD0285

REV.	DESCRIPTION	BY	CHK	DATE